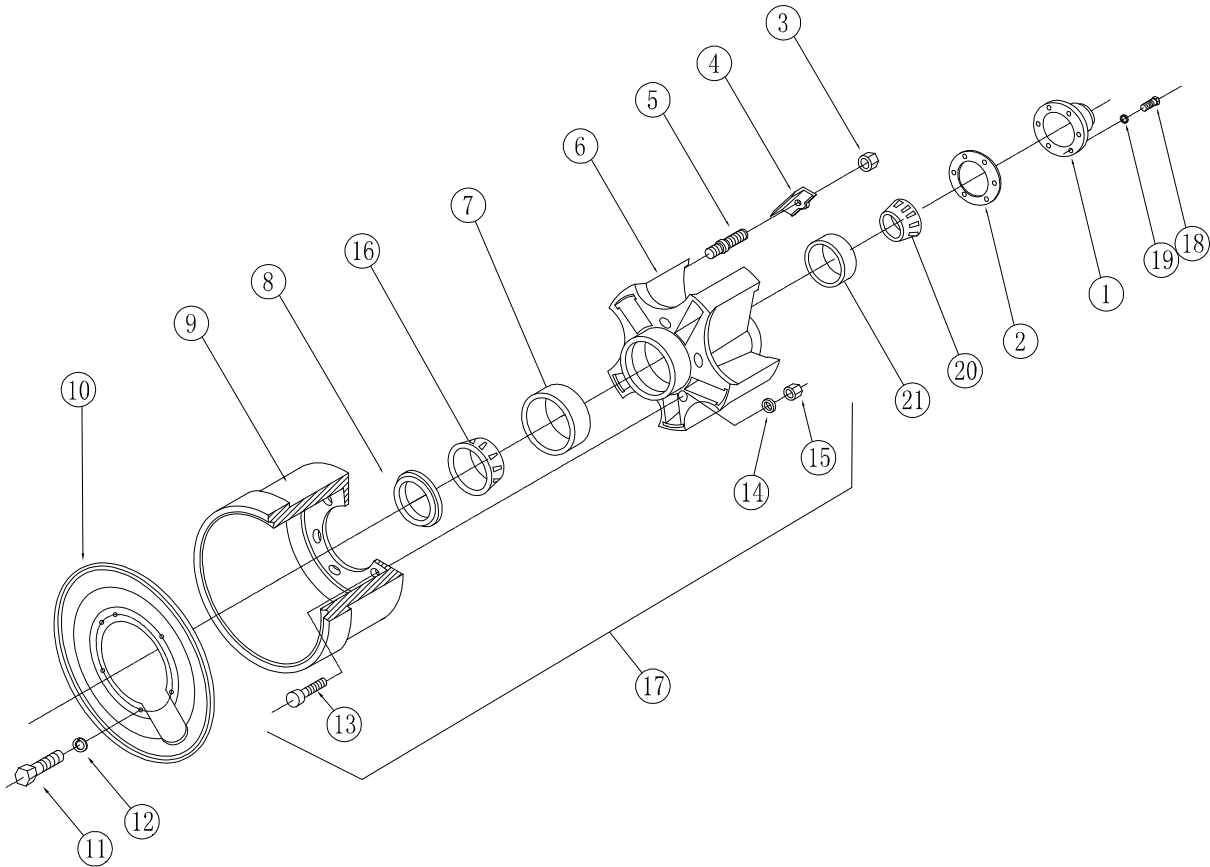




# Fuwa K HITCH (Australia) Pty Ltd

## 5 Spoke TN Axle

### Model: KF22AG14J 1820/1850 N30



<b>Item No</b>	<b>Part No</b>	<b>Description</b>	<b>Qty.</b>
1	KHALU01	HUB CAP ALUMINIUM	2
2	KH3303118	Gasket	2
3	KH800098	WHEEL NUT SPIDER	10
4	KH800146	WHEEL CLAMP SHORT	10
5	KH800106	WHEEL STUD SPIDER	10
6	KH3601/GF	SPIDER HUB 5 SPOKE	2
7	HM218210	BEARING CUP INNER	2
8	KH46305	GREASE/OIL SEAL	2
9	KH3602/GF	BRAKE DRUM INBOARD	2
10	KH800107	DUST COVER	2
11	KH800016	BOLT DUST COVER	12
12	KH800055	SPRING WASHER	12
13	KH800105	BOLT HUB/DRUM	10
14	KH800088	WASHER HUB/DRUM	10
15	KH800097	NUT HUB/DRUM	10
16	HM218248	BWARING CONE INNER	2
17	KH3600/GF	HUB/DRUM ASSEMBLY 5 SPOKE TN	2
18	KH800122	BOLT HUB CAP	12
19	KH800055	SPRING WASHER HUB CAP	12
20	HM212049	BEARING CONE OUTER	2
21	HM212011	BEARING CUP OUTER	2