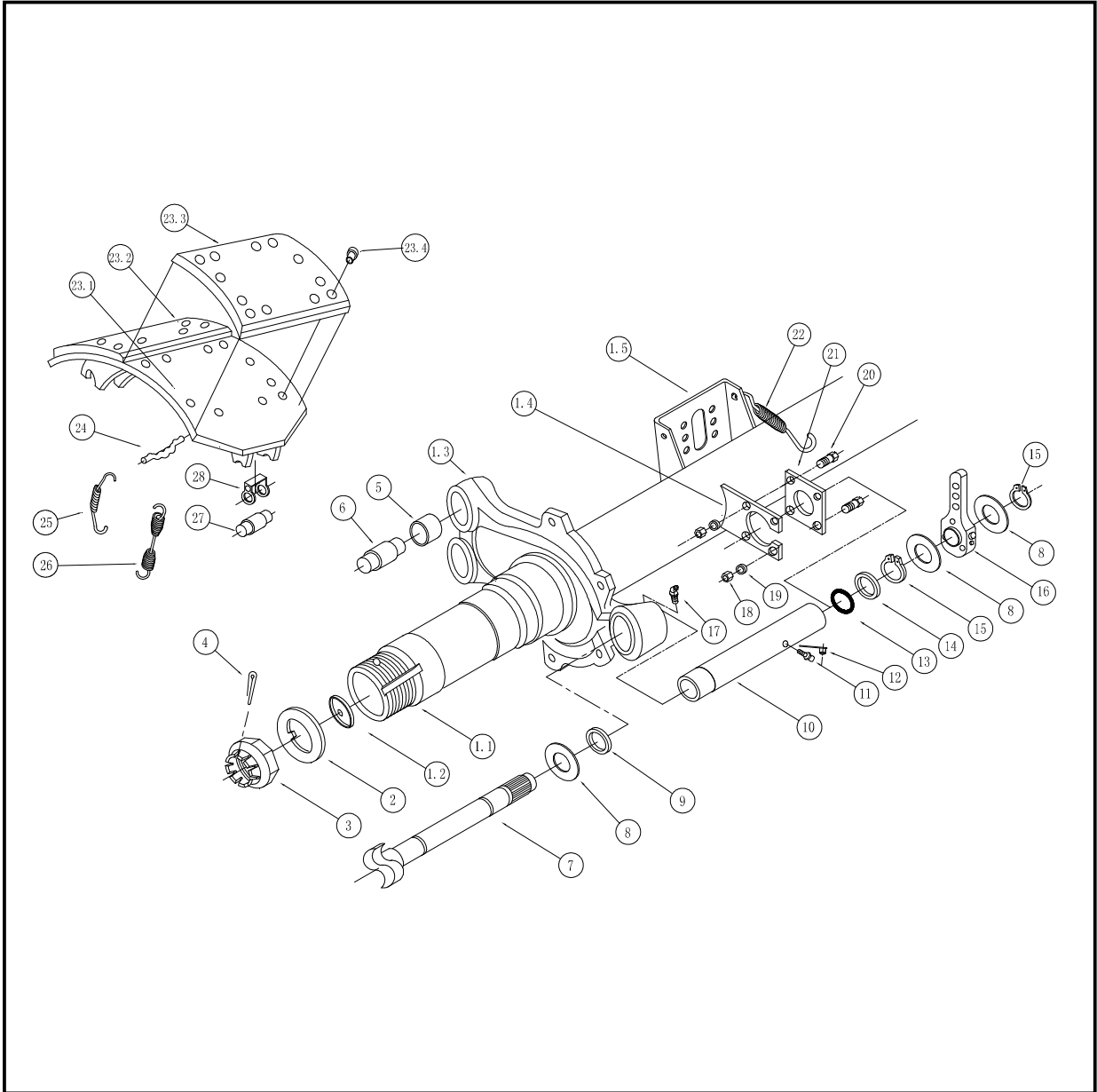




# Fuwa K HITCH (Australia) Pty Ltd

## AXLE PARTS FOR TP BEAM 1820/1850 TRACK.





# Fuwa K HITCH (Australia) Pty Ltd



## AXLE PARTS FOR TP BEAM 1820/1850 TRACK.

ITEM NO.	PART NUMBER	DESCRIPTION	QTY
1	KF27BH10M1850N	AXLE BEAM BARE NO BRACKETS	1
	KF22BX12X1850N30	AXLE BEAM & CAM ONLY TP/GP	1
	KF22BX13X1850N30	AXLE BEAM&BRAKE ASSY TP/GP	1
1.2	KH800025	PLUG AXLE (N/S)	2
1.3	KH3201-7382	BRAKE SPIDER (N/S)	2
1.4	KH3204-3002	CAM SHAFT BRACKET (N/S)	2
1.5	KH800151	BOOSTER BRACKET	2
2	KH800021	WASHER THRUST AXLE	2
3	KH800020	AXLE NUT HD	2
4	KH800040	PIN AXLE NUT	2
5	KH800038	BUSH ANCHOR PIN	4
6	KH3002-2001	ANCHOR PIN	4
7	KH3304-0517L	LH CAMSHAFT GP 11/2 10SPL	1
7	KH3304-0517R	RH CAMSHAFT GP 11/2 10SPL	1
8	KH800033	CAMSHAFT WASHER	2
9	KH3957-0038	SEAL	2
10	KH3310-3038	CAM TUBE GP LONG	2
11	KH800003	GREASE NIPPLE	2
12	KH800113	GREASE NIPPLE COVER	2
13	KH800049	ORING	2
14	KH3010-1505	CAM SHAFT WASHER	2
15	KH800035	RETAINING RING	4
16	KH3800-2001	SLACK ADJUSTER 10SP 3 HOLE	2
17	KH800039	GREASE NIPPLE 90	2
18	KH889-08	NUT.CAM TUBE BRKT	8
19	KH95-08	FLAT WASHER	8
20	KH5782-0830	BOLT CAM TUBE BKT	8
21	CTGPP	CAM TUBE PLATE GP	2
22	KH800112	SLACK ADJ RTN SPRING	2
23	KH3500-6701	BRAKE SHOE ASSY GP Q	4
23.1	KH3501-6701	SHOE UNLINED GP	4
23.2	KHNA100	LINING SET 420X180	
23.4		RIVETS	
23.5	KH800030	PIN RTN SPRING	4
24	KH800027	SPRING ANCHOR PIN	4
25	KH800026	RETURN SPRING	2
26	KH800028	BRAKE SHOE ROLLER	4
27	KH800029	ROLLER RETAINER	4