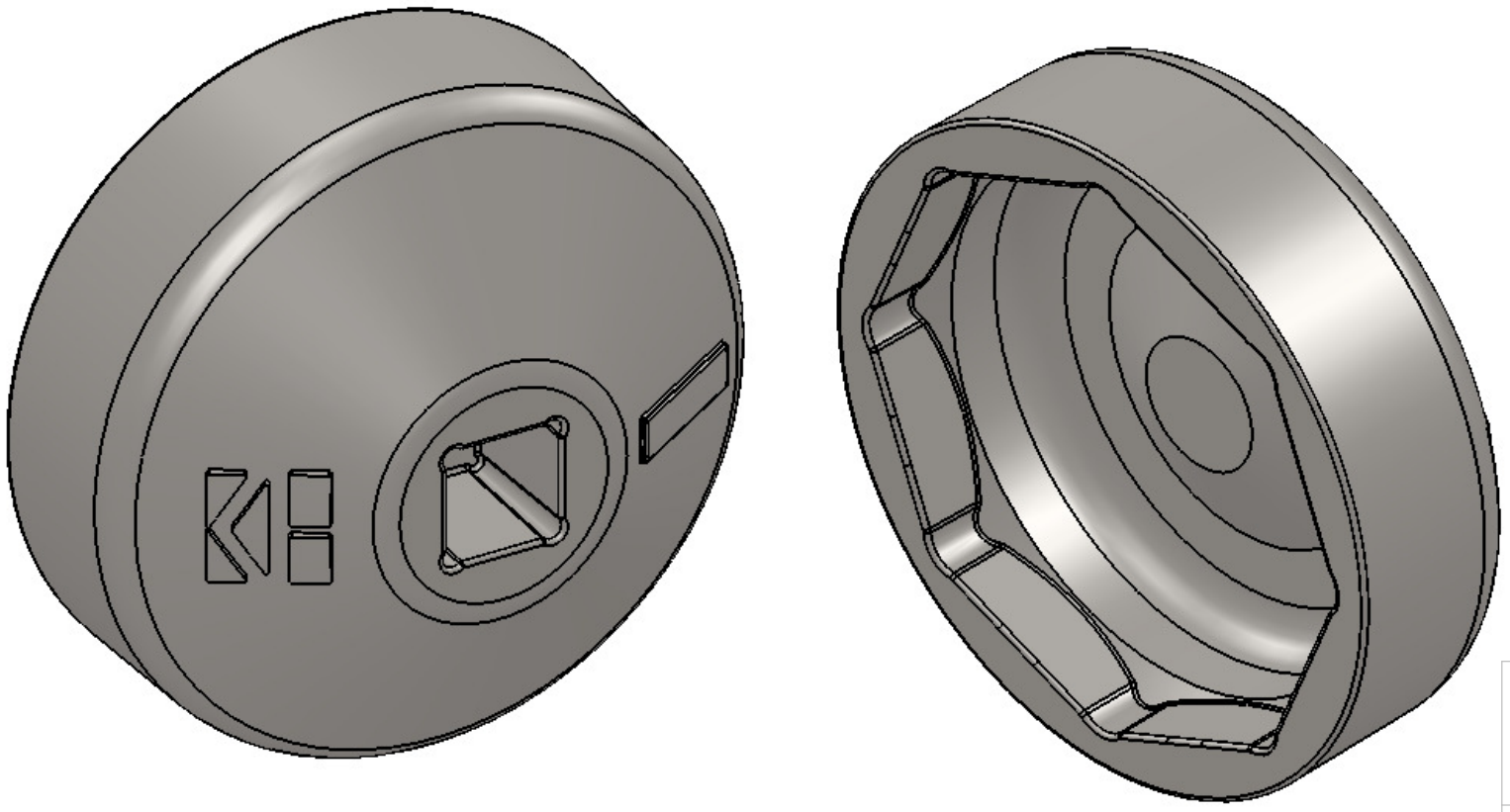


SECTION A-A

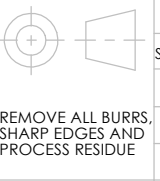


This Print remains the property of Fuwa K HITCH PtyLtd. All information contained thereon is confidential. It is loaned, subject to return on demand and on express condition that it is not to be copied or used directly or indirectly for any purpose other than the purpose for which it has been loaned to you.



**Fuwa K HITCH**  
PTY LTD  
13-21 Bliss Court RD  
Derrimut VIC 3030  
Copyright 2009

P/N: FHT-001  
Tolerance is standard unless otherwise stated  
P/N: FHQ-002  
Quality notes



MATERIAL:	see notes
SURFACE FINISH:	see notes
WEIGHT:	3.8812kg
BOM:	-
Project No.	Revision Level:
Part No.	SCALE:1:1.5

	NAME	SIGNATURE	DATE
DRAWN	D.R		9-09-10
CHKD	Z.L		9-09-10
APPVD			

Description:

**Socket - Unifised Bearing Nut**

**1011-001-REF**  
A3  
SHEET 1 OF 1