



FUWA K HITCH (Australia) Pty Ltd

ABN 54 078 731 209

**Head Office
Melbourne**
13-21 Bliss Court
Derrimut VIC 3030
Tel. 03 9369 0000
Fax. 03 9369 0100

Queensland
41 Moreton
Heathwood Qld 4110
Tel. 07 3372 2223
Fax. 07 3372 1022

Perth
77B Kurnall Road
Welshpool WA 6106
Tel. 08 9350 6470
Fax. 08 9350 6570

SALES SPEC SHEET

eLEG

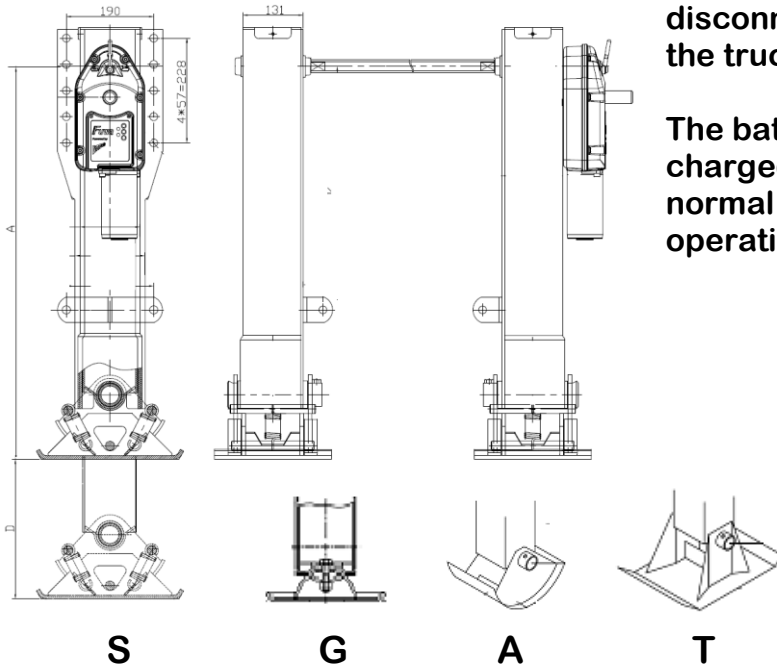
The **FUWA K Hitch** electrically motorised KH37 landing leg (**eLEG**) is manufactured to the latest standards and manufacturing processes.

It is a two-speed design and is available with different feet and different travel.

The self-contained battery (including charger), is able to provide power to the electric motor even when the trailer is

disconnected from the truck.

The battery is then charged again when normal driving operations resume.



Model Code	Load Capacity		Speed High (cm/min)	Travel (D) (mm)	A (mm)	Weight (kg, all inclusive)	Feet Options**
	Static (t)	Lift (t)					
FW3714	60	25	34	355	T Foot 707	120-135	T, G
FW3717	60	25	34	430	S Foot 815	120-135	A, S
FW3719	60	25	34	480	S Foot 855	138.8***	T, S

** Other than the G foot, the other feet are interchangeable.

*** S Foot, Battery, Battery Box, Cross shaft, Slave leg



FUWA K HITCH (Australia) Pty Ltd

ABN 54 078 731 209

Head Office

Melbourne

13-21 Bliss Court
Derrimut VIC 3030
Tel. 03 9369 0000
Fax. 03 9369 0100

Queensland

41 Moreton
Heathwood Qld 4110
Tel. 07 3372 2223
Fax. 07 3372 1022

Perth

77B Kurnall Road
Welshpool WA 6106
Tel. 08 9350 6470
Fax. 08 9350 6570

LANDING LEG SERVICE INFORMATION

BULLETIN NUMBER	TOPIC	DESCRIPTION
KPW-002-0110	Warranty	Limitation of Liabilities
KPW-004-0110		LGL's
KPM-001-0110		Claim Form
KPM-001-0714	Installation	Installation. Maintenance & Service Bulletin
KPS-003-0113	Parts	Parts View
KPM-001-0714	Maintenance	Installation. Maintenance & Service Bulletin

Bulletins:

All Bulletins are on: www.khitch.com.au

...or call FKH at your nearest location.

