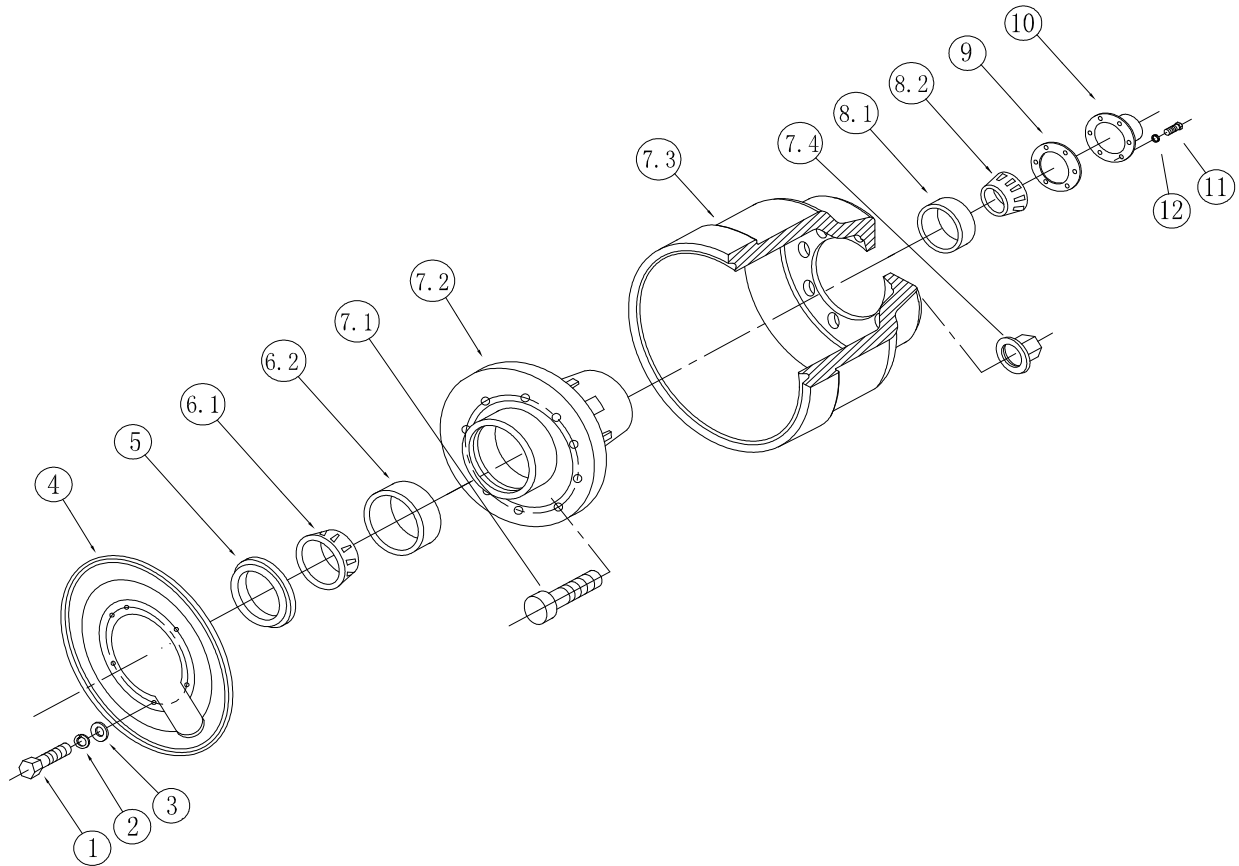




Fuwa K HITCH (Australia) Pty Ltd
10 STUD X 285PCD ISO STANDARD
MODEL KF22AG15K/L 1820/1850N30



ITEM NO	PART NO	DESCRIPTION	QTY.
1	KH800016	BOLT DUST COVER	12
2	KH800055	SPRING WASHER DUST COVER	12
3	KHT9508	FLAT WASHER DUST COVER	12
4	KH800107	DUST COVER	2
5	KH46305	GREASE/ OIL SEAL	2
6.1	HM218248	BEARING CONE INNER	2
6.2	HM218210	BEARING CUP INNER	2
7	KH3600-3008 KH3600-3008Z	HUB & DRUM ASSY 10ST 285 SHORT STUD HUB & DRUM ASSY 10 ST 285 LONG STUD	2 2
7.1	KH800239	STUD WHEEL LONG ISO	20
7.1A	KH800104	STUD WHEEL SHORT ISO	20
7.2	KH3601-3010 KH3601-3010Z	HUB 10STUD 285PCD ISO SHORT STUD HUB 10 STUD 285PCD ISO LONG STUD	2 2
7.3	KH3602-0303	DRUM 10X 285 PCD ISO 420X180 BRAKE	2
7.4	KH800096	WHEEL NUT ISO M22	20
8.1	HM212011	BEARING CUP OUTER	2
8.2	HM212049	BEARING CONE OUTER	2
9	KH3303118	GASKET	2
10	KHALU01	HUB CAP ALUMINUM	2
11	KH800122	BOLT HUB CAP	12
12	KH800055	SPRING WASHER HUB CAP	12