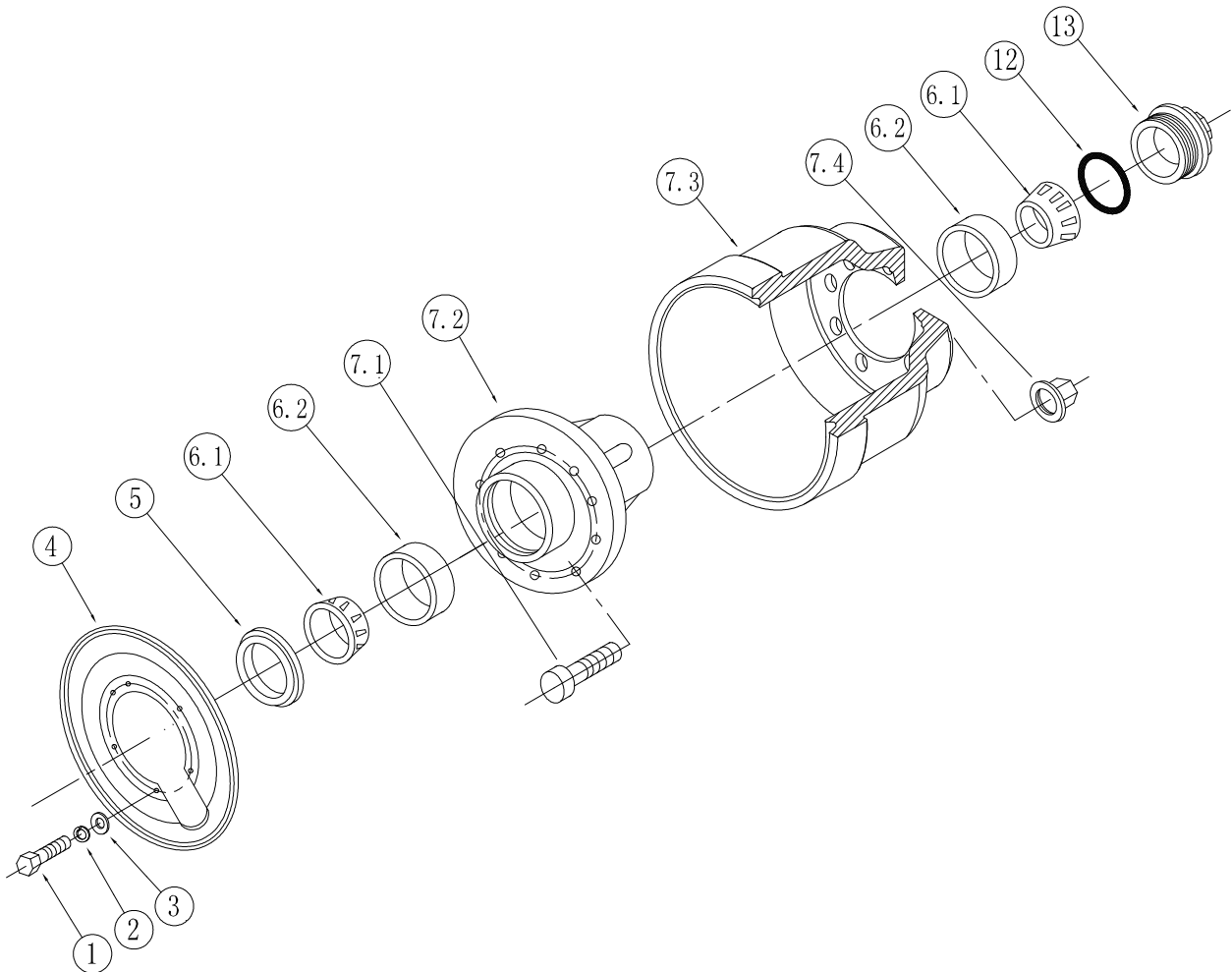




**Fuwa K HITCH (Australia) Pty Ltd**  
**10 STUD X 285PCD – TP - ISO STANDARD**  
**MODEL: KF22BG15K/L 1820/1850N30**



ITEM NO.	PART NUMBER	DESCRIPTION	QTY
1	KH800016	BOLT DUST COVER	12
2	KH800055	SPRING WASHER D/COVER	12
3	KHT9508	FLAT WASHER D/COVER	12
4	KH800107	DUST COVER	2
5	KH42623	SEAL	2
6		BEARING COMPLETE	4
6.1	HM518445	CONE BEARING	4
6.2	HM518410	CUP BEARING	4
7	KH3600-0303 KH3600-0303Z	HUB/DRUM 10/285 SHORT ST HUB/DRUM 10/285 LONG ST	2 2
7.1	KH800239 KH800104	STUD M22 LONG STUD M22 SHORT	20 20
7.2	KH3601-0302 KH3601-0302Z	HUB 10X285 ISO SHORT ST HUB 10X285 ISO LONG ST	2 2
7.3	KH3602-0303	DRUM 10X285 PCD	2
7.4	KH800096	NUT M22	20
12	KH800049	ORING HUBCAP	2
13	KH800205	CHROME HUB CAP	2