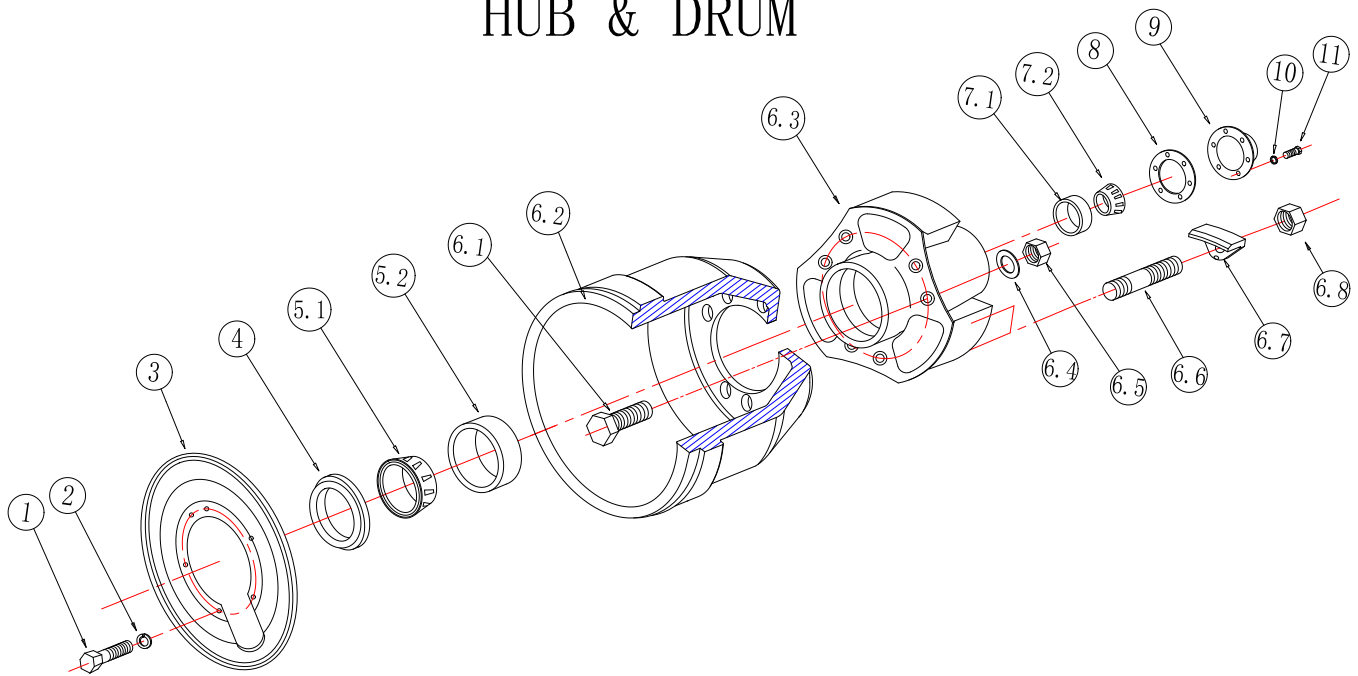


15" AXLE COMPONENTS - (311x190)

HUB & DRUM



ITEM NO.	PART NO.	DESCRIPTION	QTY
1	3901	M8x16 HEX BOLT	8
2	3902	LOCK WASHER	8
3	3003-2002A	DUST SHIELD	2
4	3957/F	SEAL OIL ϕ 108	2
5	3951/C	BEARING	2
5.1	3951/C1	BEARING CONE - HM218248	2
5.2	3951/C2	BEARING CUP - HM218210	2
6	001-70003	HUB & DRUM ASS'Y (KIC:001-70003)	2
6.1	001-00144	5/8"-50-10UNC-2A	12
6.2	001-70003	DRUM	2
6.3	52743-11	HUB	2
6.4	3605-2503	WASHER	12
6.5	001-00143	5/8"-10UNC-2B NUT	12
6.6	001-00114	3/4"-80-10UNC-2A	12
6.7	3606-2503	RIM CLAMPS	12
6.8	3608/F	3/4"-10UNC-2B NUT	12
7	3951/D	BEARING	2
7.1	3951/D1	BEARING CONE - HM212049	2
7.2	3951/D2	BEARING CUP - HM212011	2
8	3958-6515	GASKET	2
9	3013-6515	HUB CAP	2
10	T8622-08	SHAKEPROOF WASHER	12
11	3911/F	5/16"x20 BOLT HEX	12

15" AXLE COMPONENTS

**FUWA K HITCH
AUSTRALIA
PTY. LTD.**

THIS DRAWING AND ALL INFORMATION ON THIS
DRAWING IS THE PROPERTY OF: FUWA K HITCH
AUSTRALIA PTY LTD. AND MAY NOT BE COPIED IN
ANY WAY OR FORM WITHOUT THE WRITTEN
CONSENT OF: FUWA K HITCH AUSTRALIA PTY LTD.