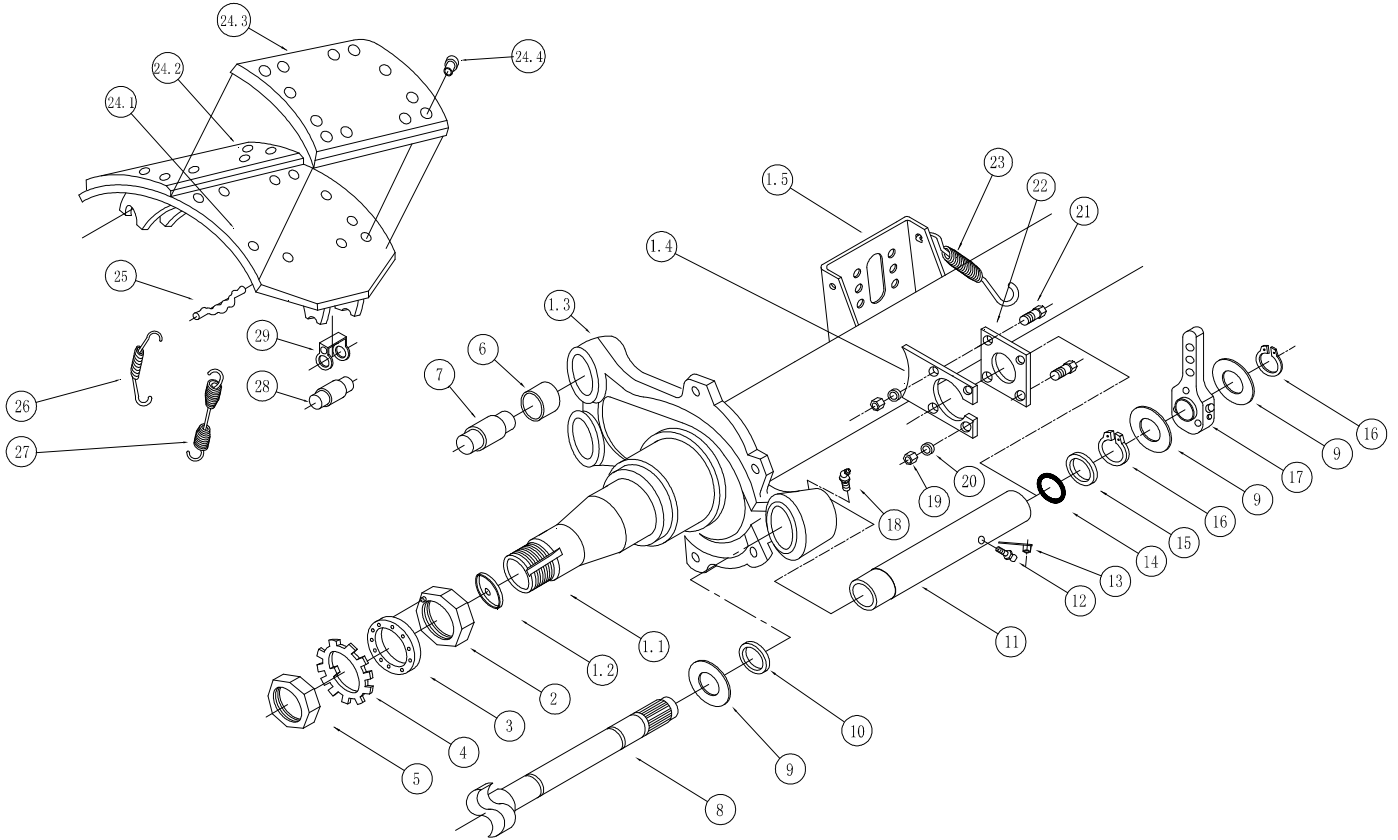




# Fuwa K HITCH (Australia) Pty Ltd

## AXLE PARTS FOR TN BEAM 1820/1850 TRACK.



ITEM NO	PART NO	DESCRIPTION	QTY
1	KF22AX13X1820N30	BEAM & BRAKE ASSEMBLY ONLY TN GP 1820 TRACK	1
1A	KF22AX13X1850N30	BEAM & BRAKE ASSEMBLY ONLY TN GP 1850 TRACK	1
1.1	KF22AX12X1820N30	BEAM & CAM ONLY TN GP 1820 TRACK	1
1.1A	KF22AX12X1850N30	BEAM & CAM ONLY TN GP 1850 TRACK	1
1.2	KH800156	PLUG AXLE BEAM	2
1.3	KH3201-7382	BRAKE SPIDER	2
1.4	KH3204-3002	CAM SHAFT BRACKET	2
1.5	KH800151	BOOSTER BRACKET ROUND AXLE	2
2	KH800109	AXLE NUT INNER	2
3	KH800108	WASHER AXLE NUT	2
4	KH800123	WASHER AXLE LOCK NUT	2
5	KH800111	AXLE NUT OUTER	2
6	KH800038	ANCHOR PIN BUSH OFFSET	4
7	KH3002-2001	ANCHOR PIN BRAKE SHOE GP	4
8	KH3304-0517L	CAM SHAFT 10 SPLINE GP LONG L/HAND	1
8.1	KH3304-0517R	CAM SHAFT 10 SPLINE GP LONG R/HAND	1
9	KH800033	CAM SHAFT SPACER WASHER	8
10	KH3957-0038	SEAL CAM TUBE	2
11	KH3310-3038	CAM TUBE LONG	2
12	KH800003	GREASE NIPPLE STRAIGHT	2



# Fuwa K HITCH (Australia) Pty Ltd

## AXLE PARTS FOR TN BEAM 1820/1850 TRACK.



ITEM NO	PART NO	DESCRIPTION	QTY
13	KH800113	GREASE NIPPLE PLUG	2
14	KH3955-2003	O-RING CAM TUBE	2
15	KH3010-1505	CAM SHAFT WASHER	2
16	KH800035	CIRCLIP CAM SHAFT END & S/ADJUSTER END	4
17	KH3800-2001	SLACK ADJUSTER 10 SPLINE 3 HOLE GP	2
18	KH800039	GREASE NIPPLE 90 DEGREE	2
19	KH889-08	NUT CAM TUBE BRACKET	8
20	KH95-08	FLAT WASHER CAM TUBE BRACKET	8
21	KH5782-0830	BOLT CAM TUBE BRACKET	8
22	CTGPP	CAM TUBE PLATE GP	2
23	KH800112	SLACK ADJUSTER RETURN SPRING	2
24	KH3500-6701	BRAKE SHOE ASSEMBLY GP Q LINED	4
24.1	KH3501-6701	BRAKE SHOE ONLY GP Q UNLINED	4
24.2/3	KHNA100	LINING 420X180 SET	1
24.4		RIVET SUPPLIED IN LINING KIT	
25	KH800030	PIN RETURN SPRING	4
26	KH800027	SPRING ANCHOR PIN	4
27	KH800026	RETURN SPRING	2
28	KH800028	ROLLER BRAKE SHOE	4
29	KH800029	ROLLER RETAINER	4

