



FUWA K HITCH (Australia) Pty Ltd

ABN 54 078 731 209

Head Office

Melbourne

13-21 Bliss Court

Derrimut VIC 3030

Tel. 03 9369 0000

Fax. 03 9369 0100

Queensland

41 Moreton

Heathwood Qld 4110

Tel. 07 3372 2223

Fax. 07 3372 1022

Perth

77B Kurnall Road

Welshpool WA 6106

Tel. 08 9350 6470

Fax. 08 9350 6570

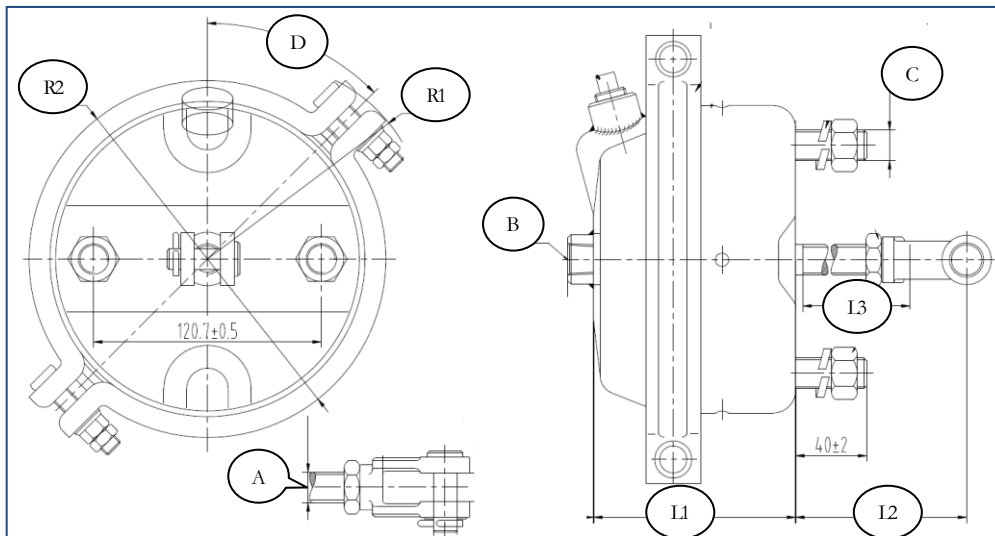
SALES SPEC SHEET

AIR BRAKE CHAMBERS *DRUM*

The **FUWA K HITCH** distributed Air Brake Chambers are sourced from one of the most experienced and reliable manufacturer of air brake systems and related components. With over 30 years experience and certified to ISO/TS 16949, we can rely on a solid and dependable supplier.



The Air Brake Chambers are tested to the SAE J1469, SAE J11469, SAE J2318 standards and are registered at DOTARS.



PART NUMBER	STROKE (mm)	R1 (mm)	R2 (Ø mm)	L1 (mm)	L2 (mm)	L3 (mm)	A PUSH ROD	B AIR INLET	C STUD	D ANGLE	WEIGHT (kg)
KHT20	57	113	178	92	240	192	5/8-18UNF	3/8-18NPT	5/8-UNC	45°	3.3
KHT24	64	115	190	103	236	196	5/8-18UNF	3/8-18NPT	5/8-UNC	45°	4.6
KHT30	64	128	210	105	285	250	5/8-18UNF	3/8-18NPT	5/8-UNC	45°	5.1

Note: The dimensions in the table are nominal with tolerance applying.