



FUWA K HITCH (Australia) Pty Ltd

ABN 54 078 731 209

Head Office

Melbourne

13-21 Bliss Court
Derrimut VIC 3030
Tel. 03 9369 0000
Fax. 03 9369 0100

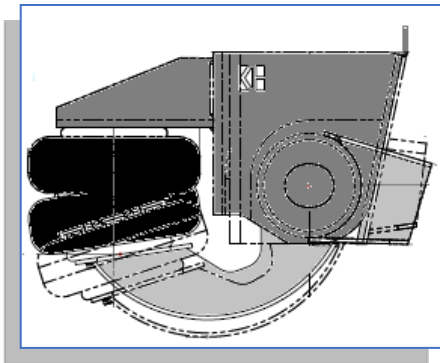
Queensland

41 Moreton
Heathwood Qld 4110
Tel. 07 3372 2223
Fax. 07 3372 1022

Perth

5 Freight Road
Kenwick WA 6107
Tel. 08 9350 6470
Fax. 08 9350 6570

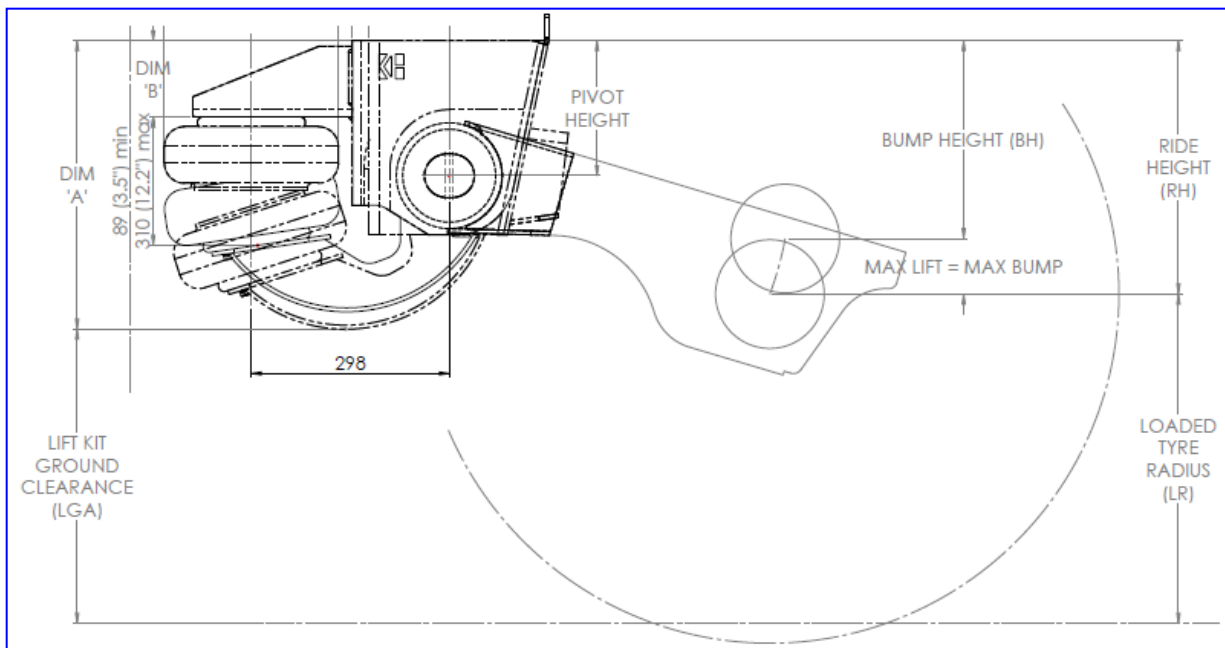
SALES SPEC SHEET AXLE LIFT



The **FUWA K Hitch** weld-on axle lift kit is developed for the KI air suspensions.

Together with the **FUWA K Hitch** air suspension, they are a proven design operating successfully in different applications.

KIS25T (wide bush) Over slung air suspensions.





FUWA K HITCH (Australia) Pty Ltd

ABN 54 078 731 209

Head Office

Melbourne

13-21 Bliss Court
Derrimut VIC 3030
Tel. 03 9369 0000
Fax. 03 9369 0100

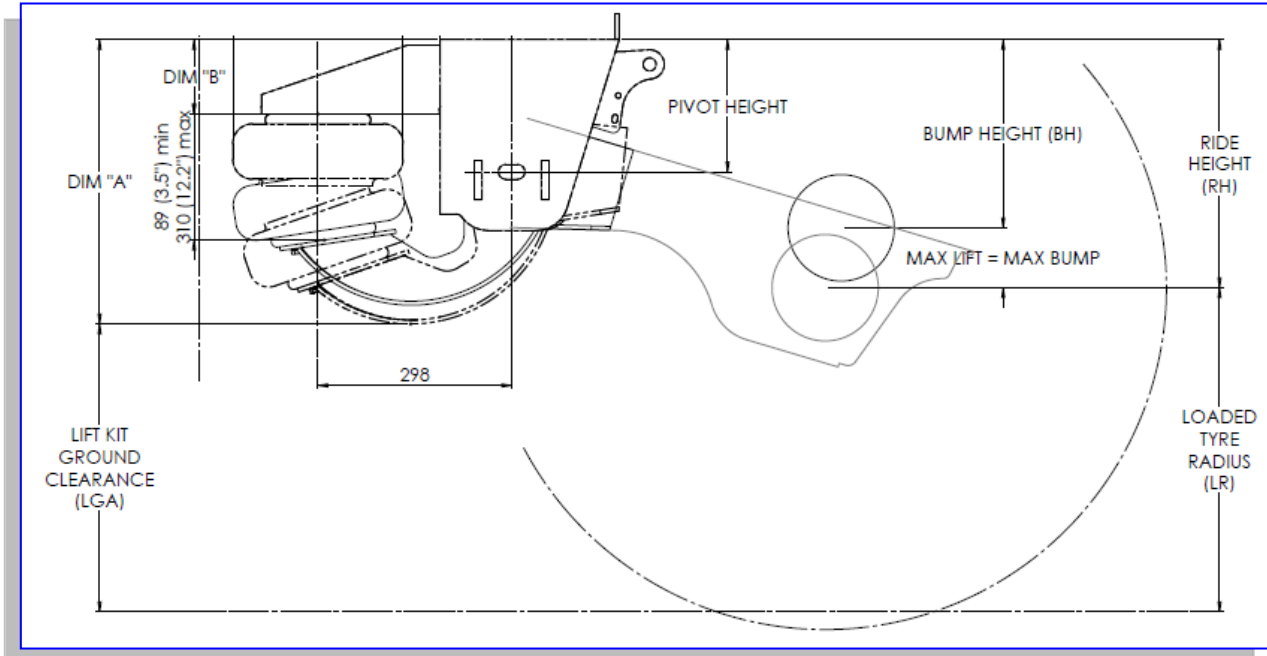
Queensland

41 Moreton
Heathwood Qld 4110
Tel. 07 3372 2223
Fax. 07 3372 1022

Perth

5 Freight Road
Kenwick WA 6107
Tel. 08 9350 6470
Fax. 08 9350 6570

KIL23T (narrow bush) Over slung air suspensions.



Check with FKH engineering when selecting a lift kit!

AXLE LIFT SERVICE INFORMATION

BULLETIN NUMBER	TOPIC	DESCRIPTION
KPW-002-0110	Warranty	Limitation of Liabilities
KPW-004-0110		LGL's
KPM-001-0110		Claim Form
KPM-001-1213 N100562-003 N100562-005	Installation	Axle Lift – Valve Load Setting Information Fuwa information drawing Fuwa information drawing
KPS-002-0619	Parts	Fuwa Parts List
KPM-001-0316 KPM-001-0214	Maintenance	Fuwa KIL Maintenance & Service Manual Fuwa KIS Maintenance & Service Manual

Bulletins:

All Bulletins are on: www.khitch.com.au

...or call FKH at your nearest location

Uncontrolled document when printed!

Bulletin KPS-002-0521