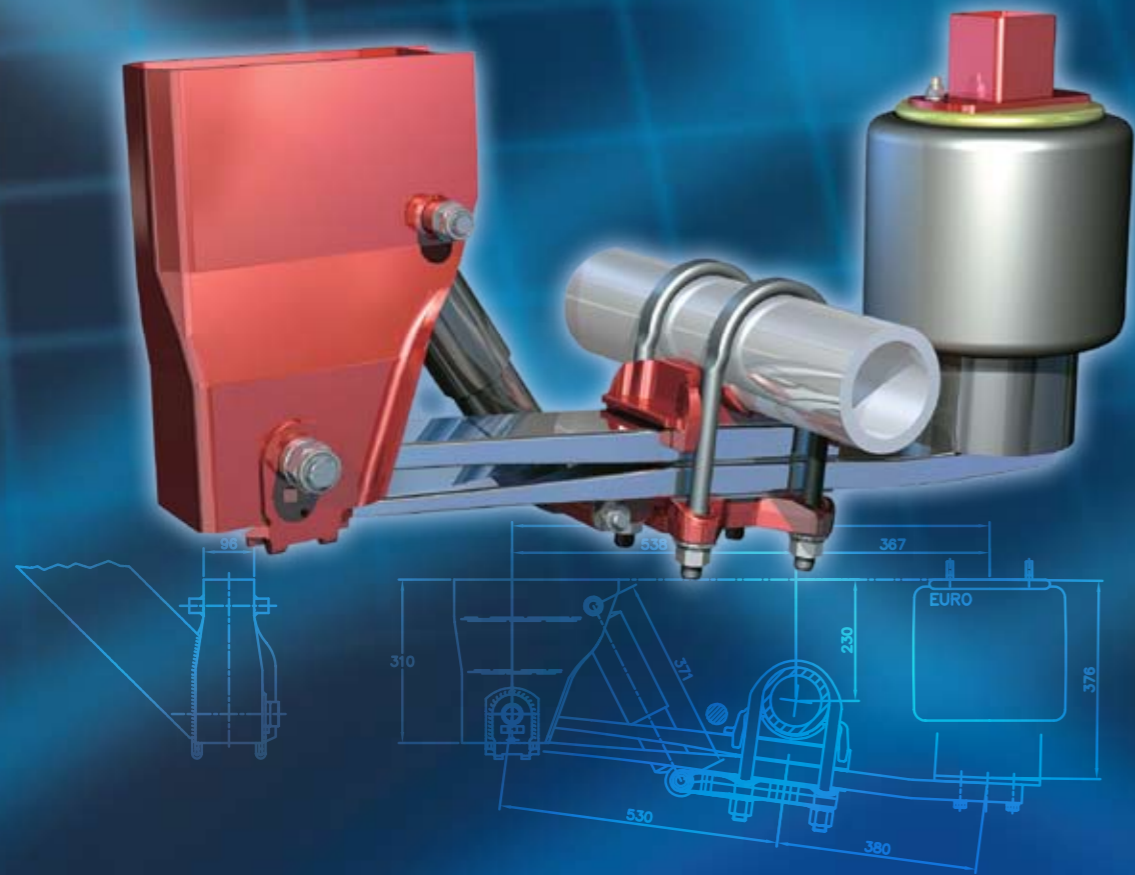


EURO SUSPENSION RANGE

3 YEARS WARRANTY ON
NON WEAR PARTS SUCH
AS HANGERS, AXLE SEATS
AND TRAILING ARMS AND
2 YEARS ON WEAR PARTS
SUCH AS SHOCK ABSORBERS,
AIR SPRINGS, PIVOT
BUSHES



FEATURES:

- Maximum axle load: 9T
- Double leaf trailing arm:
 - 1st: 100x35mm
 - 2nd: 100x35mm
- Available ride heights:
 - Underslung systems: 230-330
 - Overslung systems: 375-570

SPECIFICATIONS:

UNDERSLUNG RIDE HEIGHT RANGE

- 230-330 mm
- Trailing arm: DG (530/380)
- Air bellow: EURO (ø 300 mm)
- Offset options: 0-30-50 mm

OVERSLUNG RIDE HEIGHT RANGE

- 375-475 mm
- Trailing arm: DE (530/380)
- Air bellow: EURO (ø 300 mm)
- Offset options: 0-30-50 mm

OVERSLUNG RIDE HEIGHT RANGE

- 470-570 mm
- Trailing arm: DB (530/380)
- Air bellow: EURO (ø 300 mm)
- Offset options: 0-30-50 mm

Weweler. Leadership in suspension technology

The **EURO SUSPENSION RANGE'S** double leaves result in more stability. 9 tonne rating and developed to suit most types of on road and general purpose off road applications or vehicles with higher centre of gravity and suspended loads.

