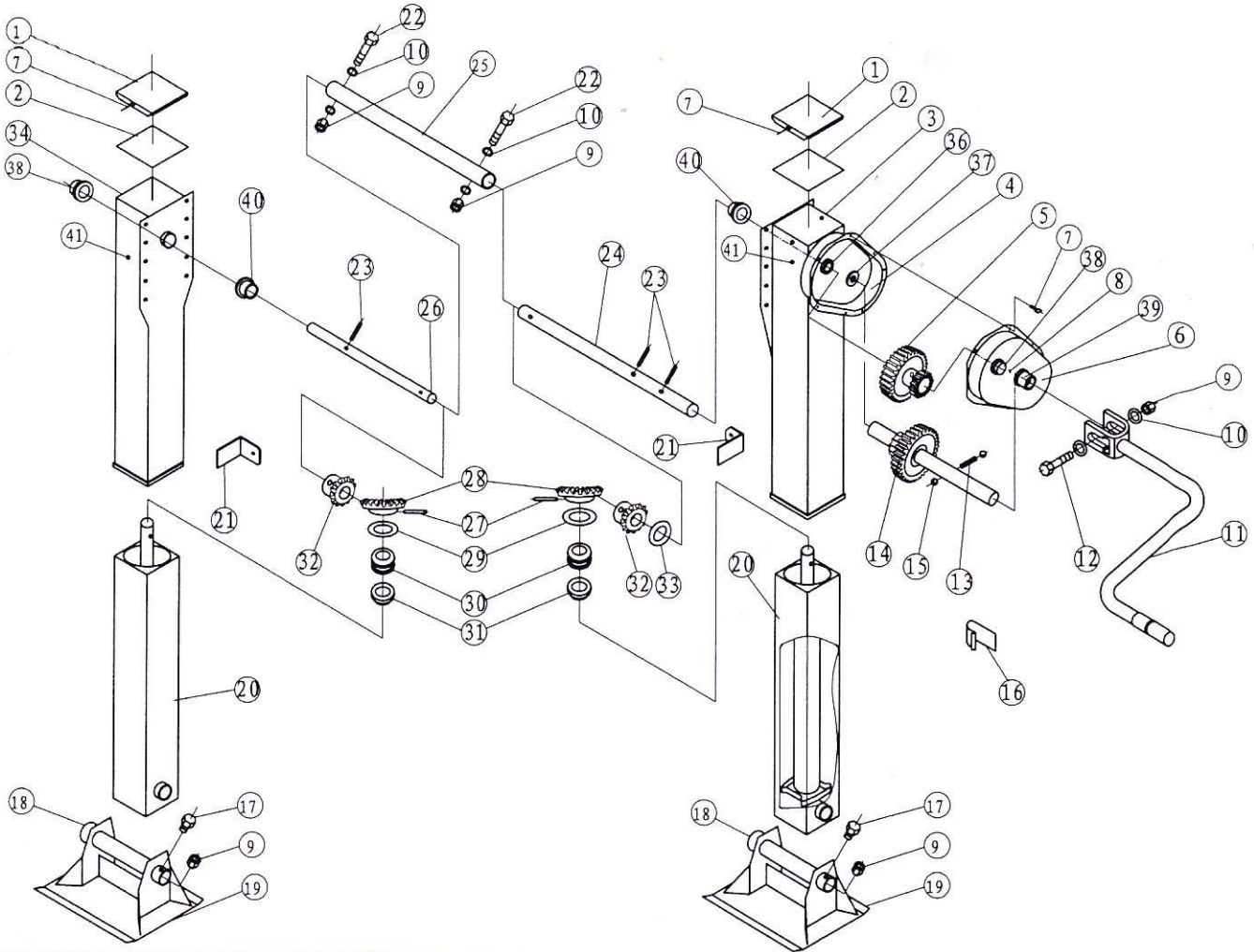


FM23 Series Landing Gear Parts List



序号 ITEM	图号 PARTS NO.	名称 DESCRIPTION	数量 QUANTITY
1	FA2887T1002	外壳盖Cover	2
2	FA2887T0003	密封圈Cover Gasket	2
3	FM2390T2100/480 FM2370T2100/430 FM2360G2100/419 FM2340T2100/350	右外腿Upper Housing RH	1
4	FW271012	齿轮箱内盖Gearbox Half-Outside	1
5	FW272004	输出齿轮Output Gear	1
6	FW271011	齿轮箱外盖Gearbox Half-Outside	1
7	FW240001 M6*12	六角法兰面螺栓Screw Cover and Gearbox	9
8	FW240006 M6	油杯Grease Fitting	1
9	FW240009 M10	防松螺母Self-locking Nut	5
10	FW240011 10	平垫圈Flat Washer	6
11	FW272007/T6	摇柄Universal Crank	1
12	FW240008 M10*60	六角螺栓 Bolt-Crank and Cross Drive	1
13	FW240017	弹簧Shift Lock Spring	1
14	FW271009	输入齿轮Input Gear	1
15	FW240018 S φ8	钢球Shift Lock Ball	2
16	FW200002	摇把钩Crank Hanger	1
17	FW240010 M10*20	六角螺栓Hex-Heavy Duty Bolt	2
18	FW200014+D FW200020+D	支承底座轴Shoe Axle (配A.S.T鞋) 支承底座轴Shoe Axle (配R鞋,轴两端配开口销FW240019(8*70),轴上不装件号17和9)	选一种2件 +D为镀锌件
19	FW200015T+D FM2390A1100+D FW200015G FW200015R+D FW200015S+D	支承底座Shoe (sand) 支承底座Shoe (rocking) 支承底座Shoe (wheel) 支承底座Shoe (air suspension)	选一种2件 +D为镀锌件

序号 ITEM	图号 PARTS NO.	名称 DESCRIPTION	数量 QUANTITY
20	FW275003/480 FW275003G/480(配'G'鞋) FW275003/430 FW275003G/430(配'G'鞋) FM2360G1300/419(配'G'鞋) FM2340T1300/350 FM2340G1300/350(配'G'鞋)	内腿 Retracting Tube Assembly C/W Grease Pack Tube	2
21	FM2390T0002	连接弯板Strut Bracket	2
22	FW240028 M10*55	六角螺栓 Bolt-Crank and Cross Drive	2
23	FW240015 φ9.5*40	槽销Groove Pin	3
24	FW2690T-2005	右输出轴Shaft	1
25	FM2390T0001 (900/1486/1780)	中间轴Connecting Shaft	三种长选1件
26	FW2690T-1006	左输出轴Shaft	1
27	FW240004 B10*50	圆柱销Groove Pin	2
28	FW272001	大锥齿轮Bevel Gear	2
29	FW240005	大锥齿轮垫圈Washer	2
30	FW220004	单向推力球轴承Thrust Bearing	2
31	FW200005	轴环Collar	2
32	FW272003	小锥齿轮Pinion Gear	2
33	FW272006	小锥齿轮垫圈Thrust Washer	1
34	FM2390T1400/480 FM2370T1400/430 FM2360G1400/419 FM2340T1400/350	左外腿Upper Housing LH	1
36	FW271007	短衬套Bushing	1
37	FW271008	内盖轴承套Bearing Washer	1
38	FW272002	闭式衬套Sealed Washer LH	2
39	FW271010	长轴承套Spacer Bushing	1
40	FW271005	轴承套Bearing Bushing	2
41	FW220012	堵塞Plug	4