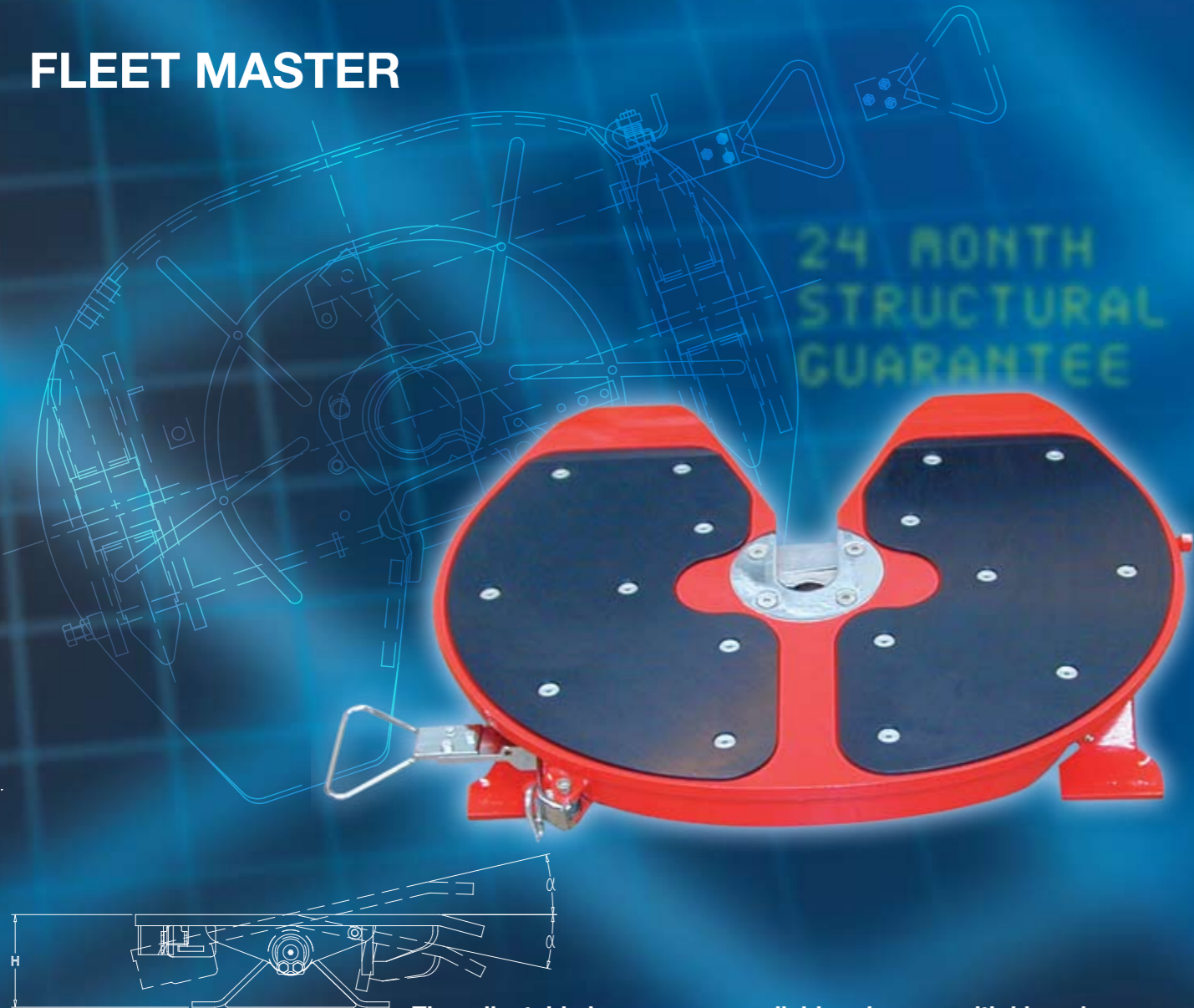


FLEET MASTER



The adjustable jaw ensures a reliable grip even with king pin wear. Available with low or high profile ballrace assemblies.

BALLRACE	BASE PLATE	1/2 MOON	HEIGHTS				
			128	148	166	196	218
60	16	12	216	236	254	284	306
60	16	16	220	240	258	288	310
90	16	12	246	266	284	314	336
90	16	16	250	270	288	318	340

SPECIFICATIONS:

RATING

50mm D195kN

90mm D240kN

MECHANISM

Swinging one piece

PRIMARY LOCK

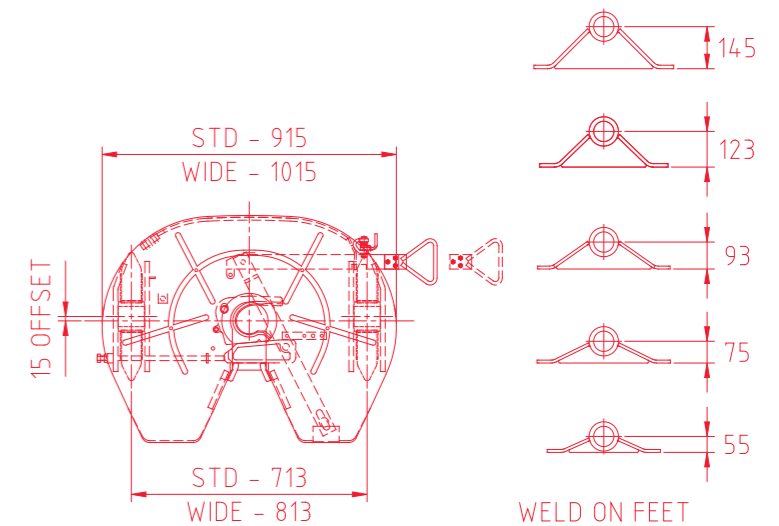
Wedge to rear of jaw

FEATURES:

- Fully fabricated from quality steel products
- Adjustable fifth wheel able to retrofit existing models
- Greaseless or standard top
- Available in 50mm and 90mm king pin sizes and a variety of mount heights
- Designed and manufactured to ISO 9001
- Complies with Australian Standard AS1773-1996
- Dynamically tested and approved to current Australian Design Rules
- Suitable for single trailer, B-Double, double and triple road trains including volume loading applications

Get a better grip with the **K Hitch Adjustable Jaw Fifth Wheel**

K Hitch **"FLEET MASTER"**™ fifth wheel has adjustable locking jaws to provide a tight lock even with kingpin wear, reducing overall maintenance and frequency of jaw replacement. Fully fabricated from quality steel, Fleetmaster was designed to meet Australia's harsh outback conditions on and off road, including single trailer, B-Double and triple road train applications and with volume loading. Ideal savings for fleet operators and simple to use. Available in 50mm and 90mm jaws and a variety of mounting heights. Also available in environmentally friendly greaseless top.



Add 4mm to overall height for greaseless fifth wheels. **WARNING:** The 128 mount height is intended for use with ballrace assemblies only. Forward oscillation restriction may occur if used on a standard base plate.

A UV stabilised, high strength polyethelene material is used in greaseless models. It is environmentally friendly, reduces maintenance and provides easier steering.