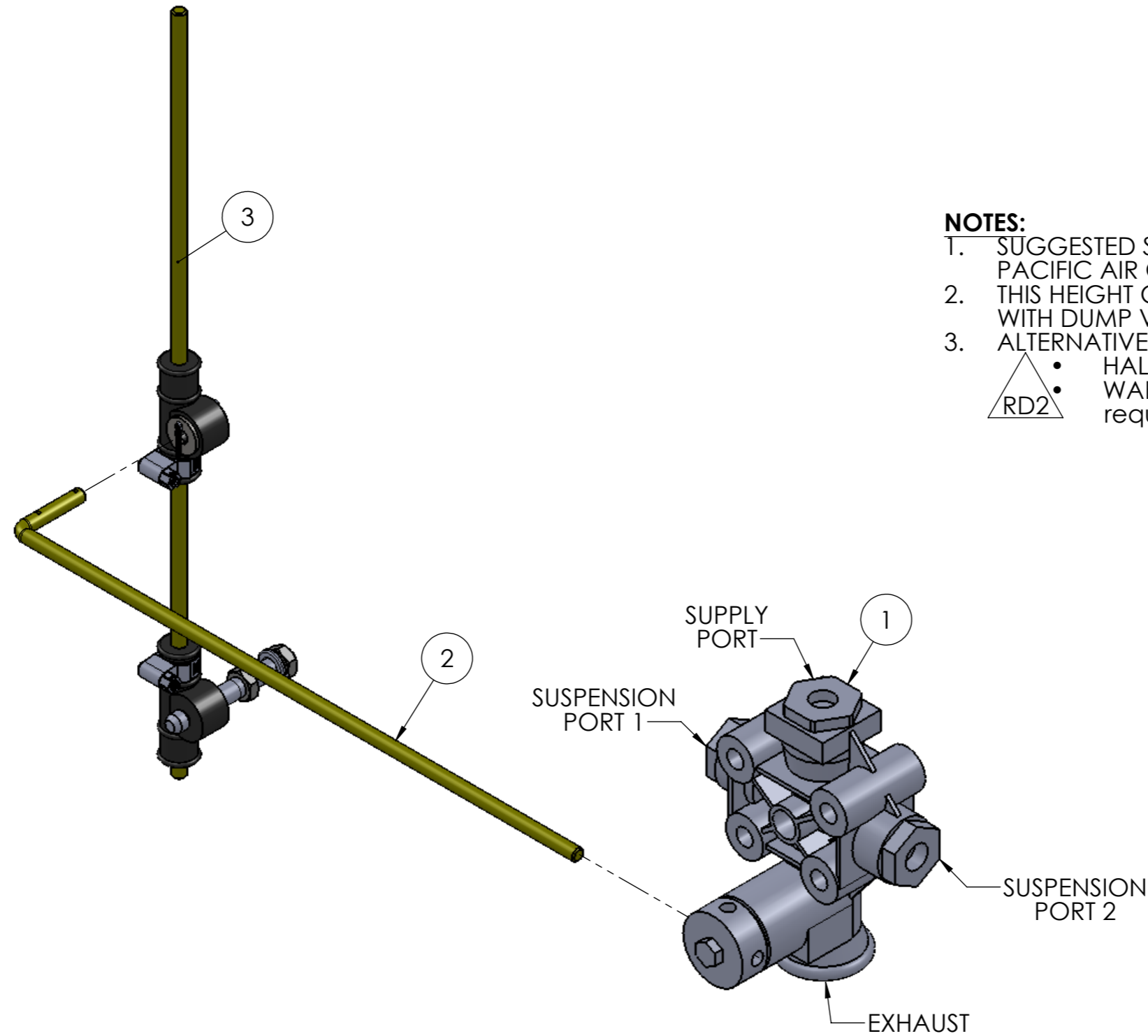


ITEM NO.	PART NUMBER	Description	QTY.
1	N100531-001	HEIGHT CONTROL VALVE - ABC	1
2	N100532-001	HEIGHT CONTROL VALVE ARM	1
3	N100533-001	HEIGHT CONTROL VALVE ARM ACTUATOR ASSEMBLY	1



**NOTES:**

- SUGGESTED SUPPLIER:  
PACIFIC AIR CONTROLS (PART # ABC27000) (c/w 1/4 npt ports)
- THIS HEIGHT CONTROL VALVE NOT TO BE USED WITH DUMP VALVE CONFIGURATION.
- ALTERNATIVE HCV VALVES
  - HALDEX #612 035 031 (c/w M12X1.5 ports)
  - WABCO #464 006 002 0 (c/w M12X1.5 ports) requires additional 30mm linkage bracket offset

REV.	DESCRIPTION	DRAWN/DATE	APPROVED/DATE
RD2	ALTERNATE HCV OPTIONS ADDED IN NOTES	D.R 12-04-10	D.R 12-04-10
RD1	RELEASE AS PROTOTYPE	D.R 29-06-09	Z.L 29-06-09

This Print remains the property of Fuwa K HITCH PtyLtd. All information contained thereon is confidential. It is loaned, subject to return on demand and on express condition that it is not to be copied or used directly or indirectly for any purpose other than the purpose for which it has been loaned to you.

	NAME	SIGNATURE	DATE
DRAWN	D.R		29-06-09
CHK'D	Z.L		29-06-09
APPV'D			

**Fuwa K HITCH**  
PTY LTD  
13-21 Bliss Court RD  
Derrimut VIC 3030  
Copyright © 2009

P/N: FHT-001  
Tolerance is standard unless otherwise stated

P/N: FHQ-002  
Quality notes

REMOVE ALL BURRS, SHARP EDGES AND PROCESS RESIDUE

MATERIAL:	N/A
SURFACE FINISH:	N/A
WEIGHT:	kg
BOM:	-
Project No. 113	Revision Level: RD2
Part No. <b>N100530-001</b>	SCALE: 1:2

**HEIGHT CONTROL VALVE KIT**

DIMENSIONS IN MILLIMETRES