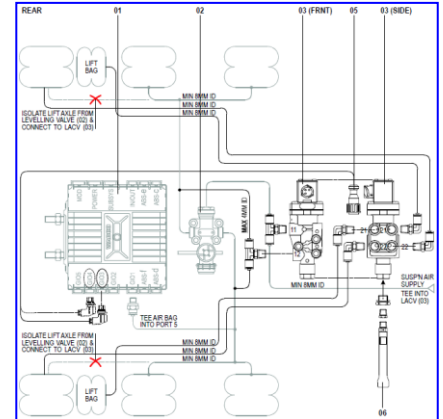


INSTALLATION, MAINTENANCE & SERVICE BULLETIN

AXLE LIFT

Note: With an EBS installation, the LS2000 valve may no longer be needed to control the lift axle.
 The air control for the lift axle can be integrated in to the EBS controls.
 The EBS controls can include the lift axle control valve (including the exhaust warning whistle).

- Make sure the lift axle is not an EBS/ABS sensed axle.
- If the LS2000 is still used, make sure it does not effect the EBS operation.



Sample Diagram:

VALVE LOAD SETTING INFORMATION

ADR43/04, Section 9; documents the requirements for the lift axle activation.

It is the responsibility of the installer to follow the ADR.

Extract from Section 9:

Example: If a tri-axle suspension fitted with dual tyres has two retractable axles, when running only on the non-retractable axle, the first 'Retractable Axle' must come down no later than when the load imposed on the ground reaches 6.5 tonnes. The second 'Retractable axle' must come down no later than when the load imposed on the ground reaches 13.0 tonnes.

The FKH (KB) fully automatic lift axle control valve (LS2000) has a factory setting of:



3.40 bar (49 PSI) for axle drop pressure.

1.7 bar (25 PSI) for axle lift pressure.

Note: The above pressures are the airbag air pressures

That factory setting (3.4 bar & 1.7 bar) will translate in to different axle loads, depending on what suspension the valve is used.

See the next page for the valve settings for the FUWA KT suspensions and the Weweler Suspensions supplied by FKH.

Note: Please take notice of the additional pressure control valve which needs to be fitted when installing an axle lift with the FUWA KT suspension.
 See page 5 for more details.

INSTALLATION, MAINTENANCE & SERVICE BULLETIN

FUWA KT SUSPENSIONS

Suspension Rating	KT Model		Axle Load - <i>drop</i>	
	Over slung	Under slung	Over slung	Under slung
11t	250T	250U	7t	7t
13t	300T	300U	7t	7t

Suspension Rating	KT Model		Axle Load - <i>lift</i>	
	Over slung	Under slung	Over slung	Under slung
11t	250T	250T	4t	4t
13t	300T	300T	4t	4t

It may be necessary to change the factory valve setting to the following, to achieve ADR axle loads.

Suspension Rating	KT Model		Axle Load <i>drop</i> As per ADR	Adjust <i>drop</i> pressure to:	
	Over slung	Under slung		Over slung	Under slung
11t	250T	250T	6.5t	4.0bar	4.0bar
13t	300T	300T	6.5t	4.0bar	4.0bar

Lift pressure may also need adjusting (No ADR requirements). *Note: The following are suggestions only.*

Suspension Rating	KT Model		Axle Load <i>lift</i>	Adjust <i>lift</i> pressure to:	
	Over slung	Under slung		Over slung	Under slung
11t	250T	250T	3.8t	1.75bar	1.75bar
13t	300T	300T	3.8t	1.75bar	1.75bar

WEWELER SUSPENSIONS

Suspension Rating	Weweler Model	Axle Load - <i>drop</i>
9t	Euro / Ultra Lite	6.3t
11t	Heavy Duty	8.5t
13t	Heavy Duty Plus	8.5t

Suspension Rating	Weweler Model	Axle Load - <i>lift</i>
9t	Euro / Ultra Lite	3.8t
11t	Heavy Duty	5.0t
13t	Heavy Duty Plus	5.0t

It may be necessary to change the factory valve setting to the following, to achieve ADR axle loads.

Suspension Rating	Weweler Model	Axle Load <i>drop</i> As per ADR	Adjust <i>drop</i> pressure to:
9t	Euro / Ultra Lite	6.5t	4.1 bar
11t	Heavy Duty	6.5t	3.0 bar
13t	Heavy Duty Plus	6.5t	3.0 bar

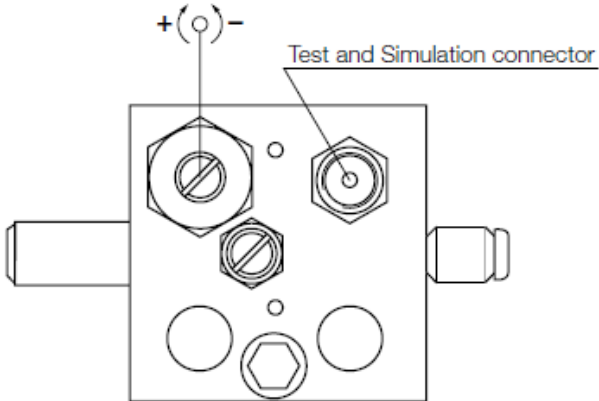
Lift pressure may also need adjusting (No ADR requirements). *Note: The following are suggestions only.*

Suspension Rating	Weweler Model	Axle Load <i>lift</i>	Adjust <i>lift</i> pressure to:
9t	Euro / Ultra Lite	3.8t	2.25 bar
11t	Heavy Duty	3.8t	1.75 bar
13t	Heavy Duty Plus	3.8	1.75 bar

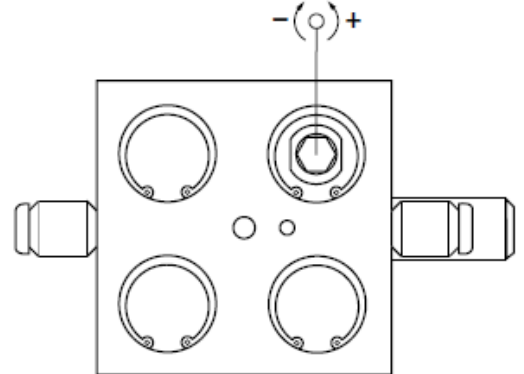
INSTALLATION, MAINTENANCE & SERVICE BULLETIN

Adjusting Screws:

Screw for setting the pressure for lowering
 (automatic lowering of the lift axle)



Screw to adjust the control range
 (automatic raising of the lift axle)



Note: The valve in the photos and the drawings above shows how the valve is to be fitted in the chassis.

The mounting bracket must face to the top.

INSTALLATION, MAINTENANCE & SERVICE BULLETIN

LIFT VALVE INSTALLATION INFORMATION

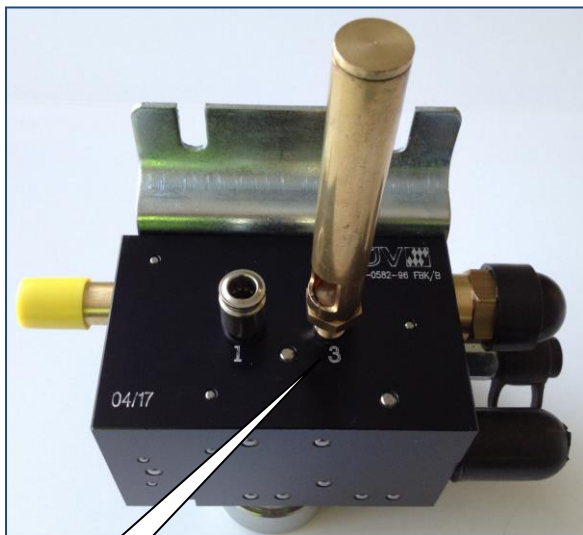
ADR42/04, Section 22; documents the requirements for the axle lift warning.

It is the responsibility of the installer to follow the ADR.

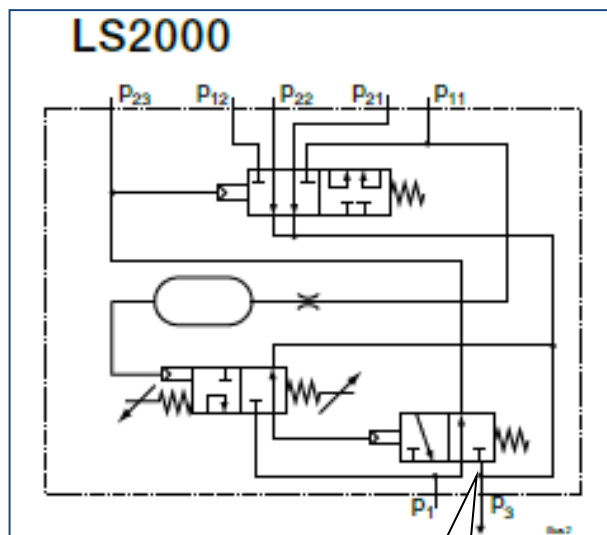
Extract from Section 22: “22.2.2 An audible warning device must be sounded as lowering begins as required by clause 20.4”

“22.2.3 The vehicle must be marked on both sides within 2.0 metres of a transverse vertical plane through the centre-line of the ‘Retractable Axle’ with “Warning: Axle(s) may raise or lower automatically”.

In reference to the requirement in 22.2.2, an air whistle can be installed in the lift air bag exhaust port of the control valve, as shown in the following photo.



Port 3



Port 3

Remove the silencer from port 3 and screw in the whistle (GP-WH-02RK).

In reference to the requirement in 22.2.3, attach the following sticker (FHD-047-Rev2) in a clearly visible position within the appropriate distance (2m) from the lift axle.

NOTE:

The valve installation drawings for specific axle and suspension configurations, are available upon request from FKH.



INSTALLATION, MAINTENANCE & SERVICE BULLETIN

LIFT PRESSURE CONTROL VALVE INSTALLATION

This is for the FUWA KT suspension "Single Side Lift Kit" ONLY!

The lift kit part numbers are: N100562-001K & N100562-002K

The following drawing is an extract of the piping diagram for the above lift kits.

