

INSTALLATION, MAINTENANCE & SERVICE BULLETIN

GREASE NIPPLES

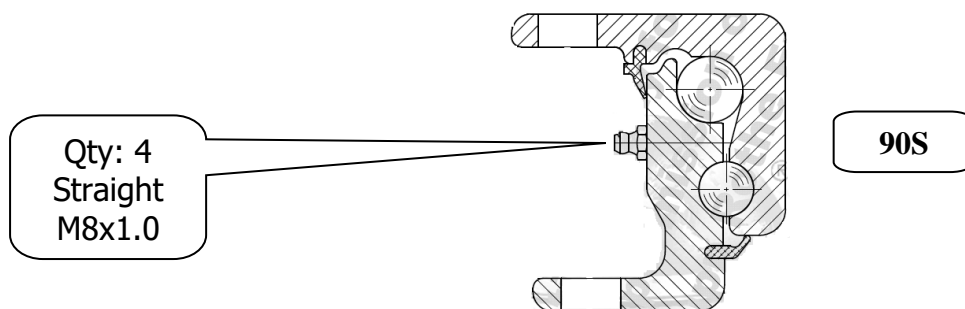
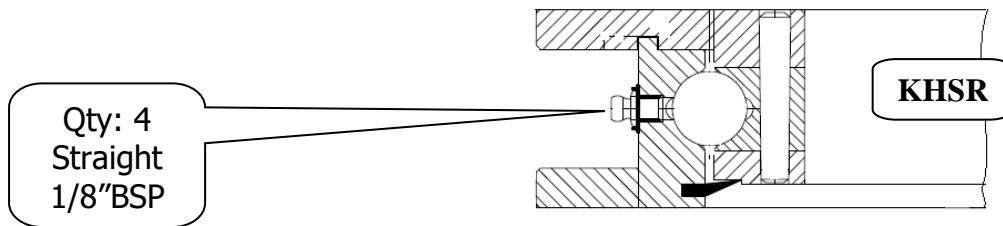
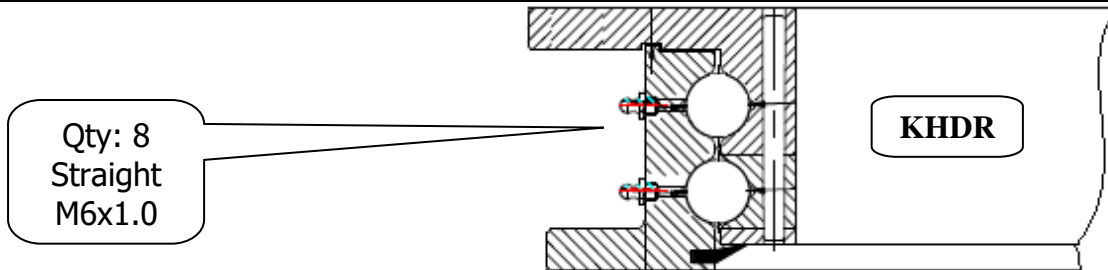
The following information is to assist servicing the FKH product as well as providing information when installing central greasing system.

A number of grease nipples are found on a number of different FKH products and they may differ in shape and size.

Product Group	Product Model	Grease Nipple Type	Size	Qty	Page
Ball race	KHDR	Straight	M6x1	8	2
	KHSR	Straight	1/8" BSP	4	
	90S	Straight	M8x1	4	
5 th wheel	KA10/12 A50	Straight	M10x1	5	3
	KA10/11 C50 – D90	Straight	1/8" BSP	9	
	KA12/13 C50 – D90	Straight	1/8" BSP	5	
	KH10/11 – D90	Straight	M10x1	6	
		Straight	1/8" BSP	4	
	KH12/13 – D90	Straight	M10x1	2	
		Straight	1/8" BSP	4	
	4	KC10C50	Straight	M10x1	3
		KS15E	Straight	M10x1	6
			Straight	1/8" BSP	4
KS15F90		Straight	M10x1	1	
KS15E90		Straight	1/8" BSP	9	
Axle	KK44	Straight	¼" BSP	2	5
		45°	1/8"NPT	4	
	KF37	Straight	¼" BSP	2	
		45°	1/8"NPT	2	
	KF12, KF22, KF29, KF67	Straight	M6x1	2	
		45°	1/8"NPT	2	
	KF21, KF61, KF75, KF85	Straight	M6x1	2	
		45°	M8x1	2	
Slack Adjuster	Manual	Straight	¼" BSP	1	6
	ASA	90°	1/8"NPT	1	
	ASH	Straight	M10x1	1	
Mech. Suspension	FW88, FW86, FW18, FW20	Straight	M10x1	1	7
Landing Leg	FW227, FW25, FW275,FW36, FW37	Straight	M6x1	5	
Twist Lock	TL001, TL002	Straight	M10x1	1	
Self-Steer Axle	KSS1	Straight	M10x1	4	
		45°	M10x1	4	

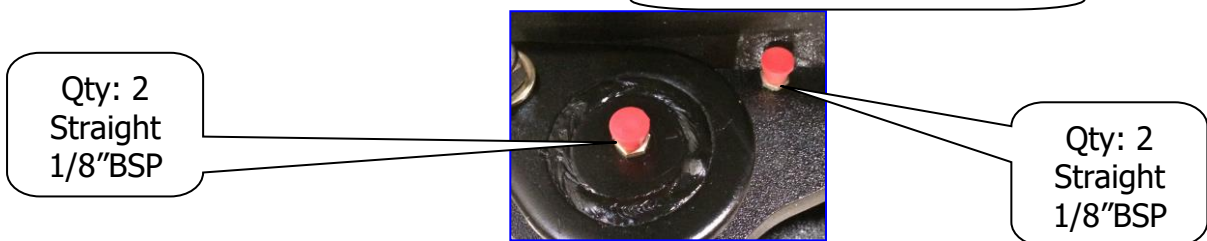
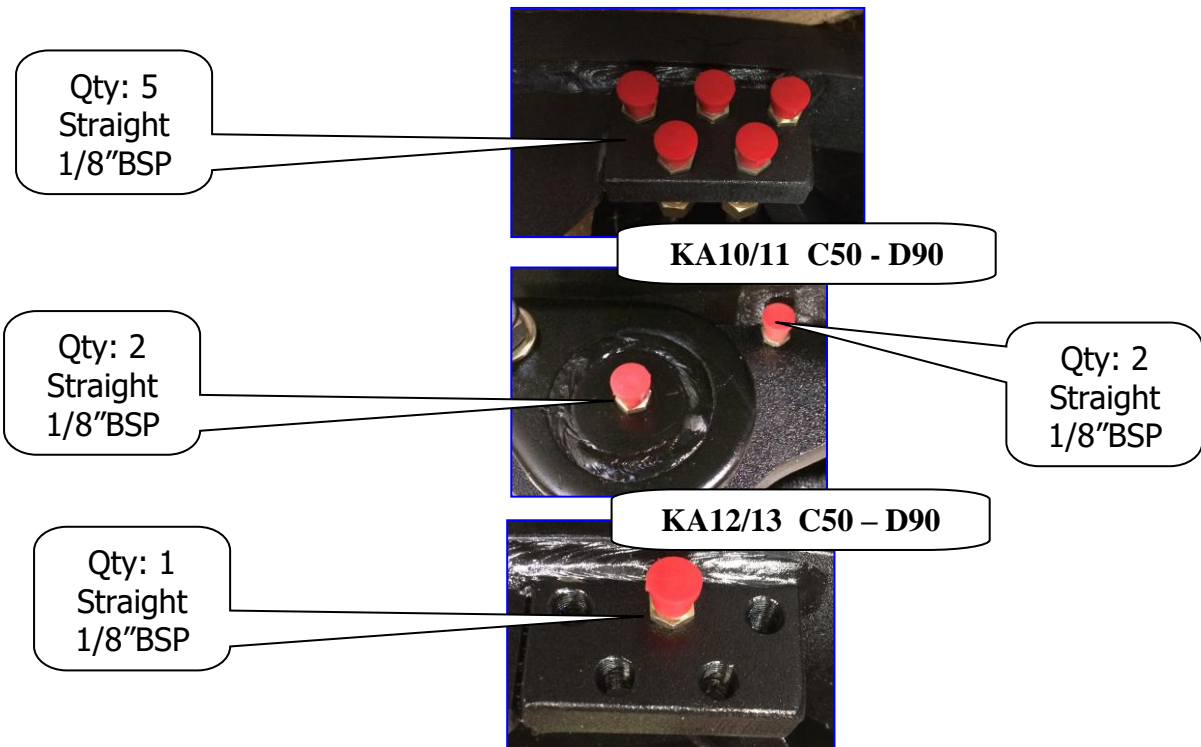
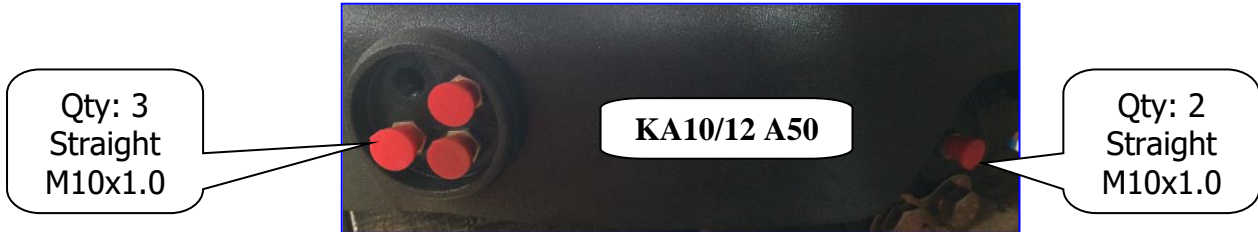
INSTALLATION, MAINTENANCE & SERVICE BULLETIN

Ball race



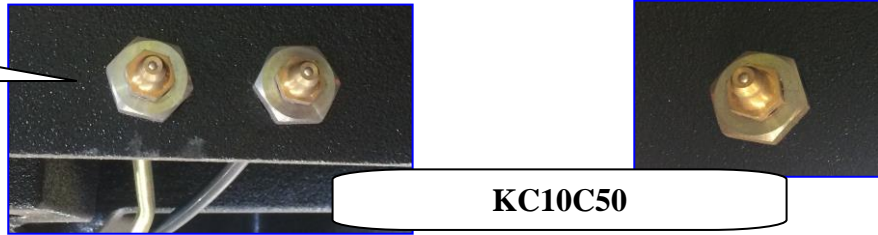
INSTALLATION, MAINTENANCE & SERVICE BULLETIN

5th wheel



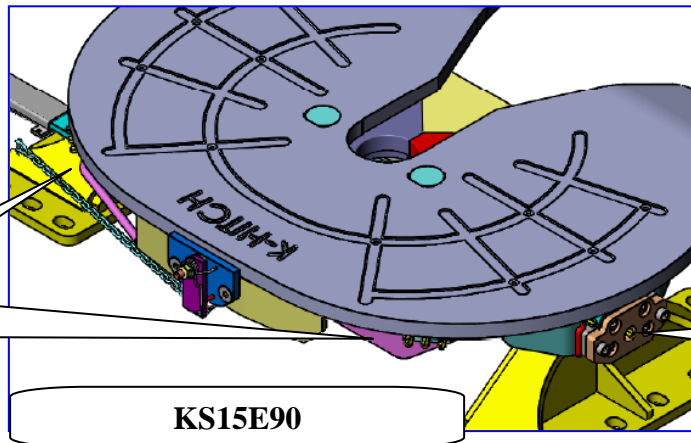
INSTALLATION, MAINTENANCE & SERVICE BULLETIN

Qty: 3
 Straight
 M10x1.0



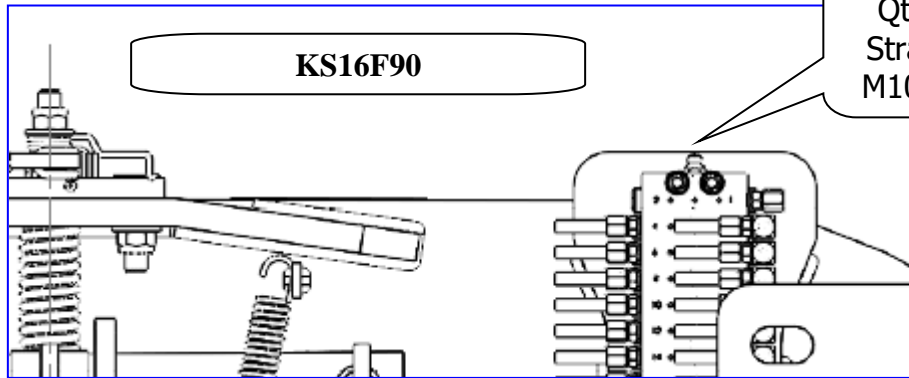
KC10C50

Qty: 6
 Straight
 M10x1.0



KS15E90

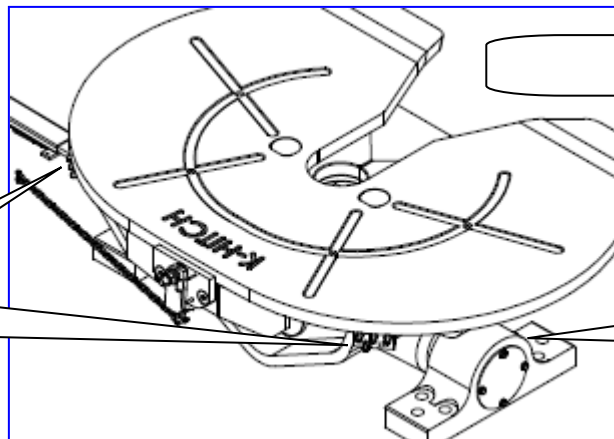
Qty: 4
 Straight
 1/8" BSP



KS16F90

Qty: 1
 Straight
 M10x1.0

Qty: 7
 Straight
 1/8" BSP



KD15E90

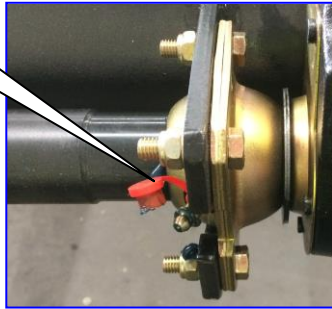
Qty: 2
 Straight
 1/8" BSP

INSTALLATION, MAINTENANCE & SERVICE BULLETIN

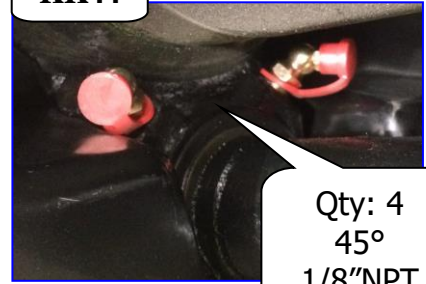
Axle

KK44, KF37.....open s-cam

Qty: 2
 Straight
 1/4" BSP

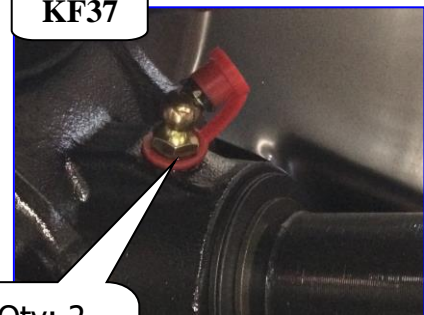


KK44



Qty: 4
 45°
 1/8" NPT

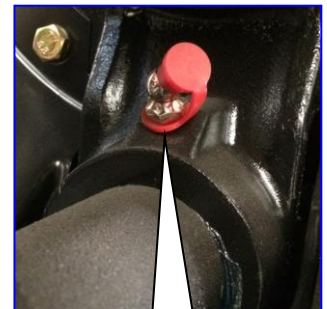
KF37



Qty: 2
 45°
 1/8" NPT

KF12, KF22, KF29, KF67.....enclosed s-cam

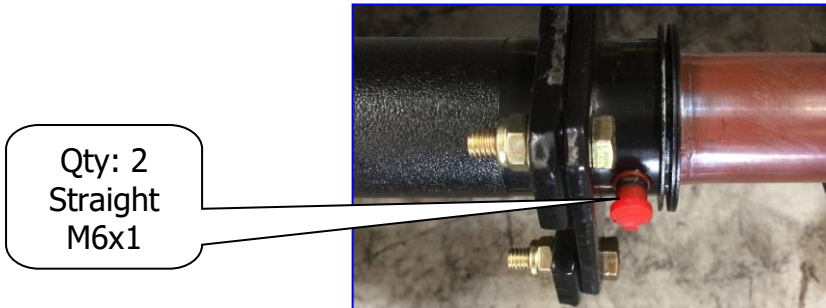
Qty: 2
 Straight
 M6x1



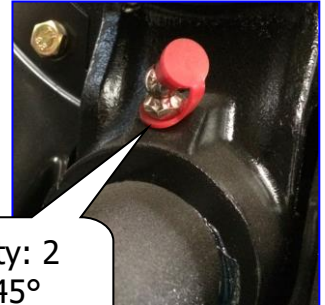
Qty: 2
 45°
 1/8" NPT

INSTALLATION, MAINTENANCE & SERVICE BULLETIN

KF21, KF61, KF75, KF85.....enclosed s-cam



Qty: 2
 Straight
 M6x1

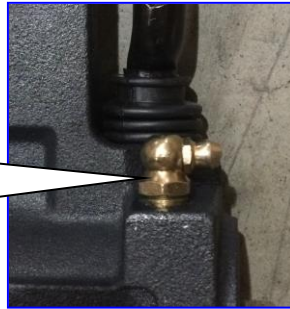


Qty: 2
 45°
 M8x1

Slack Adjuster



Qty: 1
 Straight
 1/4" BSP



Qty: 1
 90°
 1/8 NPT

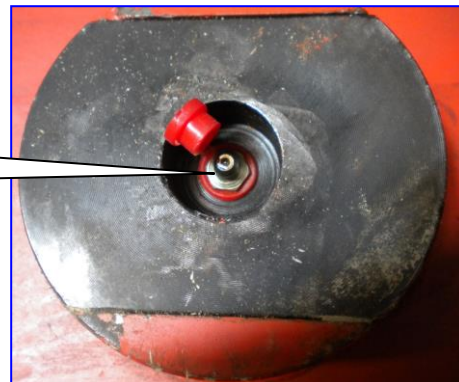


Qty: 1
 Straight
 M10x1

Mechanical Suspension

FW88, FW86, FW18, FW20

Rocker Pin
 Qty: 1
 Straight
 M10x1



INSTALLATION, MAINTENANCE & SERVICE BULLETIN

Landing Leg

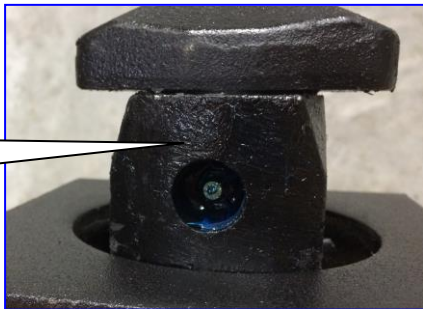
FW227, FW25, FW275, FW36, FW37



All the grease nipples on the Landing Legs are:
 Straight
 M6

Twist Lock

Qty: 1
 Straight
 M10x1



Self-Steer Axle KSS1

Torpress
 Qty: 2
 Straight
 M10x1

S-cam
 Qty: 2
 Straight
 M10x1



Knuckle
 Qty: 4
 45°
 M10x1