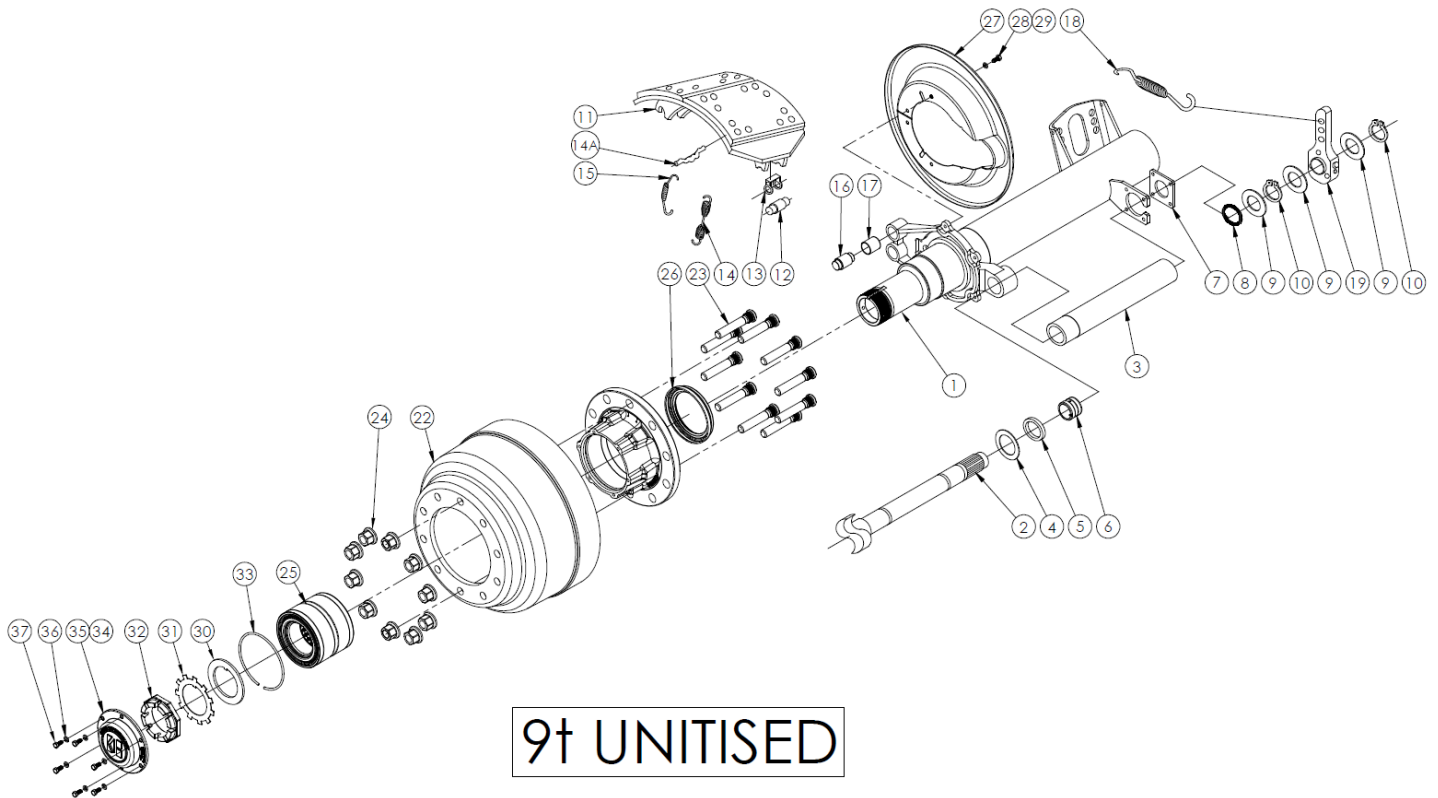
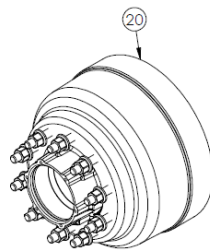


PARTS VIEW

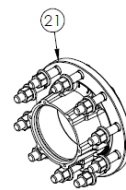
KF12 DRUM BRAKE AXLE (9t unitised)



9t UNITISED



HUB/DRUM ASSEMBLY



HUB ASSEMBLY

IMAGES FOR ILLUSTRATION PURPOSES ONLY

PARTS VIEW

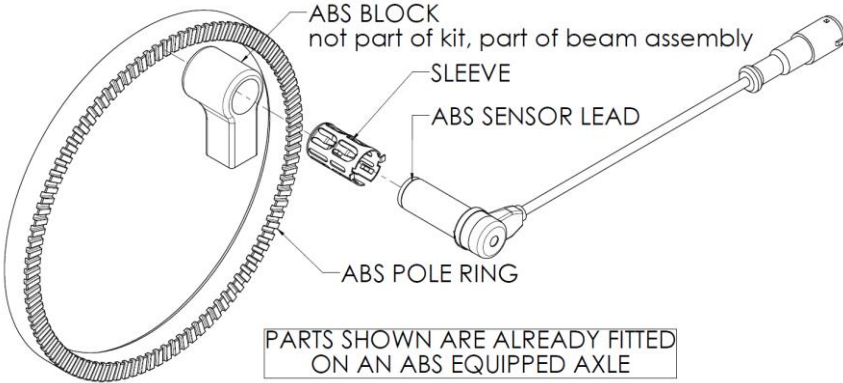
22.5" DRUM BRAKE AXLE – KF12 SERIES

Ref No.	PART No.	DESCRIPTION	APPLICATION		
			QUANTITY PER AXLE	1850	1820
BEAM OPTIONS					
				UNITISED	UNITISED
1	N/A	BEAM & CAM ASSY	1	X	
1	N/A	BEAM & CAM ASSY	1		X
1	KF12FX13X1850N30	BEAM & BRAKE ASSY	1	X	
1	KF12FX13X1820N30	BEAM & BRAKE ASSY	1		X
BRAKE COMPONENTS					
2	C11-0201C-604LH	CAMSHAFT–LH (604mm) 10sp	1	X	X
2	C11-0201C-604RH	CAMSHAFT–RH (604mm) 10sp	1	X	X
3	C30-0201-604#	CAMTUBE ASSY	2	X	X
4	C15-0102#	WASHER, Camshaft Spacer	2	X	X
5	C14-0201#	SEAL, CAMSHAFT OUTER	2	X	X
6	C13-0201#	CAMSHAFT BUSH (SPIDER)	2	X	X
7	C33-0201#	CAMSHAFT, MTG PLATE	2	X	X
8	C24-0401#	O-RING, CAMTUBE INNER	2	X	X
9	C15-0102#	WASHER, Camshaft Spacer	6	X	X
10	C16-0501#	CIRCLIP, CAMSHAFT INNER	4	X	X
11	D20-020101*	SHOE SET (2)	2	X	X
12	NSS*	ROLLER	4	X	X
13	NSS*	ROLLER RETAINER	4	X	X
14	NSS*	RETURN SPRING	2	X	X
14A	NSS*	RETAINING PIN	2	X	X
15	NSS*	ANCHOR SPRING	2	X	X
16	NSS*	ANCHOR PIN	4	X	X
17	NSS*	ANCHOR PIN BUSH	4	X	X
18	A20-0101	RETURN SPRING, Slack Adjuster	2	X	X
19	278323EF	POSITIVE LOCK SLACK ADJUSTER	2	X	X
19	ASC21112	AUTO SLACK ADJUSTER	2	O	O
#PARTS CONTAINED IN KIT A					
*PARTS CONTAINED IN KIT B – REFER TO PAGE 4					

PARTS VIEW

Ref No.	PART No.	DESCRIPTION	APPLICATION	
		HUB/DRUM OPTIONS		
			QUANTITY PER AXLE	10x285 22.5"
				Ø420x180 (Ø16.5"x7") Standard
				UNITISED
				KF12UG15
20	NSS	HUB/DRUM ASSY-Long stud	2	X
21	H31-0502	HUB ASSY – Long stud	2	X
22	KH3602-0303	DRUM	2	X
		WHEEL END COMPONENTS		
23	H33-0307	STUD LONG (M22x122)	20	X
24	KH800096 (H34-0301)	NUT M22 x 32 A/F	20	X
24	KH800238 (H34-0302)	NUT M22 x 33 A/F	20	O
24	H34-0901	NUT M22 x 32 A/F – 50mm long	20	O
25	BTH-0055D	BEARING CARTRIDGE (9T)	2	X
26	KH47690	SEAL	2	X
27	H18-0101	DUST COVER	2	X
28	KH800055	SPRING WASHER	12	X
29	M8X16X1.75	BOLT – DUST COVER – M8	12	X
30	N300003-001	WASHER, BEARING	2	X
31	N300002-001	LOCK TAB	2	X
32	N300004-001	NUT SPINDLE	2	X
33	N300005-001	SNAP RING	2	X
34	N300015-001	O-RING – HUB CAP	2	X
35	N300006-001	HUB CAP – ALUM’N – Ø162PCD	2	X
36	KH800055	WASHER – HUB CAP BOLT	12	X
37	KH800122	BOLT - HUB CAP – 5/16"	12	X

PARTS VIEW

Ref #	KIT Part No.	Component Part No.	DESCRIPTION	QTY/ AXLE	QTY/ KIT	APPLICATION
A	C30-0201-604K		CAM TUBE KIT (suit 1 cam)	2		KIT SUITS: UNITISED 1820mm & 1850mm TRACK AXLE
		C30-0201-604	CAMTUBE ASSY		1	
		C15-0102	WASHER, CAMSHAFT SPACER		1	
		C14-0201	SEAL, CAMSHAFT OUTER		1	
		C13-0201	CAMSHAFT BUSH (SPIDER)		1	
		C33-0201	CAMSHAFT, MTG PLATE		1	
		C24-0401	O-RING, CAMTUBE INNER		1	
		C15-0102	WASHER, CAMSHAFT SPACER		3	
		C16-0501	CIRCLIP, CAMSHAFT INNER		2	
B	D20-020101K		BRAKE SHOE KIT (1 wheel)	2		KIT SUITS: KF12 AXLE
		D20-020101	SHOE SET (1 wheel)		1	
		NSS	ROLLER		2	
		NSS	ROLLER RETAINER		2	
		NSS	RETURN SPRING		1	
		NSS	RETAINING PIN		2	
		NSS	ANCHOR SPRING		1	
		NSS	ANCHOR PIN		2	
		NSS	ANCHOR PIN BUSH		2	
C	ABSKIT-01		ABS KIT	1		KIT SUITS: UNITISED KF12 AXLE
		A15-0202	ABS SENSOR LEAD (straight)		2	
		A16-0101	SLEEVE		2	
		H41-0201	ABS POLE RING – 100 Tooth – Ø165ID		2	
						

- Note: X: Standard | NSS: Not Sold Separately | O: Optional
 Hub Cap: May vary (Oil hubs, Customer specs & Hub-odometer may require different hub caps)
1. Studs may be short or long, check before you order.
 2. Long Nut # H34-0901 (32mm A/F) can be used on long studs with steel wheels.