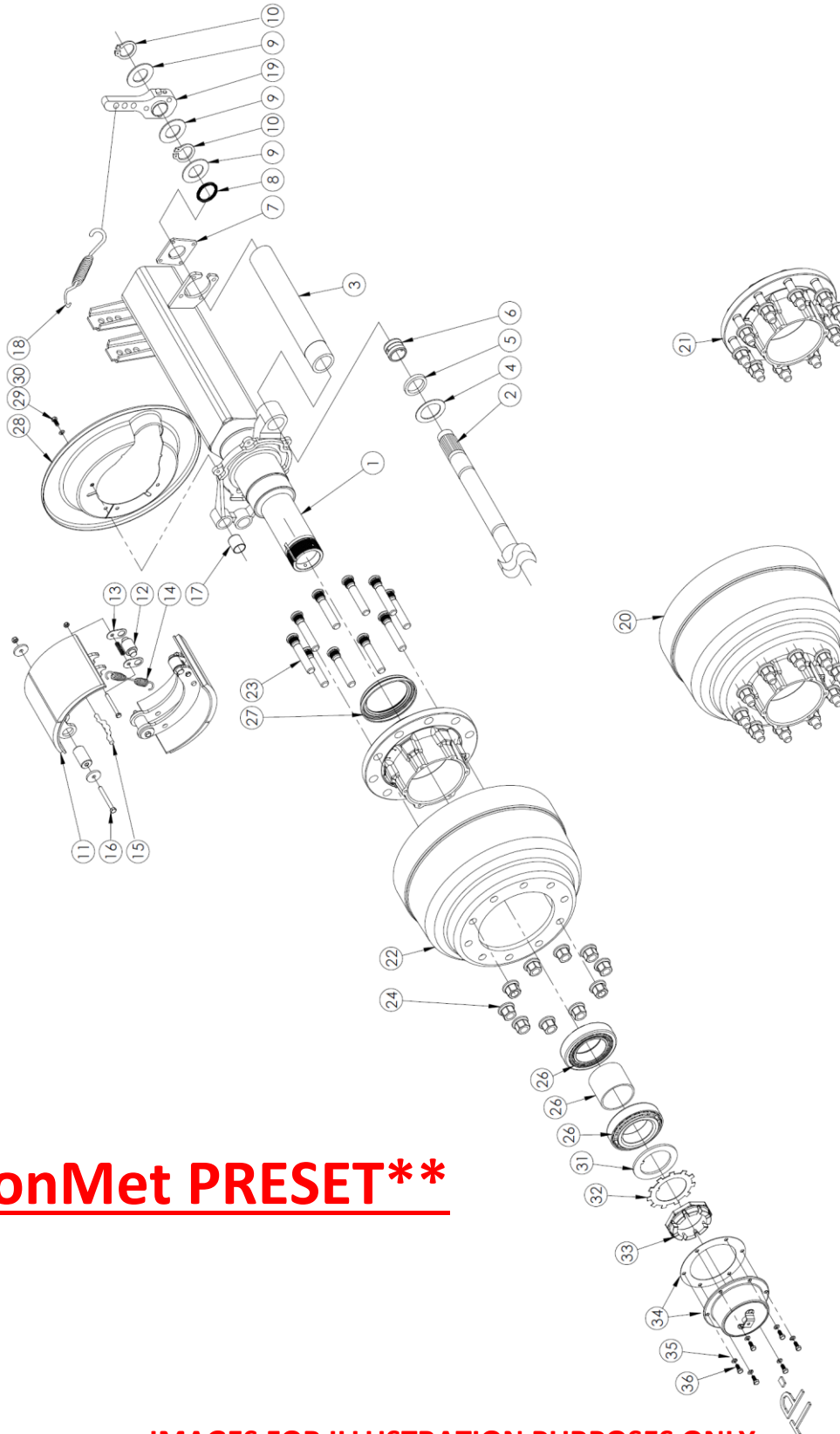


PARTS VIEW

KF67 DRUM BRAKE 150□AXLE



HUB ASSEMBLY

HUB/DRUM ASSEMBLY

****ConMet PRESET****

IMAGES FOR ILLUSTRATION PURPOSES ONLY

PARTS VIEW

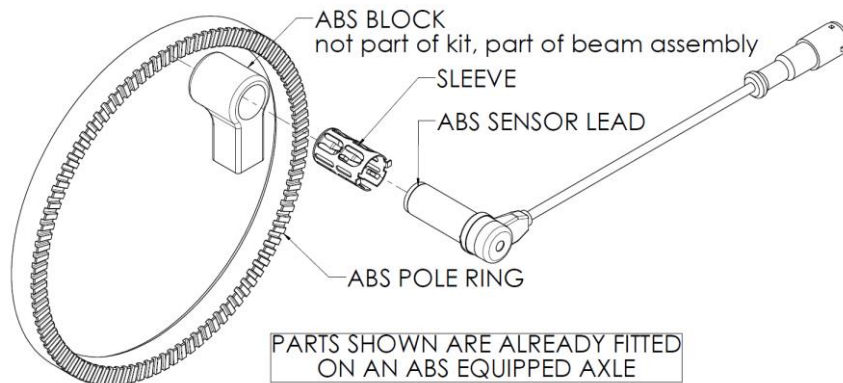
Ref No.	PART No.	DESCRIPTION	APPLICATON	
			QUANTITY PER AXLE	OPTION
BEAM ASSY				
1	KF6XBX13X1850R30	BEAM & BRAKE ASSY 150 ² x 10mm	1	1
1	KF6XBX13X1850S30	BEAM & BRAKE ASSY 150 ² x 15mm	1	2
BRAKE COMPONENTS				
2	C11-0201C-627LH	CAMSHAFT-LH (627mm) 1-1/2" 10sp	1	X
2	C11-0201C-627RH	CAMSHAFT-RH (627mm) 1-1/2" 10sp	1	X
3	C30-0201-627 ^o	CAMTUBE ASSEMBLY	2	X
4	C15-0102 ^o	WASHER, Camshaft Spacer	2	X
5	C14-0201 ^o	SEAL, CAMSHAFT OUTER	2	X
6	C13-0201 ^o	CAMSHAFT BUSH (SPIDER)	2	X
7	C33-0201 ^o	CAMSHAFT, MTG PLATE	2	X
8	C24-0401 ^o	O-RING, CAMTUBE INNER	2	X
9	C15-0102 ^o	WASHER, CAMSHAFT SPACER	6	X
10	C16-0501 ^o	CIRCLIP, CAMSHAFT INNER	4	X
11	D20-020103*	SHOE SET (2)	2	X
12	NSS*	ROLLER	4	X
13	NSS*	ROLLER RETAINER KIT	4	X
14	NSS*	RETURN SPRING	2	X
15	NSS*	RETAINING PIN	4	X
16	NSS*	ANCHOR PIN ASSEMBLY	4	X
17	NSS*	ANCHOR PIN BUSH	4	X
18	A20-0101	RETURN SPRING, SLACK ADJUSTER	2	X
19	278323EF	POSITIVE LOCK SLACK ADJUSTER	2	X
19	ASC21112	AUTO SLACK ADJUSTER	2	O
^o PARTS CONTAINED IN KIT A *PARTS CONTAINED IN KIT B – REFER TO PAGE 4				

PARTS VIEW

Ref No.	PART No.	DESCRIPTION	APPLICATON		
HUB/DRUM COMPONENTS					
			QUANTITY PER AXLE	10x285 22.5"	10x335 22.5"
				Ø420x180 (Ø16.5"x7") GP	Ø420x180 (Ø16.5"x7") GP
				TP	TP
				KF67DG15	KF67DG16
20	-	HUB/DRUM ASSY-Short stud	2	X	
20	-	HUB/DRUM ASSY-Long stud	2	X	
20	-	HUB/DRUM ASSY-Short stud	2		N/A
20	-	HUB/DRUM ASSY-Long stud	2		N/A
21	-	HUB ASSY – Short stud	2	X	
21	10030810	HUB ASSY – Long stud - (Lightweight Iron Hub - PRESET)	2	X	
21	-	HUB ASSY – Short stud	2		N/A
21	-	HUB ASSY – Long stud	2		N/A
22	KH3602-0303	DRUM	2	X	
22	KH3602-0101	DRUM	2		N/A
WHEEL END COMPONENTS					
23	KH800104 (H33-0301)	STUD SHORT (M22x94)	20	X	N/A
23	KH800239 (H33-0302)	STUD LONG (M22x122)	20	X	N/A
24	KH800096 (H34-0301)	NUT M22 x 32 A/F	20	X	N/A
24	KH800238 (H34-0302)	NUT M22 x 33 A/F	20	O	N/A
24	H34-0901	NUT M22 x 32 A/F – 50mm long	20	O	N/A
25	-	-	-		
26		BEARING INNER (HM518445- PRESET)	2	X	N/A
26	-	SPACER	2	X	N/A
26		BEARING OUTER (HM518445- PRESET)	2	X	N/A
27	373-0223 (801)	SEAL (off-road)	2	X	N/A
28	H18-0103	DUST COVER (lipped)	2	X	N/A
29	KH800055	SPRING WASHER	12	X	N/A
30	M8X16X1.75	BOLT – DUST COVER – M8	12	X	N/A
31	A11-0101	WASHER BEARING	2	X	N/A
32	KHLOCKTAB	LOCK TAB WASHER	2	X	N/A
33	A12-0101	NUT SPINDLE	2	X	N/A
34	10018621	HUB CAP – SEMI-FLUID – Ø171.5PCD c/w gasket	2	X	N/A
35	KH800055	WASHER – HUB CAP BOLT	12	X	N/A
36	KH800122	BOLT – HUB CAP – 5/16"	12	X	N/A

PARTS VIEW

Ref #	KIT Part No.	Component Part No.	DESCRIPTION	QTY/ AXLE	QTY/ KIT	APPLICATION
A	C30-0201-627K		CAM TUBE KIT (suit 1 cam)	2		KIT SUITS: TP 1850mm TRACK AXLE
		C30-0201-627	CAMTUBE ASSEMBLY		1	
		C15-0102	WASHER, Camshaft Spacer		1	
		C14-0201	SEAL, CAMSHAFT OUTER		1	
		C13-0201	CAMSHAFT BUSH (SPIDER)		1	
		C33-0201	CAMSHAFT, MTG PLATE		1	
		C24-0401	O-RING, CAMTUBE INNER		1	
		C15-0102	WASHER, CAMSHAFT SPACER		3	
		C16-0501	CIRCLIP, CAMSHAFT INNER		2	
B	D20-020103K		BRAKE SHOE KIT (1 wheel)	2		KIT SUITS: KF67 AXLE
		D20-020103	SHOE SET (1 wheel)		1	
		NSS	ROLLER		2	
		NSS	ROLLER RETAINER KIT		2	
		NSS	RETURN SPRING		1	
		NSS	RETAINING PIN		2	
		NSS	ANCHOR PIN ASSEMBLY		2	
		NSS	ANCHOR PIN BUSH		2	
C	-		ABS KIT	1		KIT SUITS: TP 150SQ AXLE
		A15-0101	ABS SENSOR LEAD (400mm)		2	
		A16-0101	SLEEVE		2	
		-	ABS POLE RING (stamped steel) – Ø172PCD (CONMET ITEM)		2	



Note: TP – parallel spindle (two bearings the same size)
 X: Standard | NSS: Not Sold Separately | O: Optional
 1. Studs may be short or long, check before you order.
 2. Long Nut # H34-0901 (32mm A/F) can be used on long studs with steel wheels.