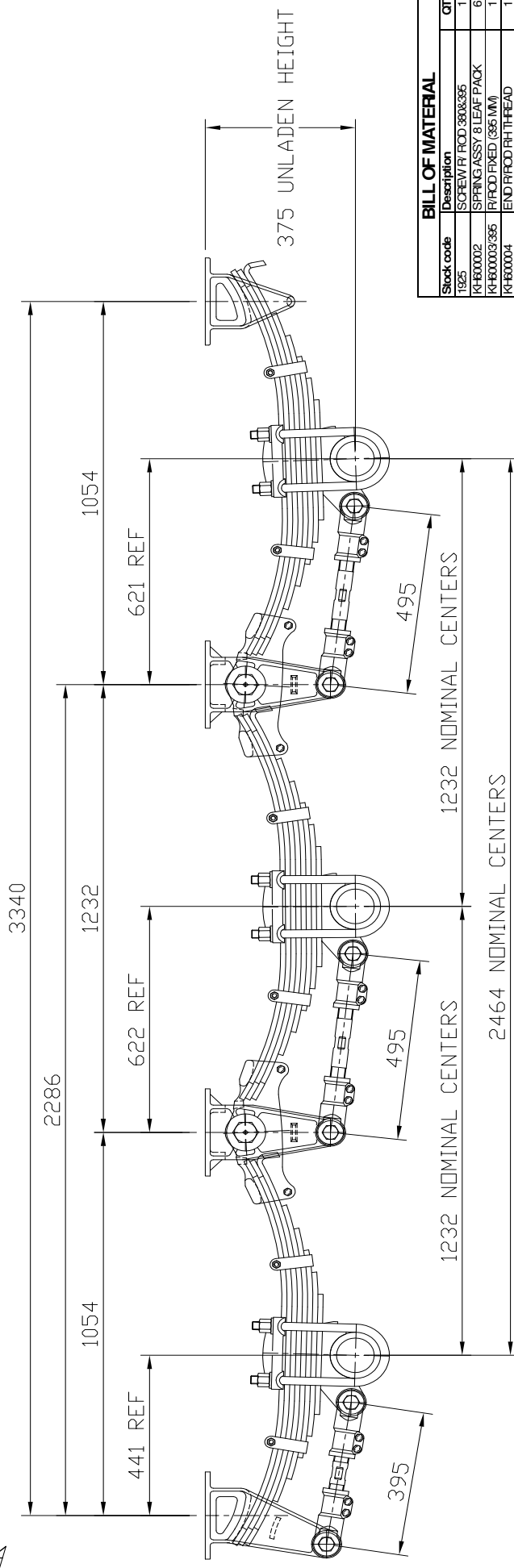
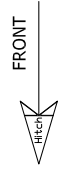
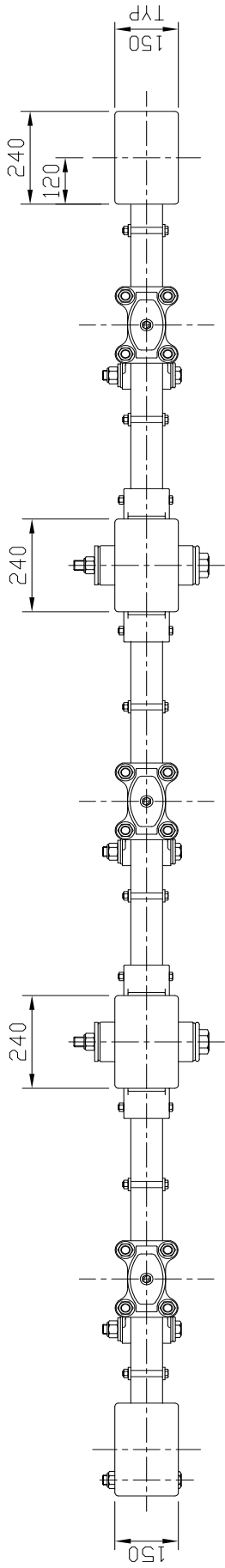


IF IN DOUBT ASK, DO NOT SCALE



**CERTIFICATION UNIT ID:**  
 SINGLE: SARN - 26585  
 TANDEM: SARN - 17051  
 TRIAXLE: SARN - 26584

BILL OF MATERIAL		
Stock code	Description	QTY
1925	SCREW FT ROD 380&386	1
KH80002	SPRING ASSY 8 LEAF PAKK	6
KH80003/86	R/ROD FIXED (865MM)	1
KH80004	END R/ROD RH TH-HEAD	1
KH80005	END R/ROD LH TH-HEAD	1
KH800014	PL SPRING CLAMP	6
KH895003	PIN ASSY R/ROD W/BUSHES	12
KH895004/825	U-BOLT 325MM 8 LEAF	12
KH80007	ROCKER EQUILIBRATOR	4
KH80018B	PIN ASSY LEO ROCKER W/BUS	4
KH80027	SEAT SPRING ULTRA LOW	6
KH812/12015	BOLT M12X120X1.75 SPRING RET	8
KH812/15	NUT M12 X 1.75 HEX NYLOC	12
KH85004W	U-BOLT W/ROD END TO AMP M12	4
KH85004W	U-BOLT WASHER 7/8	24
KH891001465	RADIUS ROD FIXED 465MM	2
KH80001	CAST HANGER REAR	2
KH80002	CAST HANGER FRONT O/S LUNG	2
KH800026	CAST EQUILIBRATOR HANGER 81.91	4
LC800X	LARGE BOX	1
M5885001/480	ADD RADIUS ROD REAR 480MM	2

**FUJWA K HITCH AUSTRALIA PTY. LTD.**



DRAWN: MM DATE: OCT 06  
 DWG NO: KHDO3B8  
 PART NO:

**IMPORTANT NOTES:**  
 1. SUSPENSION MOUNTING SURFACE MUST BE HORIZONTAL  $\pm 0.5^\circ$ .  
 2. SUSPENSION CAPACITY: 27 TONNE.  
 3. SUSPENSION SPRING DEFLECTION: 1. 4mm/tonne.  
 4. DIMENSIONS:  $\pm 3$ mm.  
 5. ESTIMATED TARE WEIGHT = 575 kg.

**RECOMMENDED SUSPENSION TIGHTENING TORQUES:**  
 U-BOLTS - 7/8" UNF = 500/540 Nm,  
 EQUALISER SHAFT NUT - 1" UNF = 290/350 Nm,  
 TORQUE ARM PIN NUT - 1" UNF = 180/200 Nm,  
 TORQUE ARM CLAMP BOLT - 1/2" UNF = 90/100 Nm,  
 EQUALISER DROP OUT BOLT - 1/2" UNF = 75/85 Nm.

THIS DRAWING AND ALL INFORMATION ON THIS DRAWING IS THE PROPERTY OF FUJWA K HITCH AUSTRALIA PTY LTD. AND MAY NOT BE COPIED IN ANY WAY OR FORM WITHOUT THE WRITTEN CONSENT OF FUJWA K HITCH AUSTRALIA PTY LTD.

TRIAXLE CAST SUSPENSION  
 375 RIDE HEIGHT

REV A - OCT 06