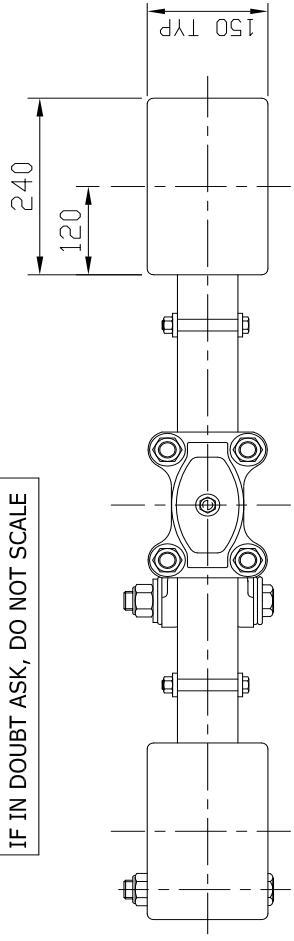
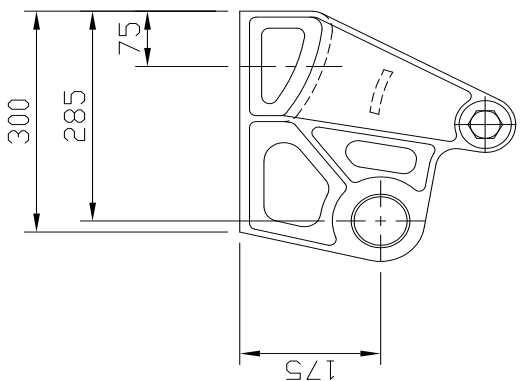
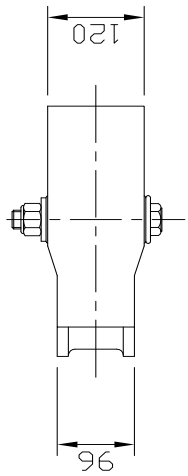
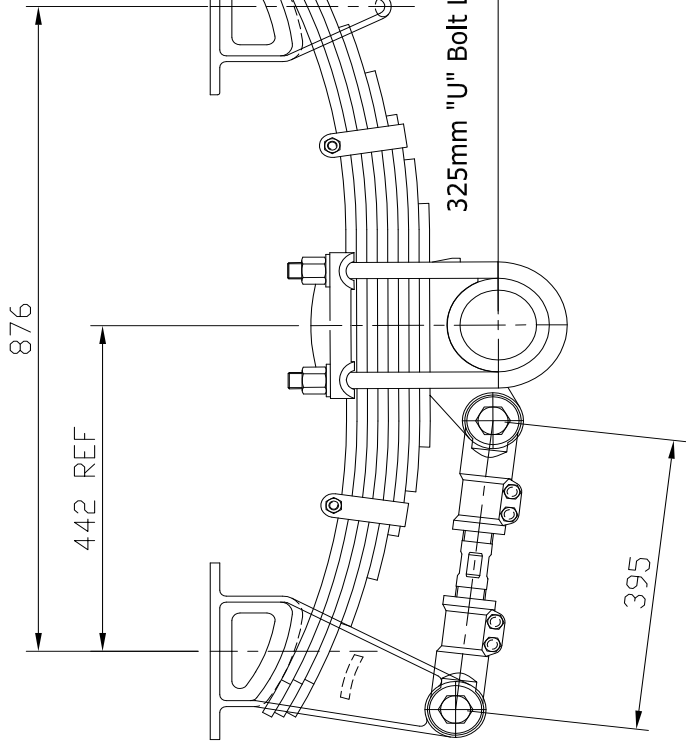


IF IN DOUBT ASK, DO NOT SCALE



FRONT



**DRAWBAR SUSPENSION
PART No: KHD01A8D/B**

CERTIFICATION UNIT ID:
SINGLE: SARN - 26585
TANDEM: SARN - 17051
TRIAXLE: SARN - 26584

RECOMMENDED SUSPENSION TIGHTENING TORQUES

- U-BOLTS - 7/8" UNF = 500/540 Nm.
- EQUALISER SHAFT NUT - 1" UNF = 290/350 Nm.
- TORQUE ARM PIN NUT - 1" UNF = 180/200 Nm.
- TORQUE ARM CLAMP BOLT - 1/2" UNF = 90/100 Nm.
- EQUALISER DROP OUT BOLT - 1/2" UNF = 75/85 Nm.

BILL OF MATERIAL

Stock code	Description	QTY
1925	SCREW F/ FOD 380&395	1
KH60002	SPRING ASSY 8 LEAF PACK	2
KH60003/395	F/ FOD FIXED (395 MM)	1
KH60004	END R/ROD RH TH-HEAD	1
KH60005	END R/ROD LH TH-HEAD	1
KH60014	PL SPRING CLAMP	2
KH885003	PIN ASSY R/ROD W/BUSHES	4
KH885004/325	U-BOLT 325MM 18 LEAF	4
KH890027	SEAT SPRING ULTRA LOW	2
KH812/15	NUT M12 X 1.75 HEX N/LOC	4
KH812/45/15	BOLT F/ROD END CLAMP M12	4
KH85004W	UBOLT WASHER 7/8	8
KH800001	CAST HANGER REAR	2
KH800022	CAST HANGER FRONT OS/SLUNG	2

**FUWA K HITCH
AUSTRALIA
PTY. LTD.**



IMPORTANT NOTES:

1. SUSPENSION MOUNTING SURFACE MUST BE HORIZONTAL $\pm 0.5^\circ$.
2. SUSPENSION CAPACITY: 9 TONNE.
3. SUSPENSION SPRING DEFLECTION: 4. 1mm/tonne.
4. DIMENSIONS: ± 3 mm.
5. ESTIMATED TARE WEIGHT = 180 kg.

DRAWN: MM DATE: OCT 06
DWG AND PART NO: **KHD01A8**

THIS DRAWING AND ALL INFORMATION ON THIS DRAWING IS THE PROPERTY OF: FUWA K HITCH AUSTRALIA PTY LTD. AND MAY NOT BE COPIED IN ANY WAY OR FORM WITHOUT THE WRITTEN CONSENT OF: FUWA K HITCH AUSTRALIA PTY LTD.

SINGLE CAST
SUSPENSION
360 RIDE HEIGHT