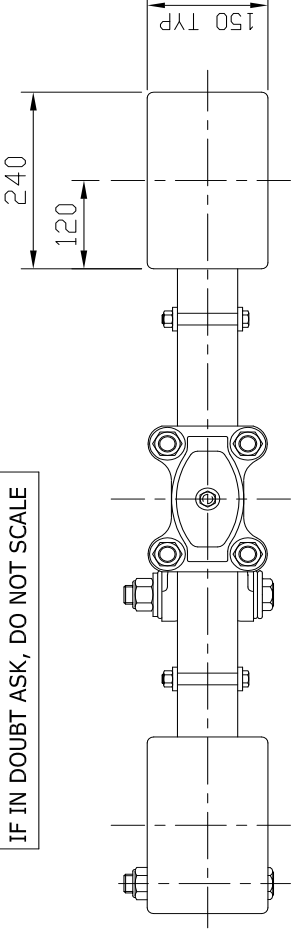


IF IN DOUBT ASK, DO NOT SCALE



FRONT

876

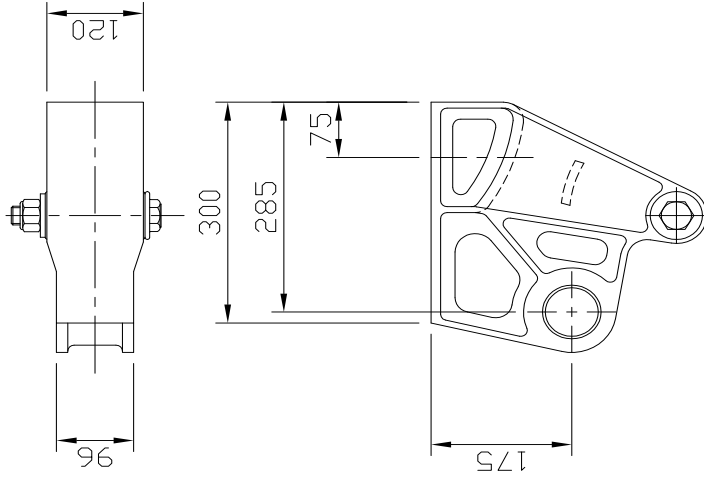
442 REF

300

285

75

175



**DRAWBAR SUSPENSION
PART No: KHDO1A8D/B**

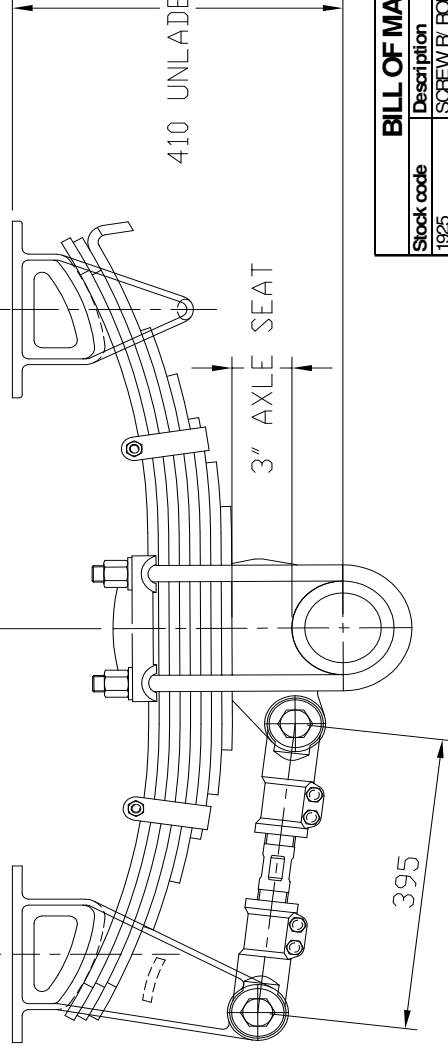
CERTIFICATION UNIT ID:
SINGLE: SARN - 26585
TANDEM: SARN - 17051
TRIAXLE: SARN - 26584

RECOMMENDED SUSPENSION TIGHTENING TORQUES

- U-BOLTS - 7/8" UNF = 500/540 Nm.
- EQUALISER SHAFT NUT - 1" UNF = 290/350 Nm.
- TORQUE ARM PIN NUT - 1" UNF = 180/200 Nm.
- TORQUE ARM CLAMP BOLT - 1/2" UNF = 90/100 Nm.
- EQUALISER DROP OUT BOLT - 1/2" UNF = 75/85 Nm.

410 UNLADEN HEIGHT

3" AXLE SEAT



BILL OF MATERIAL

Stock code	Description	QTY
1925	SCREW R/ ROD 380x395	1
KH600002	SPRING ASSY 8 LEAF PACK	2
KH600003/395	R/ROD FIXED (395 MM)	1
KH600004	END R/ROD RH THREAD	1
KH600005	END R/ROD LH THREAD	1
KH600014	PL SPRING CLAMP	2
KH600066	HANGER DRAWBAR FRONT	2
KH6860003	PIN ASSY R/ROD W/BUSHES	4
KH686004/377	U BOLT 377MM C/W NUT	4
KH686004W	UBOLT WASHER 7/8	8
KH6900025	SEAT AXLE 127 ROUND 75MM	2
KH600001	CAST HANGER REAR	2
KH-B12/15	NUT M12 X 1.75 HEX NYLOC	4
KH-B12/45/15	BOLT R/ROD END CLAMP M12	4

**FUWA K HITCH
AUSTRALIA
PTY. LTD.**



THIS DRAWING AND ALL INFORMATION ON THIS DRAWING IS THE PROPERTY OF: FUWA K HITCH AUSTRALIA PTY LTD. AND MAY NOT BE COPIED IN ANY WAY OR FORM WITHOUT THE WRITTEN CONSENT OF: FUWA K HITCH AUSTRALIA PTY LTD.

IMPORTANT NOTES:

1. SUSPENSION MOUNTING SURFACE MUST BE HORIZONTAL $\pm 0.5^\circ$.
2. SUSPENSION CAPACITY: 9 TONNE.
3. SUSPENSION SPRING DEFLECTION: 4. 1mm/tonne.
4. DIMENSIONS: ± 3 mm.
5. ESTIMATED TARE WEIGHT = 390 kg.

DRAWN MM DATE

OCT 06

DWG AND PART NO:

KHDO1A8DB-3

SINGLE CAST
SUSPENSION
410 RIDE HEIGHT

REV A - OCT 06