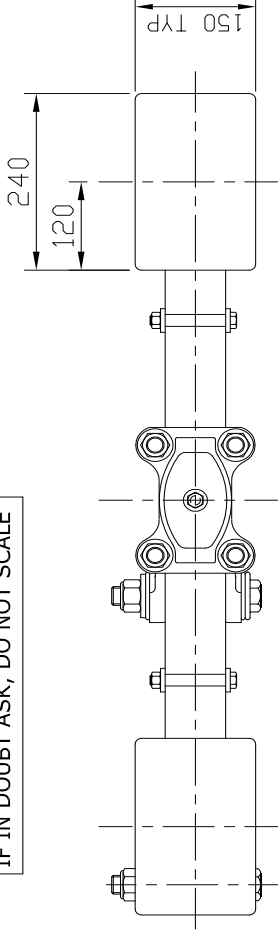


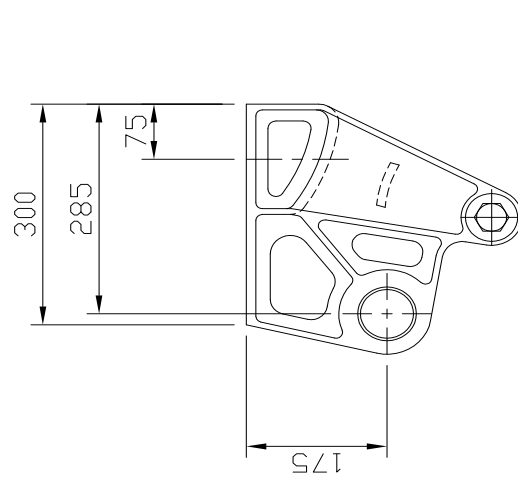
IF IN DOUBT ASK, DO NOT SCALE



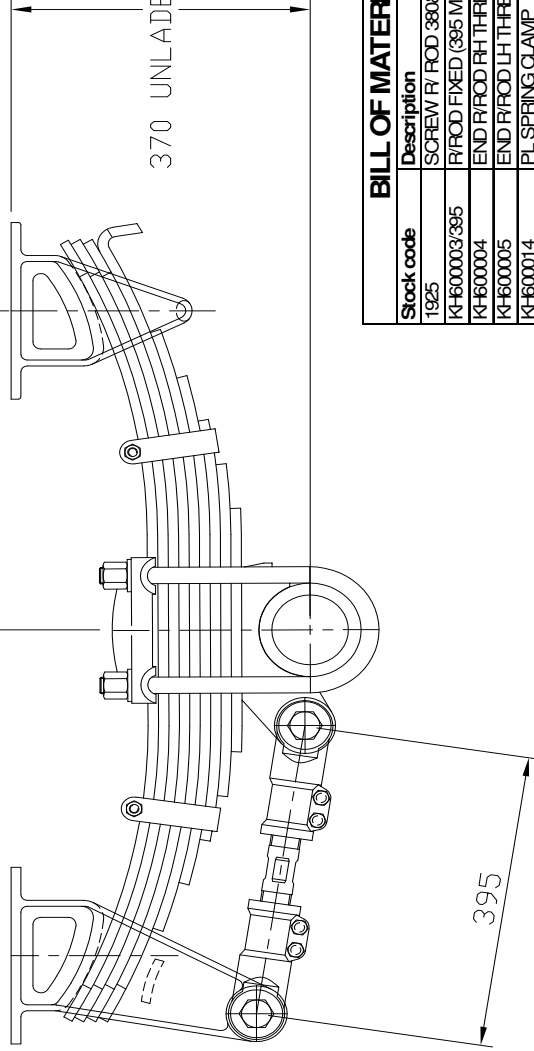
FRONT

876

442 REF



370 UNLADEN HEIGHT



**DRAWBAR SUSPENSION
PART No: KHDO1A9D/B**

CERTIFICATION UNIT ID:
SINGLE: SARN - 26585
TANDEM: SARN - 17051
TRIAxLE: SARN - 26584

RECOMMENDED SUSPENSION TIGHTENING TORQUES

- U-BOLTS - 7/8" UNF = 500/540 Nm.
- EQUALISER SHAFT NUT - 1" UNF = 290/350 Nm.
- TORQUE ARM PIN NUT - 1" UNF = 180/200 Nm.
- TORQUE ARM CLAMP BOLT - 1/2" UNF = 90/100 Nm.
- EQUALISER DROP OUT BOLT - 1/2" UNF = 75/85 Nm.

IMPORTANT NOTES:

1. SUSPENSION MOUNTING SURFACE MUST BE HORIZONTAL $\pm 0.5^\circ$.
2. SUSPENSION CAPACITY: 10 TONNE.
3. SUSPENSION SPRING DEFLECTION: 3.5mm/tonne.
4. DIMENSIONS: ± 3 mm.
5. ESTIMATED TARE WEIGHT = 205 kg.

FUWA K HITCH
AUSTRALIA
PTY. LTD.

DWG AND PART NO: **KHDO1A9**

THIS DRAWING AND ALL INFORMATION ON THIS DRAWING IS THE PROPERTY OF: FUWA K HITCH AUSTRALIA PTY. LTD. AND MAY NOT BE COPIED IN ANY WAY OR FORM WITHOUT THE WRITTEN CONSENT OF: FUWA K HITCH AUSTRALIA PTY. LTD.

SINGLE CAST
SUSPENSION
370 RIDE HEIGHT

BILL OF MATERIAL

Stock code	Description	QTY
1925	SCREW R/ ROD 380&385	1
K-600003395	R/ROD FIXED (395MM)	1
K-600004	END R/ROD RH THREAD	1
K-600005	END R/ROD LH THREAD	1
K-600014	PL SPRING CLAMP	2
K-600026	SPRING ASSY 9 LEAF PACK	2
K-6880003	PIN ASSY R/ROD W/BUSHES	4
K-688004350	UBOLT 350MM 9 LEAF	4
K-688004W	UBOLT WASHER 7/8	8
K-690027	SEAT SPRING ULTRA LOW	2
K-900001	CAST HANGER REAR	2
K-900022	CAST HANGER FRONT O/S LUNG	2
K-4B12/15	NUT M12 X 1.75 HEX NYLOC	4
K-4B12/45/15	BOLT R/ROD END CLAMP M12	4

DRAWN MM DATE OCT '06