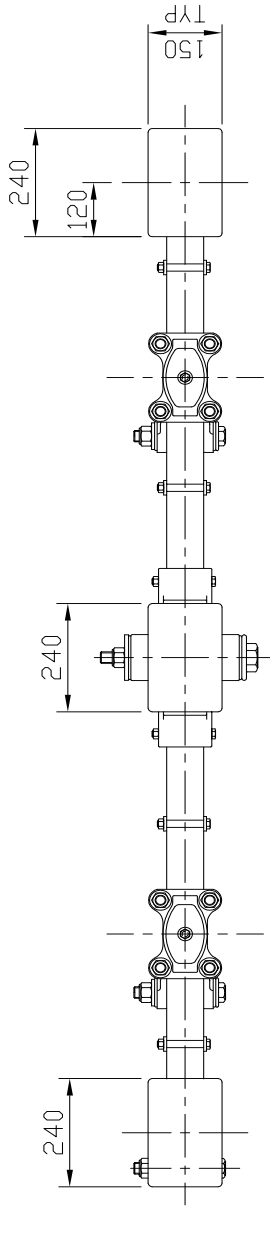
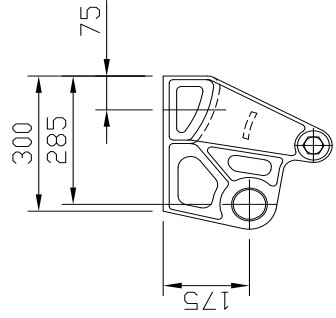
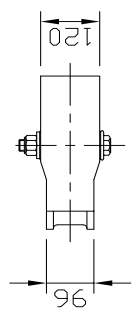


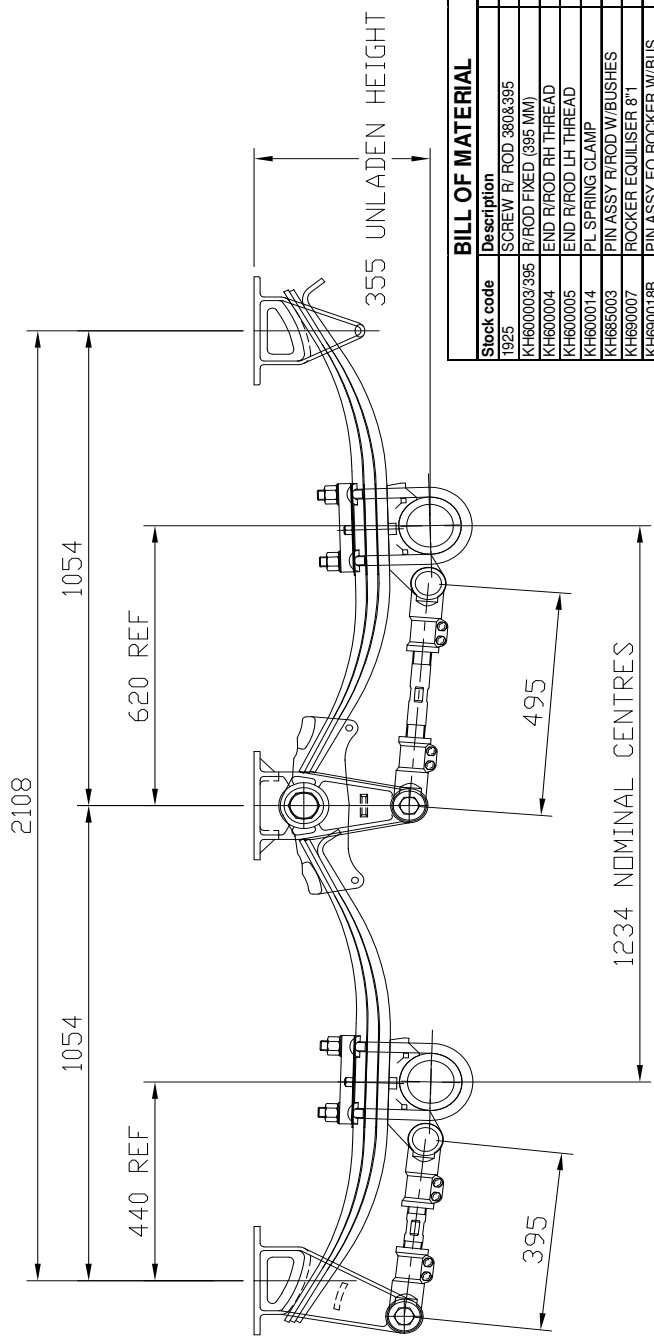
IF IN DOUBT ASK, DO NOT SCALE



FRONT



**DRAWBAR SUSPENSION**  
**PART No: KHDO288D/B**



BILL OF MATERIAL		QTY
1925	SCREW R/ ROD 380&395	1
KH600003/395	R/ROD FIXED (395 MM)	1
KH600004	END R/ROD RH THREAD	1
KH600005	END R/ROD LH THREAD	1
KH600014	PL SPRING CLAMP	4
KH685003	PIN ASSY R/ROD W/BUSHES	8
KH680007	ROCKER EQUILISER 8" T	2
KH680018B	PIN ASSY EQ ROCKER W/BUS	2
KH680027	SEAT SPRING ULTRA LOW	4
KHB12/120/15	BOLT M12X120X1.75 SPRING RET	4
KHB12/15	NUT M12 X 1.75 HEX NYLOC	8
KHB12/45/15	BOLT R/ROD END CLAMP M12	4
LRGBOX	LARGE BOX	1
KH600037	SPRING ASSY 3 LEAF TAPER	4
KH685004/290	U-BOLT 290MM 3 LEAF	8
KH685004W	UBOLT WASHER 7/8	16
KH691100/495	RADIUS ROD FIXED 495MM	1
KH900001	CAST HANGER REAR	2
KH900022	CAST HANGER FRONT O/S LUNG	2
KH900026	CAST EQUILISER HANGER 8" 1.9" 1	2
MS685001/490	ADJ RADIUS ROD REAR 490MM	1

**CERTIFICATION UNIT ID:**  
SINGLE: SARN - 26585  
TANDEM: SARN - 17051  
TRIAXLE: SARN - 26584

**RECOMMENDED SUSPENSION TIGHTENING TORQUES**

- U-BOLTS - 7/8" UNF = 500/540 Nm,
- EQUALISER SHAFT NUT - 1" UNF = 290/350 Nm,
- TORQUE ARM PIN NUT - 1" UNF = 180/200 Nm,
- TORQUE ARM CLAMP BOLT - 1/2" UNF = 90/100 Nm,
- EQUALISER DROP OUT BOLT - 1/2" UNF = 75/85 Nm,

**IMPORTANT NOTES:**

- SUSPENSION MOUNTING SURFACE MUST BE HORIZONTAL  $\pm 0.5^\circ$ .
- SUSPENSION CAPACITY: 18 TONNE.
- SUSPENSION SPRING DEFLECTION: 1. 4mm/tonne.
- DIMENSIONS:  $\pm 3$ mm.
- ESTIMATED TARE WEIGHT = 330 kg.

**FUJWA K HITCH**  
**AUSTRALIA**  
**PTY. LTD.**

THIS DRAWING AND ALL INFORMATION ON THIS DRAWING IS THE PROPERTY OF: FUJWA K HITCH AUSTRALIA PTY LTD. AND MAY NOT BE COPIED IN ANY WAY OR FORM WITHOUT THE WRITTEN CONSENT OF: FUJWA K HITCH AUSTRALIA PTY LTD.

DRAWN SH DATE FEB 07

DWG AND PART NO: **KHDO2B3**

3 LEAF TANDEM  
CAST SUSPENSION  
355 RIDE HEIGHT