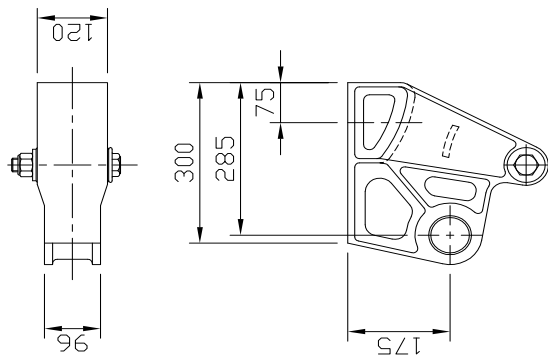


IF IN DOUBT ASK, DO NOT SCALE

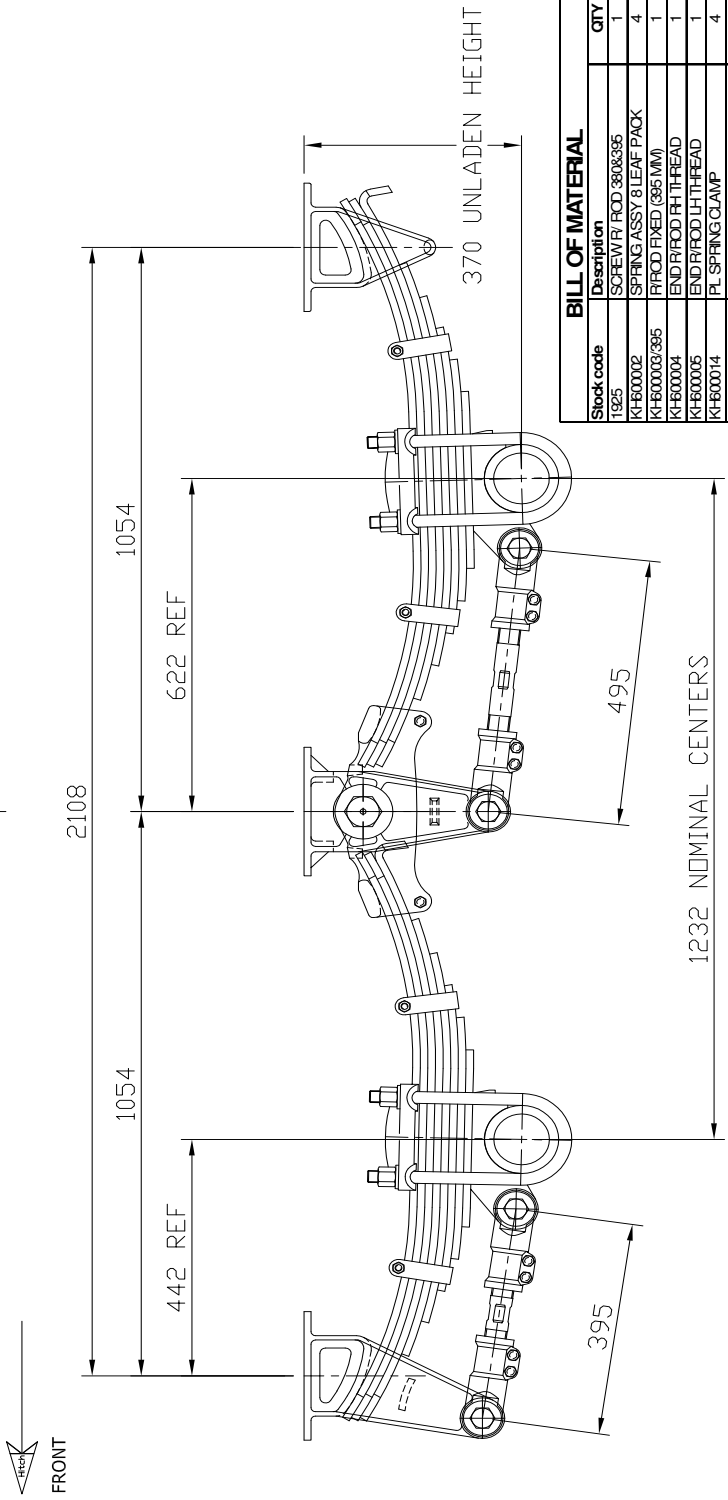
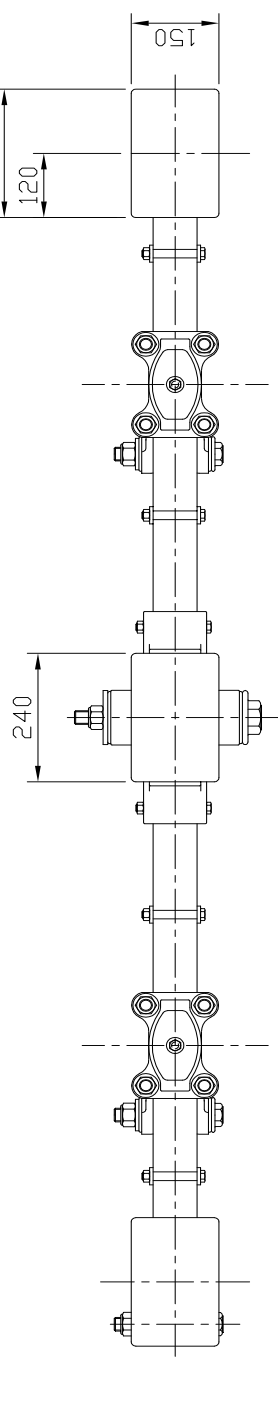


**DRAWBAR SUSPENSION**  
PART No: KHDO2B8D/B

**CERTIFICATION UNIT ID:**  
SINGLE: SARN - 26585  
TANDEM: SARN - 17051  
TRIAXLE: SARN - 26584

**RECOMMENDED SUSPENSION TIGHTENING TORQUES**

- U-BOLTS - 7/8" UNF = 500/540 Nm.
- EQUALISER SHAFT NUT - 1" UNF = 290/350 Nm.
- TORQUE ARM PIN NUT - 1" UNF = 180/200 Nm.
- TORQUE ARM CLAMP BOLT - 1/2" UNF = 90/100 Nm.
- EQUALISER DROP OUT BOLT - 1/2" UNF = 75/85 Nm.



**BILL OF MATERIAL**

Stock code	Description	QTY
1925	SCREW/RY ROD 380&395	1
KI-F60002	SPRING ASSY 8 LEAF PACK	4
KI-F60003/395	R/RD FIXED (395MM)	1
KI-F60004	END R/RD LH THREAD	1
KI-F60005	END R/RD RH THREAD	1
KI-F60014	PL SPRING CLAMP	4
KI-F66003	PIN ASSY R/RFD W/BUSHES	8
KI-F66004/325	UBOLT 325MM 18 LEAF	8
KI-F60007	HOOKER EQUALISER 8"1	2
KI-F60018B	PIN ASSY EQ ROCKER W/BUS	2
KI-F60027	SEAT SPRING ULTRA LOW	4
KI-B12120715	BOLT M12X120X1.75 SPRING RET	4
KI-B121715	NUT M12 X1.75 HEX NYLOC	8
KI-B1214515	BOLT R/RFD END CLAMP M12	4
LR BOX	LARGE BOX	1
KI-F66004W	LBOLT WASHER 7/8	16
KI-F69100/495	RADIUS RFD FIXED 495MM	1
KI-F60001	CAST HANGER REAR	2
KI-F60002	CAST HANGER FRONT O/S LUNG	2
KI-F600026	CAST EQUALISER HANGER 8"1 9"1	2
M6686001/490	ADJ RADIUS RFD REAR 490MM	1

**FUJWA K HITCH**



**AUSTRALIA**  
**PTY. LTD.**

DWG AND PART NO: **KHDO2B8**

DRAWN MM DATE  OCT 06

THIS DRAWING AND ALL INFORMATION ON THIS DRAWING IS THE PROPERTY OF: FUJWA K HITCH AUSTRALIA PTY LTD. AND MAY NOT BE COPIED IN ANY WAY OR FORM WITHOUT THE WRITTEN CONSENT OF: FUJWA K HITCH AUSTRALIA PTY LTD.

TANDEM CAST SUSPENSION  
370 RIDE HEIGHT