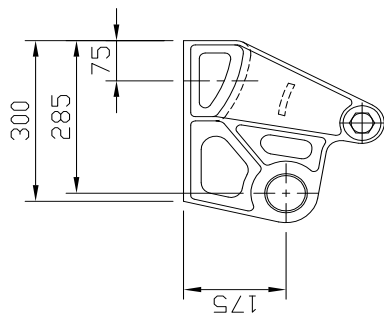
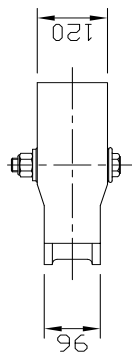
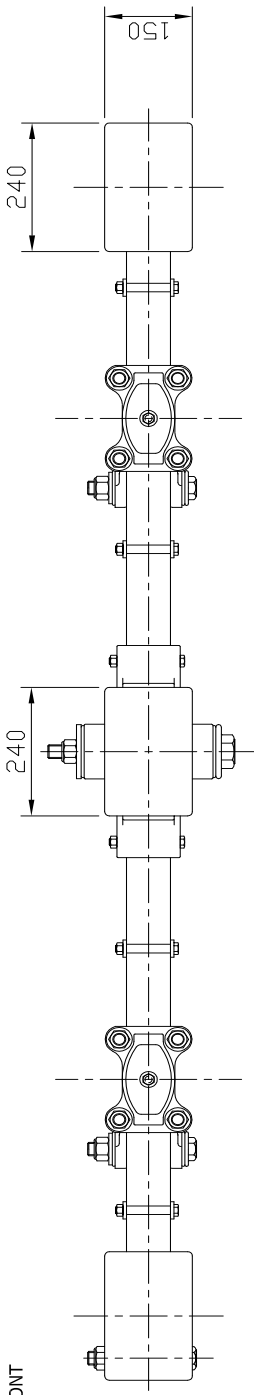


IF IN DOUBT ASK, DO NOT SCALE

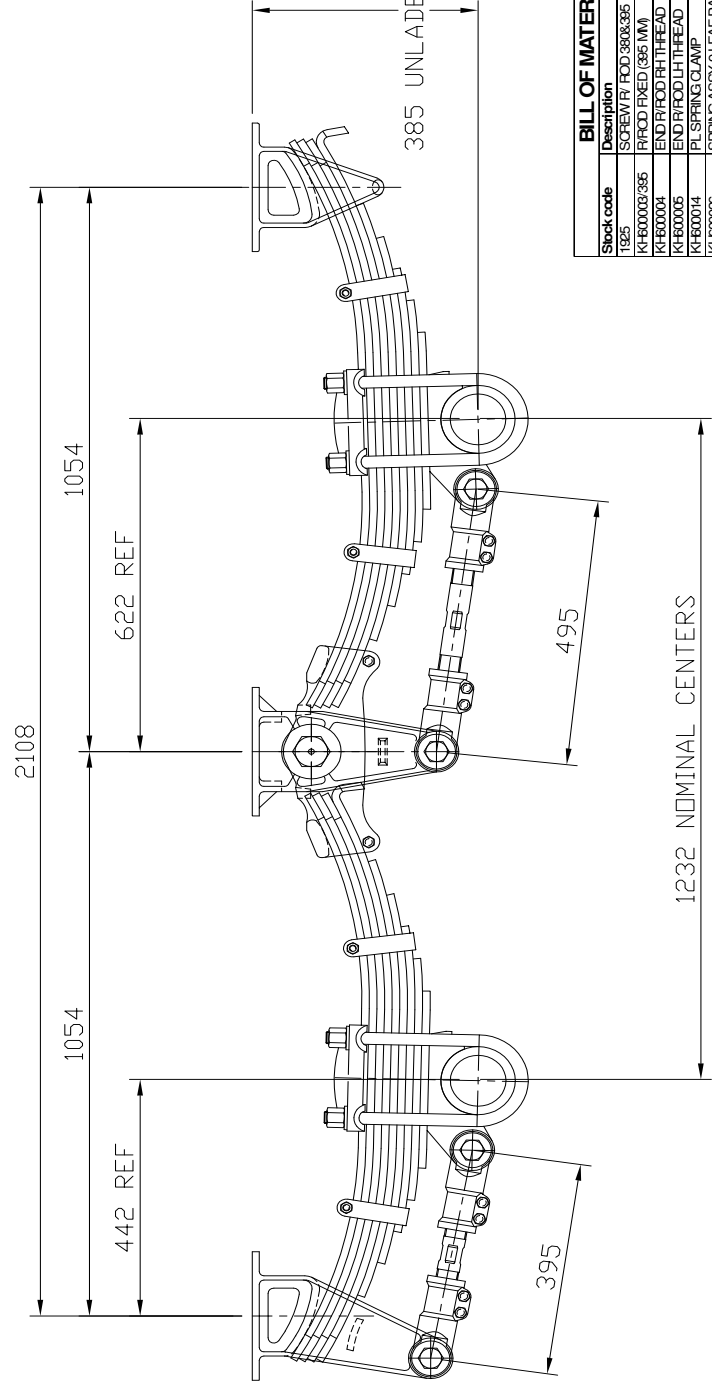


FRONT



DRAWBAR SUSPENSION
PART No: KHDO2B8D/B

CERTIFICATION UNIT ID:
SINGLE: SARN - 26585
TANDEM: SARN - 17051
TRIAXLE: SARN - 26584



Stock code	Description	QTY
1025	SOBREM/FI FOD 380x386	1
KF-B0003-386	RPOD FIXED (386 MM)	1
KF-B0004	END RPOD RH THREAD	1
KF-B0005	END RPOD LH THREAD	1
KF-B0014	PL SPRING CLAMP	4
KF-B0028	SPRING ASSY 9 LEAF PAKG	4
KF-B65003	PN ASSY RPOD W/BUSHES	8
KF-B65004-350	UBOLT 350MM 19 LEAF	8
KF-B65004W	UBOLT WASHER 7/8	16
KF-B0007	ROCKER/EQUALISER 8T	2
KF-B0018B	PN ASSY EO FOCKER/W/BL	2
KF-B0027	SEAT SPRING ULTRA LOW	4
KF-B91103/496	RADIUS ROD FIXED 496MM	1
KF-B0001	CAST HANGER REAR	2
KF-B0002	CAST HANGER FRONT / SLUNG	2
KF-B0028	CAST EQUALISER HANGER 8T 1.9T	2
KF-B12/120/15	BOLT M12X120X1.75 SPRING RET	4
KF-B12/15	NUT M12 X 1.75 HEX NYLOC	8
KF-B12/46/15	BOLT RPOD END CLAMP M12	4
LF-BOX	LARGE BOX	1
MS66001/480	ADD RADIUS ROD REAR 480MM	1

RECOMMENDED SUSPENSION TIGHTENING TORQUES

- U-BOLTS - 7/8" UNF = 500/540 Nm.
- EQUALISER SHAFT NUT - 1" UNF = 290/350 Nm.
- TORQUE ARM PIN NUT - 1" UNF = 180/200 Nm.
- TORQUE ARM CLAMP BOLT - 1/2" UNF = 90/100 Nm.
- EQUALISER DROP OUT BOLT - 1/2" UNF = 75/85 Nm.

IMPORTANT NOTES:

- SUSPENSION MOUNTING SURFACE MUST BE HORIZONTAL $\pm 0.5^\circ$.
- SUSPENSION CAPACITY: 20 TONNE.
- SUSPENSION SPRING DEFLECTION: 1.75mm/tonne.
- DIMENSIONS: ± 3 mm.
- ESTIMATED TARE WEIGHT = 420 kg.



THIS DRAWING AND ALL INFORMATION ON THIS DRAWING IS THE PROPERTY OF: FUJWA K HITCH AUSTRALIA PTY LTD. AND MAY NOT BE COPIED IN ANY WAY OR FORM WITHOUT THE WRITTEN CONSENT OF: FUJWA K HITCH AUSTRALIA PTY LTD.

DRAWN: MM DATE: OCT 06

DWG AND PART NO: **KHDO2B9**

TANDEM CAST SUSPENSION
385 RIDE HEIGHT