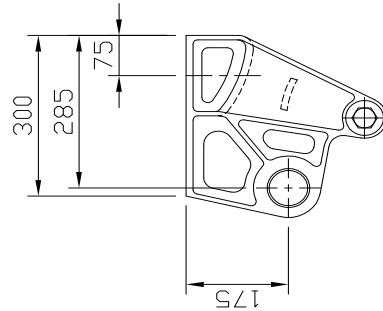
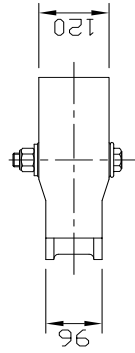
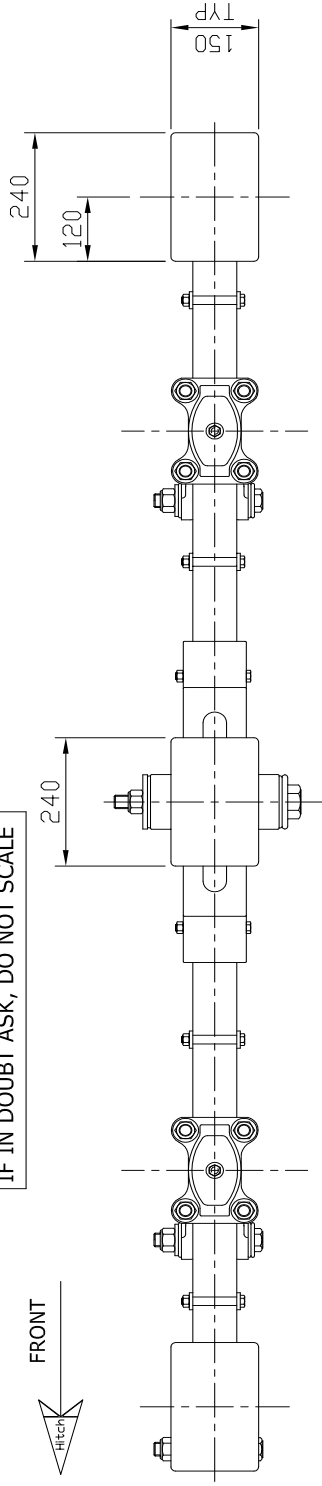
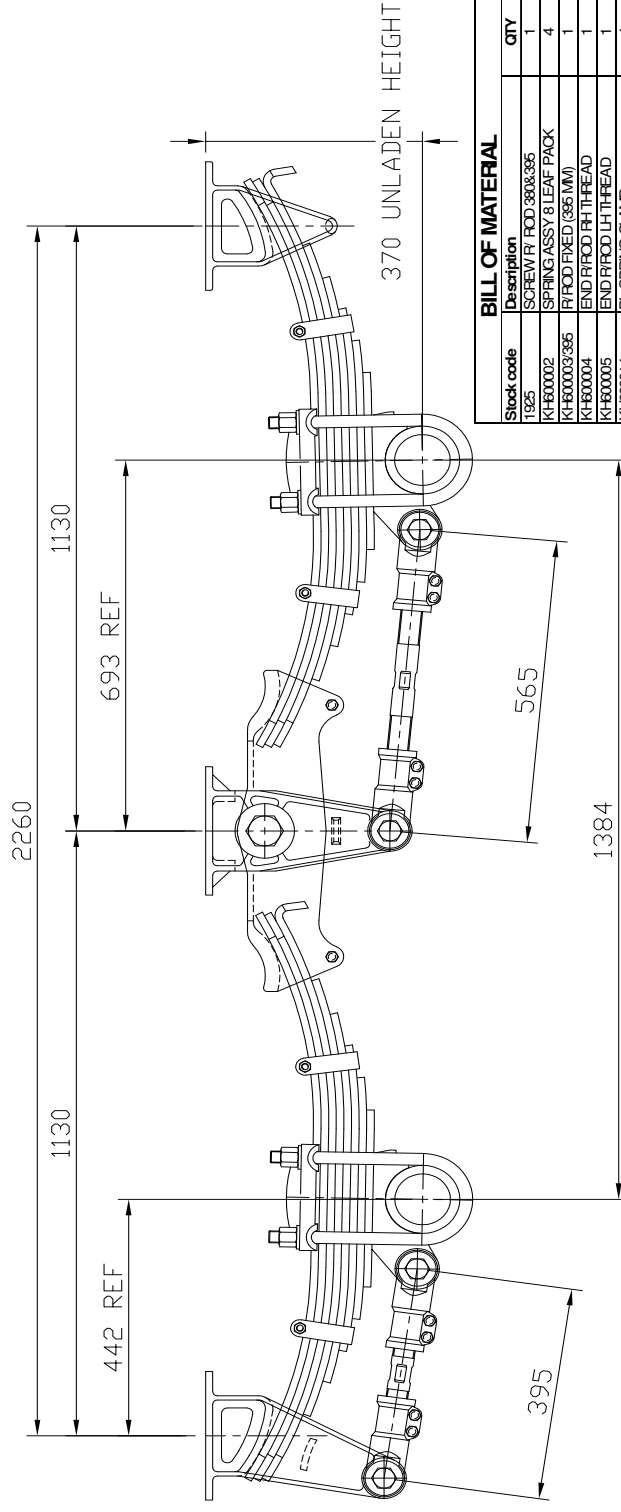


IF IN DOUBT ASK, DO NOT SCALE



**DRAWBAR SUSPENSION**  
**PART No: KHDO2C8D/B**

**CERTIFICATION UNIT ID:**  
SINGLE: SARN - 26585  
TANDEM: SARN - 17051  
TRIAXLE: SARN - 26584



**BILL OF MATERIAL**

Stock code	Description	QTY
1925	SCREW FT ROD 30X3.35	1
KH60002	SPRING ASSY 8 LEAF PAKG	4
KH60003/356	R/ROD FIXED (356 MM)	1
KH60004	END ROD RH TH-HEAD	1
KH60005	END ROD LH TH-HEAD	1
KH60014	PL SPRING CLAMP	4
KH665003	PIN ASSY R/ROD WBUSHES	8
KH665004/325	U/BOLT 325MM 8 LEAF	8
KH60018B	PIN ASSY EQ ROCKER/W/BUIS	2
KH60020	ROCKER EQUALISER 2.7M	2
KH60027	SEAT SPRING ULTRA LOW	4
KH612120/15	BOLT M12X120X1.75 SPRING RET	4
KH61215	NUT M12 X 1.75 HEX NYLOC	8
KH61245/15	BOLT R/ROD END CLAMP M12	4
LC60X	LARGE BOX	1
KH66504W	LBOLT WASHER 7/8	16
KH691100/565	RADIUS ROD FIXED 565MM	1
KH60001	CAST HANGER REAR	2
KH60022	CAST HANGER FRONT OS/SLUNG	2
KH60026	CAST EQUALISER HANGER 811.9"1	2
MS685001/560	R/ROD ADJ FRONT 560	1

**FUJWA K HITCH**  
**AUSTRALIA**  
**PTY. LTD.**



DRAWN: MM DATE: OCT 06  
DWG AND PART NO: **KHDO2C8**

TANDEM CAST SUSPENSION  
370 RIDE HEIGHT

REV A - OCT 06

**RECOMMENDED SUSPENSION TIGHTENING TORQUES:**

- U-BOLTS - 7/8" UNF = 500/540 Nm.
- EQUALISER SHAFT NUT - 1" UNF = 290/350 Nm.
- TORQUE ARM PIN NUT - 1" UNF = 180/200 Nm.
- TORQUE ARM CLAMP BOLT - 1/2" UNF = 90/100 Nm.
- EQUALISER DROP OUT BOLT - 1/2" UNF = 75/85 Nm.

**IMPORTANT NOTES:**

- SUSPENSION MOUNTING SURFACE MUST BE HORIZONTAL  $\pm 0.5^\circ$ .
- SUSPENSION CAPACITY: 18 TONNE.
- SUSPENSION SPRING DEFLECTION: 2.1mm/tonne.
- DIMENSIONS:  $\pm 3mm$ .
- ESTIMATED TARE WEIGHT = 395 kg.

THIS DRAWING AND ALL INFORMATION ON THIS DRAWING IS THE PROPERTY OF: FUJWA K HITCH AUSTRALIA PTY LTD. AND MAY NOT BE COPIED IN ANY WAY OR FORM WITHOUT THE WRITTEN CONSENT OF: FUJWA K HITCH AUSTRALIA PTY LTD.