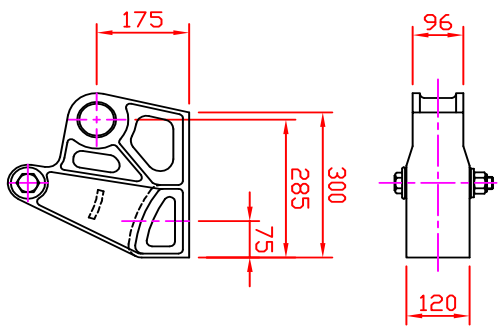
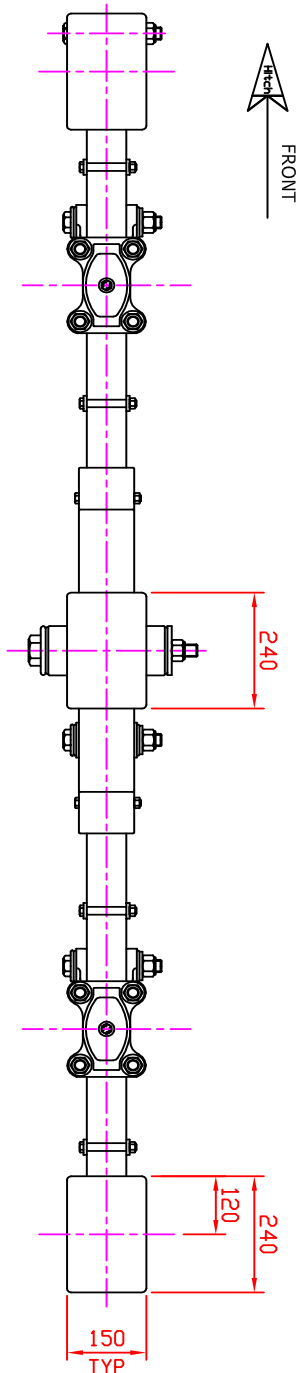
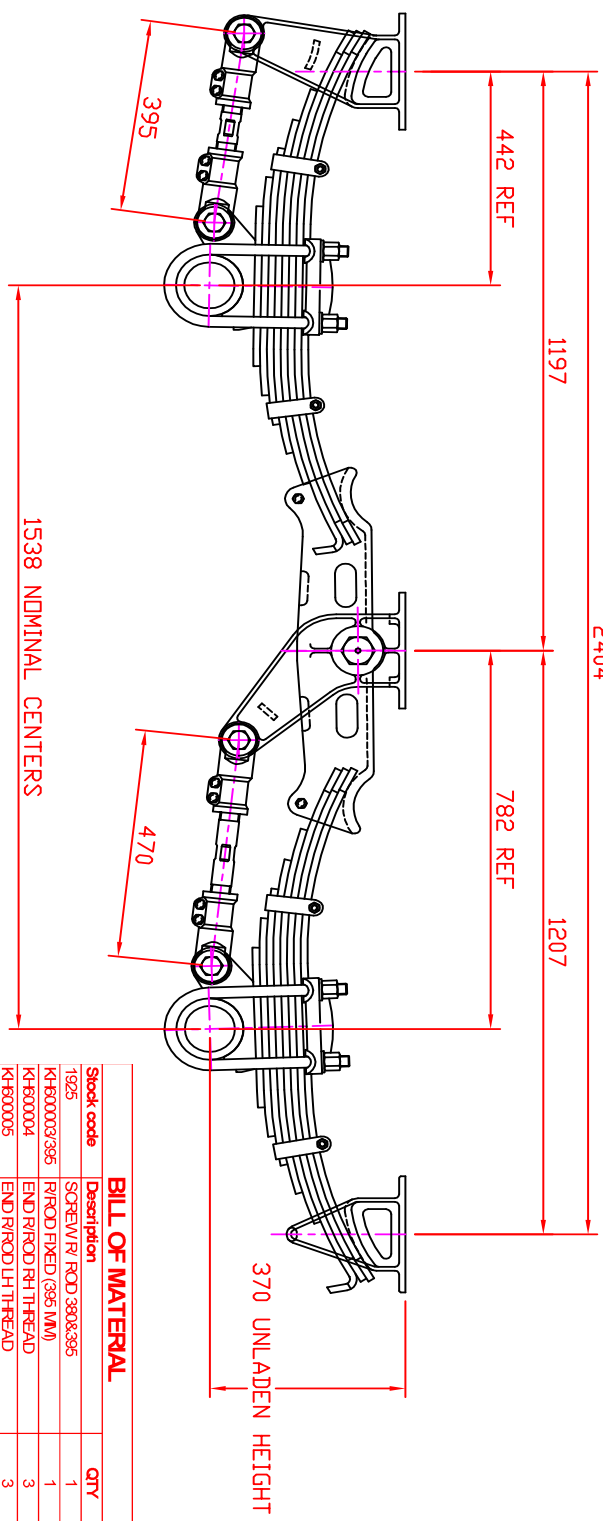


IF IN DOUBT ASK, DO NOT SCALE



DRAWBAR SUSPENSION
PART NO: KHDO2D8D/B



BILL OF MATERIAL

Stock code	Description	QTY
1925	SCREW/RV ROD 360x395	1
KH60003/365	R/ROD FIXED (365 MM)	1
KH60004	END R/ROD RH TH HEAD	3
KH60005	END R/ROD LH TH HEAD	3
KH60014	PL SPRING CLAMP	6
KH60025	ROCKER EQUALISER 3.07M	4
KH68003	PIN ASSY R/ROD W/BUSHES	12
KH68004/325	UBOLT 325MM 8 LEAF	12
KH69018B	PIN ASSY EQ ROCKER W/BUS	4
KH69027	SEAT SPRING ULTRA LOW	6
KH-B12/120/15	BOLT M12X120X1.75 SPRING RET	8
KH-B12/15	NUT M12 X 1.75 HEX NUT LOC	20
KH-B12/45/15	BOLT R/ROD END CLAMP M12	12
1927	LARGE BOX	1
KH80002	SCREW/R/ROD 465 MM/ROD	2
KH88504W	SPRING ASSY 8 LEAF PACK	6
KH891100/470	UBOLT W/ASHER 7/8	24
KH80001	RADIUS ROD FIXED 470MM	2
KH80022	CAST HANGER REAR	2
KH80022	CAST HANGER FRONT OS/SLUNG	2
KH80002E	CAST EQUALISER HANGER 10*1	4

RECOMMENDED SUSPENSION TIGHTENING TORQUES

- U-BOLTS - 7/8" UNF = 500/540 Nm,
- EQUALISER SHAFT NUT - 1" UNF = 290/350 Nm,
- TORQUE ARM PIN NUT - 1" UNF = 180/200 Nm,
- TORQUE ARM CLAMP BOLT - 1/2" UNF = 90/100 Nm,
- EQUALISER DROP OUT BOLT - 1/2" UNF = 75/85 Nm,

CERTIFICATION UNIT ID:

SINGLE: SARL - 26585
TANDEM: SARL - 17051
TRAXLE: SARL - 26584

IMPORTANT NOTES:

- SUSPENSION MOUNTING SURFACE MUST BE HORIZONTAL ±0.5°.
- SUSPENSION CAPACITY: 18 TONNE.
- SUSPENSION SPRING DEFLECTION: 2.1mm/tonne.
- DIMENSIONS: ±3mm.
- ESTIMATED TARE WEIGHT = 400 kg.

FUWA K HITCH AUSTRALIA PTY. LTD.

KHDO2D8

THIS DRAWING AND ALL INFORMATION ON THIS DRAWING IS THE PROPERTY OF: FUWA K HITCH AUSTRALIA PTY LTD. AND MAY NOT BE COPIED IN ANY WAY OR FORM WITHOUT THE WRITTEN CONSENT OF: FUWA K HITCH AUSTRALIA PTY LTD.

TANDEM CAST SUSPENSION 370 RIDE HEIGHT

REV A1 OCT 06