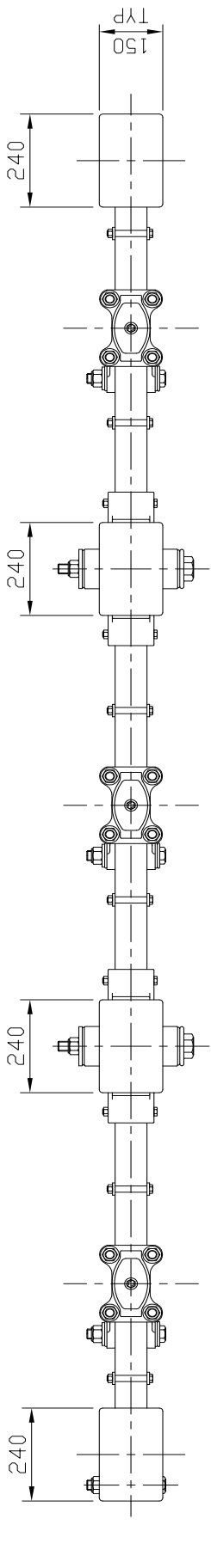
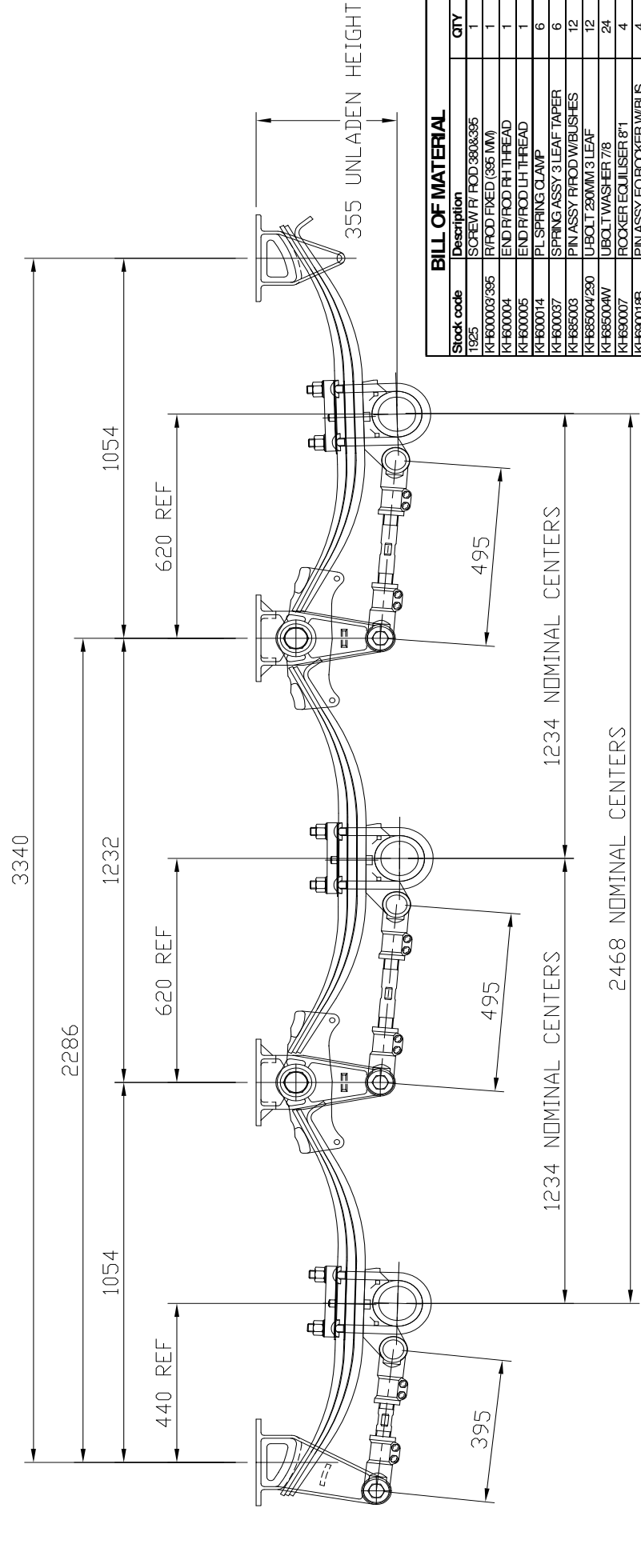


IF IN DOUBT ASK, DO NOT SCALE



FRONT



Stock code	Description	QTY
1925	SOFFLEW RT ROD 380&395	1
KI-F60003/395	R/ROD FIXED (395 MM)	1
KI-F60004	END R/ROD RH THREAD	1
KI-F60005	END R/ROD LH THREAD	1
KI-F600014	PL SPRING CLAMP	6
KI-F600037	SPRING ASSY 3 LEAF TAPER	6
KI-F665003	PIN ASSY R/ROD W/BUSHES	12
KI-F665004/280	U/BOLT 280MM 3 LEAF	12
KI-F665004W	U/BOLT WASHER 7/8	24
KI-F660007	ROCKER EQUALISER 8"1	4
KI-F660018B	PIN ASSY EQ ROCKER W/BUS	4
KI-F660027	SEAT SPRING ULTRA LOW	6
KI-F661100/466	RADIUS ROD FIXED 466MM	2
KI-F660001	CAST HANGER REAR	2
KI-F660022	CAST HANGER FRONT O'SLING	2
KI-F660026	CAST EQUALISER HANGER 8"1 9"1	4
KI-F612/120/15	BOLT M12X120X1.75 SPRING RET	8
KI-F612/15	NUT M12 X1.75 HEX NYLOC	12
KI-F612/45/15	BOLT R/ROD END CLAMP M12	4
MS666001/460	ADJ RADIUS ROD REAR 460MM	2

BILL OF MATERIAL

CERTIFICATION UNIT ID:
 SINGLE: SARN - 26585
 TANDEM: SARN - 17051
 TRIAXLE: SARN - 26584

<p>FUJWA K HITCH AUSTRALIA PTY. LTD.</p> <p>THIS DRAWING AND ALL INFORMATION ON THIS DRAWING IS THE PROPERTY OF: FUJWA K HITCH AUSTRALIA PTY LTD. AND MAY NOT BE COPIED IN ANY WAY OR FORM WITHOUT THE WRITTEN CONSENT OF: FUJWA K HITCH AUSTRALIA PTY LTD.</p>	<p>DRAWN: MM DATE: OCT 06</p> <p>DWG AND PART NO: KHDO3B3</p> <p>3 LEAF TRIAXLE CAST SUSPENSION 355 RIDE HEIGHT</p>
<p>IMPORTANT NOTES:</p> <ol style="list-style-type: none"> SUSPENSION MOUNTING SURFACE MUST BE HORIZONTAL $\pm 0.5^\circ$. SUSPENSION CAPACITY: 27 TONNE. SUSPENSION SPRING DEFLECTION: 1. 4mm/tonne. DIMENSIONS: ± 3mm. ESTIMATED TARE WEIGHT = 390 kg. 	<p>RECOMMENDED SUSPENSION TIGHTENING TORQUES</p> <p>U-BOLTS - 7/8" UNF = 500/540 Nm. EQUALISER SHAFT NUT - 1" UNF = 290/350 Nm. TORQUE ARM PIN NUT - 1" UNF = 180/200 Nm. TORQUE ARM CLAMP BOLT - 1/2" UNF = 90/100 Nm. EQUALISER DROP OUT BOLT - 1/2" UNF = 75/85 Nm.</p>