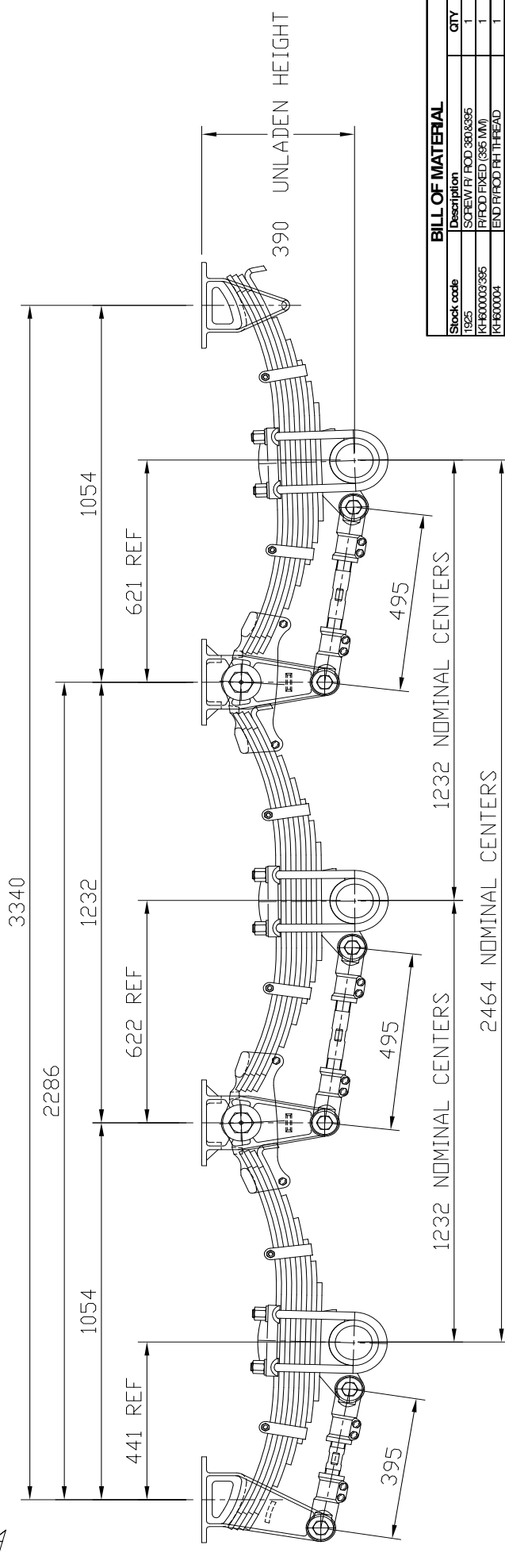
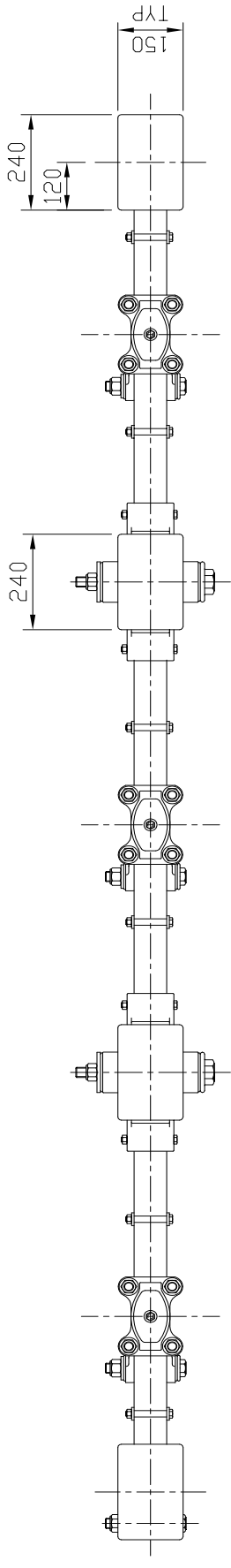


IF IN DOUBT ASK, DO NOT SCALE



CERTIFICATION UNIT ID:
 SINGLE: SARN - 26585
 TANDEM: SARN - 17051
 TRIAXLE: SARN - 26584

IMPORTANT NOTES:

1. SUSPENSION MOUNTING SURFACE MUST BE HORIZONTAL $\pm 0.5^\circ$.
2. SUSPENSION CAPACITY: 30 TONNE.
3. SUSPENSION SPRING DEFLECTION: 1. 2mm/tonne.
4. DIMENSIONS: $\pm 3mm$.
5. ESTIMATED TARE WEIGHT = 625 kg.

RECOMMENDED SUSPENSION TIGHTENING TORQUES:

- U-BOLTS - $7/8"$ UNF = 500/540 Nm.
- EQUALISER SHAFT NUT - $1"$ UNF = 290/350 Nm.
- TORQUE ARM PIN NUT - $1"$ UNF = 180/200 Nm.
- TORQUE ARM CLAMP BOLT - $1/2"$ UNF = 90/100 Nm.
- EQUALISER DROP OUT BOLT - $1/2"$ UNF = 75/85 Nm.

BILL OF MATERIAL

Stock code	Description	QTY
1925	SCREW P/ ROD 360x395	1
KH60003385	R/FOD FIXED (385 MM)	1
KH600004	END R/FOD RH THREAD	1
KH600005	END R/FOD LH THREAD	1
KH600014	PL SPRING CLAMP	6
KH600026	SPRING ASSY 9 LEAF PACK	6
KH685003	PN ASSY R/FOD W/BUSHES	12
KH685004350	U/BOLT 350MM/9 LEAF	12
KH685004W	U/BOLT W/ASHER 78	24
KH690007	ROCKER EQUALISER 8"1	4
KH690018B	PN ASSY EQ ROCKER W/BUS	4
KH690027	SEAT SPRING ULTRALOW	6
KH691100465	RADIUS ROD FIXED 465MM	2
KH690001	CAST HANGER REAR	2
KH690022	CAST HANGER FRONT/SIDING	2
KH690026	CAST EQUALISER HANGER 8"1 9"1	4
KH612120715	BOLT M12X120X1.75 SPRING RET	8
KH61215	NUT M12 X1.75 HEX NYLOC	12
KH6124515	BOLT R/FOD END CLAMP M12	4
LF690X	LARGE BOX	1
MS685001460	ADJ RADIUS ROD REAR 460MM	2

FUJWA K HITCH
AUSTRALIA
PTY. LTD.



DWG AND PART NO: **KHDO3B9**

THIS DRAWING AND ALL INFORMATION ON THIS DRAWING IS THE PROPERTY OF: FUJWA K HITCH AUSTRALIA PTY LTD. AND MAY NOT BE COPIED IN ANY WAY OR FORM WITHOUT THE WRITTEN CONSENT OF: FUJWA K HITCH AUSTRALIA PTY LTD.

TRIAXLE CAST SUSPENSION
 390 RIDE HEIGHT