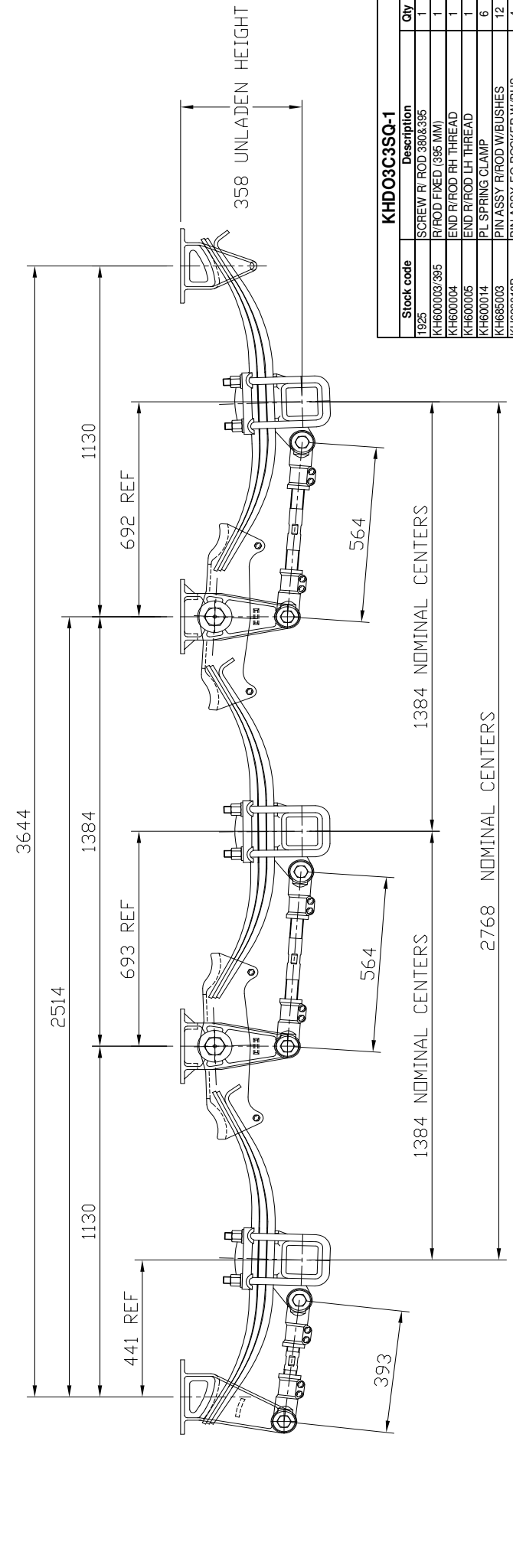
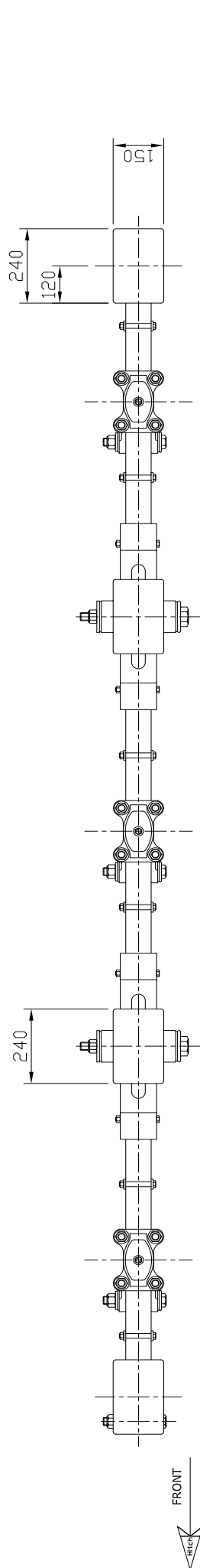


IF IN DOUBT ASK, DO NOT SCALE



KHDO3C3SQ-1	
Stock code	Description
1925	SCREW R/ ROD 380x395
KH600003/895	R/ROD FIXED (395 MM)
KH600004	END R/ROD RH THREAD
KH600005	END R/ROD LH THREAD
KH600014	PL SPRING CLAMP
KH685003	PIN ASSY R/ROD W/BUSHES
KH690018B	PIN ASSY EQ ROCKER W/BUS
KH690020	ROCKER EQUALISER 2.7M
KH612/120/15	BOLT M12X120X1.75 SPRING RET
KH612/15	NUT M12 X 1.75 HEX NYLOC
KH612/45/15	BOLT R/ROD END CLAMP M12
KH600037	SPRING ASSY 3 LEAF TAPER
KH600120SQ	25MM AXLE SEAT 120SQ
KH685004/280SQ	U BOLT 280MM 3 LEAF 120MM SQ
KH685004W	UBOLT WASHER 78
KH68100/565	RADIUS ROD FIXED 565MM
KH900001	CAST HANGER REAR
KH900022	CAST HANGER FRONT O/S LUNG
KH900026	CAST EQUILISER HANGER 8"1.9"1
MS685001/560	R/ROD ADJ. FRONT 560

CERTIFICATION UNIT ID:
 SINGLE: SARN - 26585
 TANDEM: SARN - 17051
 TRIAXLE: SARN - 26584

<p>RECOMMENDED SUSPENSION TIGHTENING TORQUES</p> <p>U-BOLTS - 7/8" UNF = 500/540 Nm, EQUALISER SHAFT NUT - 1" UNF = 290/350 Nm, TORQUE ARM PIN NUT - 1" UNF = 180/200 Nm, TORQUE ARM CLAMP BOLT - 1/2" UNF = 90/100 Nm, EQUALISER DROP OUT BOLT - 1/2" UNF = 75/85 Nm.</p>	<p>IMPORTANT NOTES:</p> <ol style="list-style-type: none"> SUSPENSION MOUNTING SURFACE MUST BE HORIZONTAL $\pm 0.5^\circ$. SUSPENSION CAPACITY: 27 TONNE. SUSPENSION SPRING DEFLECTION: 1.4 mm/tonne. DIMENSIONS: ± 3mm. ESTIMATED TARE WEIGHT = 430 kg.
<p>FUJWA K HITCH AUSTRALIA PTY. LTD.</p> <p>THIS DRAWING AND ALL INFORMATION ON THIS DRAWING IS THE PROPERTY OF: FUJWA K HITCH AUSTRALIA PTY LTD. AND MAY NOT BE COPIED IN ANY WAY OR FORM WITHOUT THE WRITTEN CONSENT OF: FUJWA K HITCH AUSTRALIA PTY LTD.</p>	<p>KHDO3C3SQ-1</p> <p>TRIAXLE CAST SUSPENSION 375 RIDE HEIGHT</p>
<p>MS685001/560</p>	<p>DATE: APR 07</p>