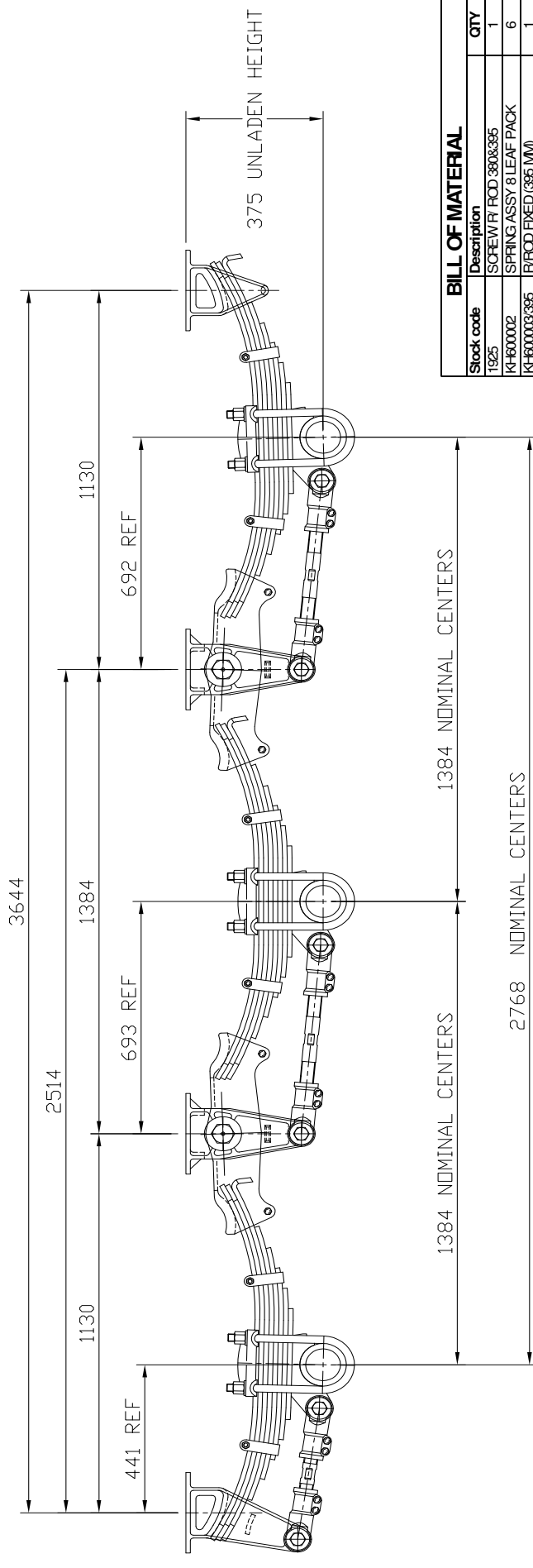
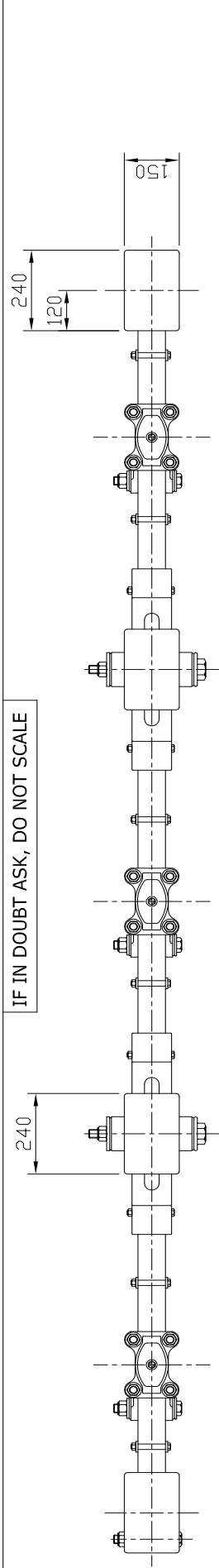


IF IN DOUBT ASK, DO NOT SCALE



CERTIFICATION UNIT ID:
SINGLE: SARN - 26585
TANDEM: SARN - 17051
TRIAXLE: SARN - 26584

BILL OF MATERIAL

Stock code	Description	QTY
1925	SCREW F/ ROD 390x395	1
KH600002	SPRING ASSY 8 LEAF PACK	6
KH600003	R/ROD FIXED (395 MM)	1
KH600004	END R/ROD RH THREAD	1
KH600005	END R/ROD LH THREAD	1
KH600014	PL SPRING CLAMP	6
KH685003	PIN ASSY R/ROD W/BUSHESES	12
KH685004	UBOLT 325MM 8 LEAF	12
KH690018B	PIN ASSY EQ ROCKER W/BUS	4
KH690020	ROCKER EQUALISER 2.7M	4
KH690027	SEAT SPRING ULTRA LOW	6
KH-B1212015	BOLT M12X120X1.75 SPRING PRET	8
KH-B121715	NUT M12 X 1.75 HEX NYLOC	12
KH-B1214515	BOLT R/ROD END Q.CAMP M12	4
KH685004W	UBOLT WASHER 7/8	24
KH691100565	RADIUS ROD FIXED 565MM	2
KH600001	CAST HANGER REAR	2
KH600022	CAST HANGER FRONT O/SLING	2
KH600026	CAST EQUALISER HANGER 8"1.9"1	4
MS685001560	R/ROD ADJ FRONT 560	2

FUJWA K HITCH
AUSTRALIA
PTY. LTD.



DWG NO: **KHDO3C8**
PART NO:

DRAWN: MM DATE: OCT 06

THIS DRAWING AND ALL INFORMATION ON THIS DRAWING IS THE PROPERTY OF: FUJWA K HITCH AUSTRALIA PTY LTD. AND MAY NOT BE COPIED IN ANY WAY OR FORM WITHOUT THE WRITTEN CONSENT OF: FUJWA K HITCH AUSTRALIA PTY LTD.

TRIAXLE CAST
SUSPENSION
375 RIDE HEIGHT

REV A - OCT 06

IMPORTANT NOTES:

- SUSPENSION MOUNTING SURFACE MUST BE HORIZONTAL $\pm 0.5^\circ$.
- SUSPENSION CAPACITY: 27 TONNE.
- SUSPENSION SPRING DEFLECTION: 1.4 mm/tonne.
- DIMENSIONS: ± 3 mm.
- ESTIMATED TARE WEIGHT = 615 kg.

RECOMMENDED SUSPENSION TIGHTENING TORQUES

- U-BOLTS - 7/8" UNF = 500/540 Nm.
- EQUALISER SHAFT NUT - 1" UNF = 290/350 Nm.
- TORQUE ARM PIN NUT - 1" UNF = 180/200 Nm.
- TORQUE ARM CLAMP BOLT - 1/2" UNF = 90/100 Nm.
- EQUALISER DROP OUT BOLT - 1/2" UNF = 75/85 Nm.