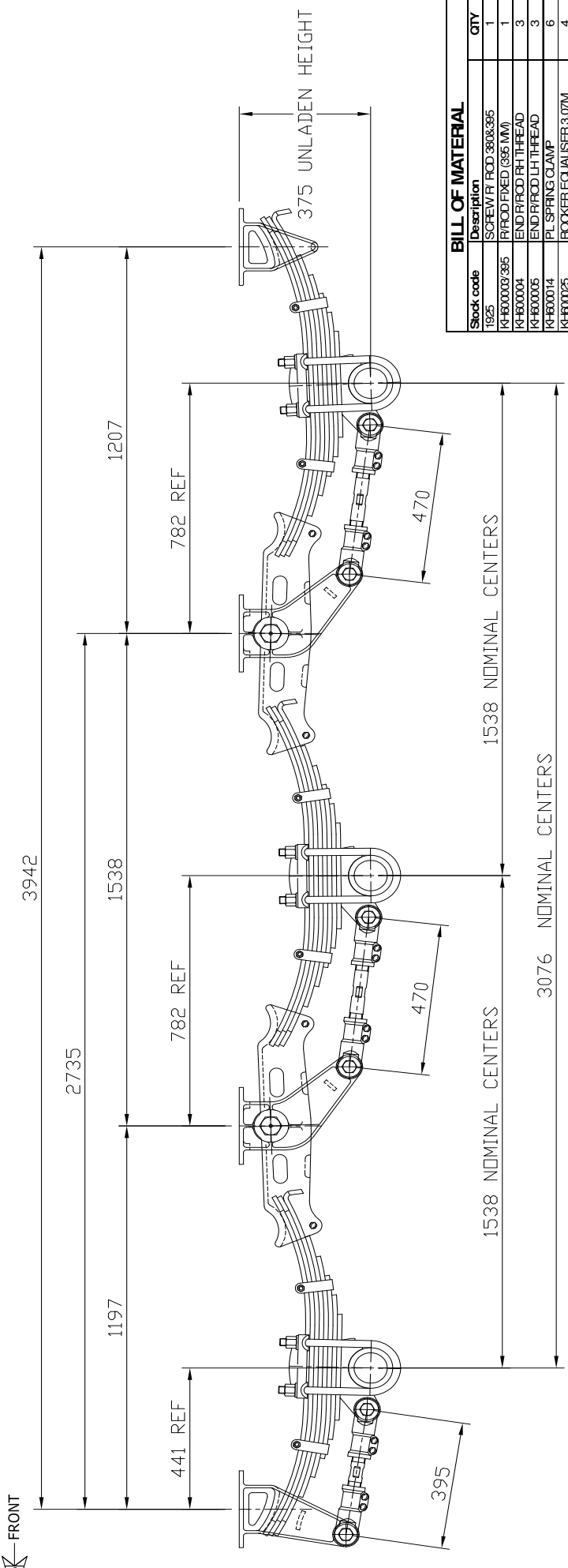
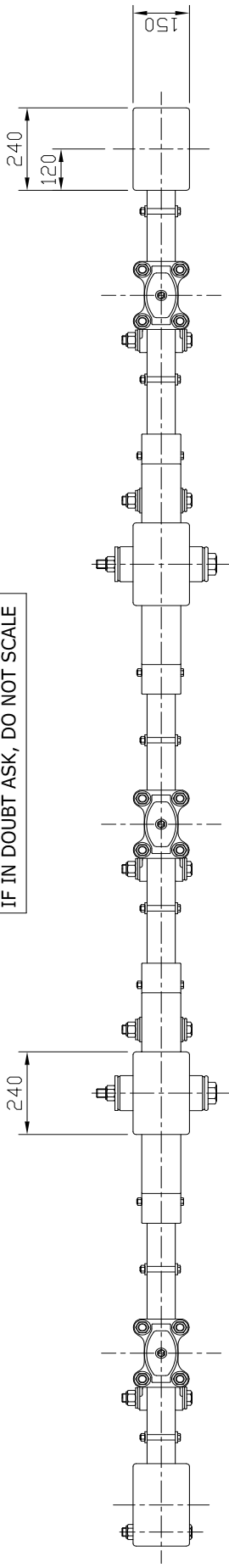


IF IN DOUBT ASK, DO NOT SCALE



BILL OF MATERIAL		QTY
Stock code	Description	
1925	SCREW F/R ROD 390x395	1
K4600003	R/ROD FIXED (395 MM)	1
K4600004	END R/ROD R/H THREAD	3
K4600005	END R/ROD L/H THREAD	3
K4600014	PL SPRING CLAMP	6
K4600025	HOKER EQUALISER 3.07M	4
K4665003	PIN ASSY F/ROD W/BUSHES	12
K4665004	U-BOLT 32x5MM 8 LEAF	12
K4660188	PIN ASSY EO ROCKER W/BUS	4
K4660027	SEAT SPRING ULTRA LOW	6
K461212015	BOLT M12x120x1.75 SPRING FEET	8
K461214515	NUT M12 X 1.75 HEX NYLOC	20
K461214515	BOLT R/ROD END CLAMP M12	12
LRFB03X	LARGE BOX	1
1927	SCREW F/ROD 465MM R/OD	2
K4600002	SPRING ASSY 8 LEAF PACK	6
K4665004W	UBOLT WASHER 7/8	24
K4691100470	RADIUS ROD FIXED 470MM	2
K4600001	CAST HANGER REAR	2
K4600022	CAST HANGER FRONT OSLING	2
K4600022	CAST EQUALISER HANGER 10T	4

CERTIFICATION UNIT ID:
 SINGLE: SARN - 26585
 TANDEM: SARN - 17051
 TRIAXLE: SARN - 26584

IMPORTANT NOTES:

- SUSPENSION MOUNTING SURFACE MUST BE HORIZONTAL $\pm 0.5^\circ$.
- SUSPENSION CAPACITY: 27 TONNE.
- SUSPENSION SPRING DEFLECTION: 1. 4mm/tonne.
- DIMENSIONS: ± 3 mm.
- ESTIMATED TARE WEIGHT = 635 kg.

RECOMMENDED SUSPENSION TIGHTENING TORQUES

- U-BOLTS - 7/8" UNF = 500/540 Nm.
- EQUALISER SHAFT NUT - 1" UNF = 290/350 Nm.
- TORQUE ARM PIN NUT - 1" UNF = 180/200 Nm.
- TORQUE ARM CLAMP BOLT - 1/2" UNF = 90/100 Nm.
- EQUALISER DROP OUT BOLT - 1/2" UNF = 75/85 Nm.

THIS DRAWING AND ALL INFORMATION ON THIS DRAWING IS THE PROPERTY OF: FUWA K HITCH AUSTRALIA PTY LTD. AND MAY NOT BE COPIED IN ANY WAY OR FORM WITHOUT THE WRITTEN CONSENT OF: FUWA K HITCH AUSTRALIA PTY LTD.

DRAWN	MM	DATE	01 OCT 06
DWG AND PART NO:	KHDO3D8		
TRIAxLE CAST SUSPENSION	375 RIDE HEIGHT		
REV A	OCT 06		