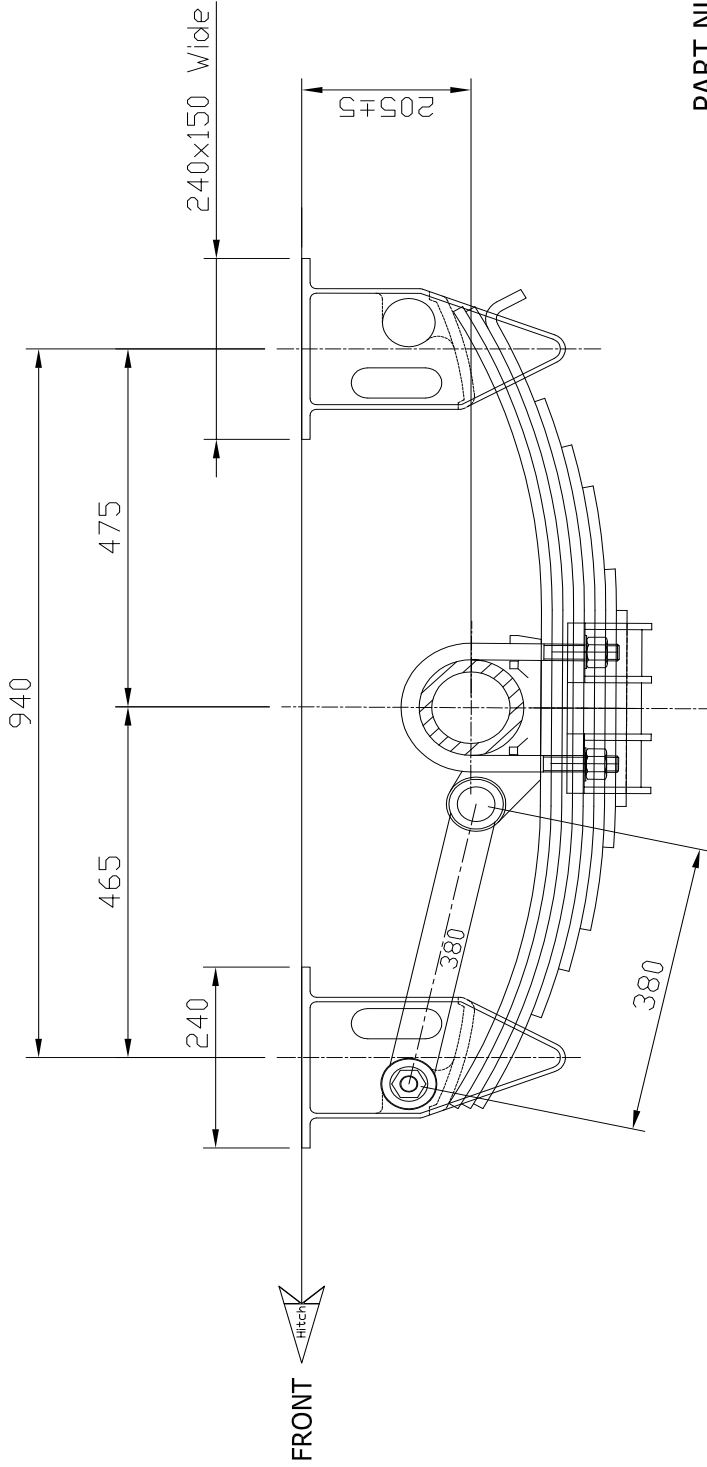


IF IN DOUBT ASK, DO NOT SCALE

CERTIFICATION UNIT ID:
 SINGLE: SARN - 26585
 TANDEM: SARN - 17051
 TRIAXLE: SARN - 26584



PART NUMBER: KHU1A8

| Stock code | Description | QTY |
|--------------|--------------------------|-----|
| 1925 | SCREW R/ ROD 380&395 | 1 |
| KH600002 | SPRING ASSY 8 LEAF PACK | 2 |
| KH600004 | END R/ROD RH TH-HEAD | 1 |
| KH600005 | END R/ROD LH TH-HEAD | 1 |
| KH685003 | PIN ASSY R/ROD W/BUSHES | 4 |
| KH685004/245 | U BOLT M22x245MM U/SLUNG | 4 |
| KH690027 | SEAT SPRING ULTRA LOW | 2 |
| KH690037 | HANGER FRONT & REAR U/SL | 4 |
| KH690038 | PL BOTTOM CLAMP U/SLUNG | 3 |
| KH691100/380 | RADIUS ROD FIXED 380MM | 1 |
| KH-B12/15 | NUT M12 X 1.75 HEX N/LOC | 4 |
| KH-B12/45/15 | BOLT R/ROD END CLAMP M12 | 4 |
| LFB50X | LARGE BOX | 1 |
| KH685004W | UBOLT WASHER 7/8 | 8 |

| BILL OF MATERIAL | | | |
|--------------------|----|-------|----------|
| DRAWN | MM | DATE | March 06 |
| CHECKED | 05 | SCALE | 1:1 |
| DWG NO: KH681AUR58 | | | |

FUWA K HITCH AUSTRALIA PTY. LTD.

THIS DRAWING AND ALL INFORMATION ON THIS DRAWING IS THE PROPERTY OF: FUWA K HITCH AUSTRALIA PTY LTD. AND MAY NOT BE COPIED IN ANY WAY OR FORM WITHOUT THE WRITTEN CONSENT OF: FUWA K HITCH AUSTRALIA PTY LTD.

REMARKS

- TORQUE SETTING
 - TORQUE ARM PIN NUTS = 150/200 Nm
 - TORQUE ARM CLAMP BOLTS = 90/100 Nm
 - 'U' BOLTS NUTS = 500/540 Nm
- FIT FIXED TORQUE ARMS ON KERB SIDE OF TRAILER
- TOLERANCE ON ALL DIMENSIONS ±3mm

FUWA K HITCH AUSTRALIA PTY. LTD.

SINGLE AXLE UNIT
 205mm RIDE HEIGHT
 CAST MECH. SUSP.

A4
 REV
 B