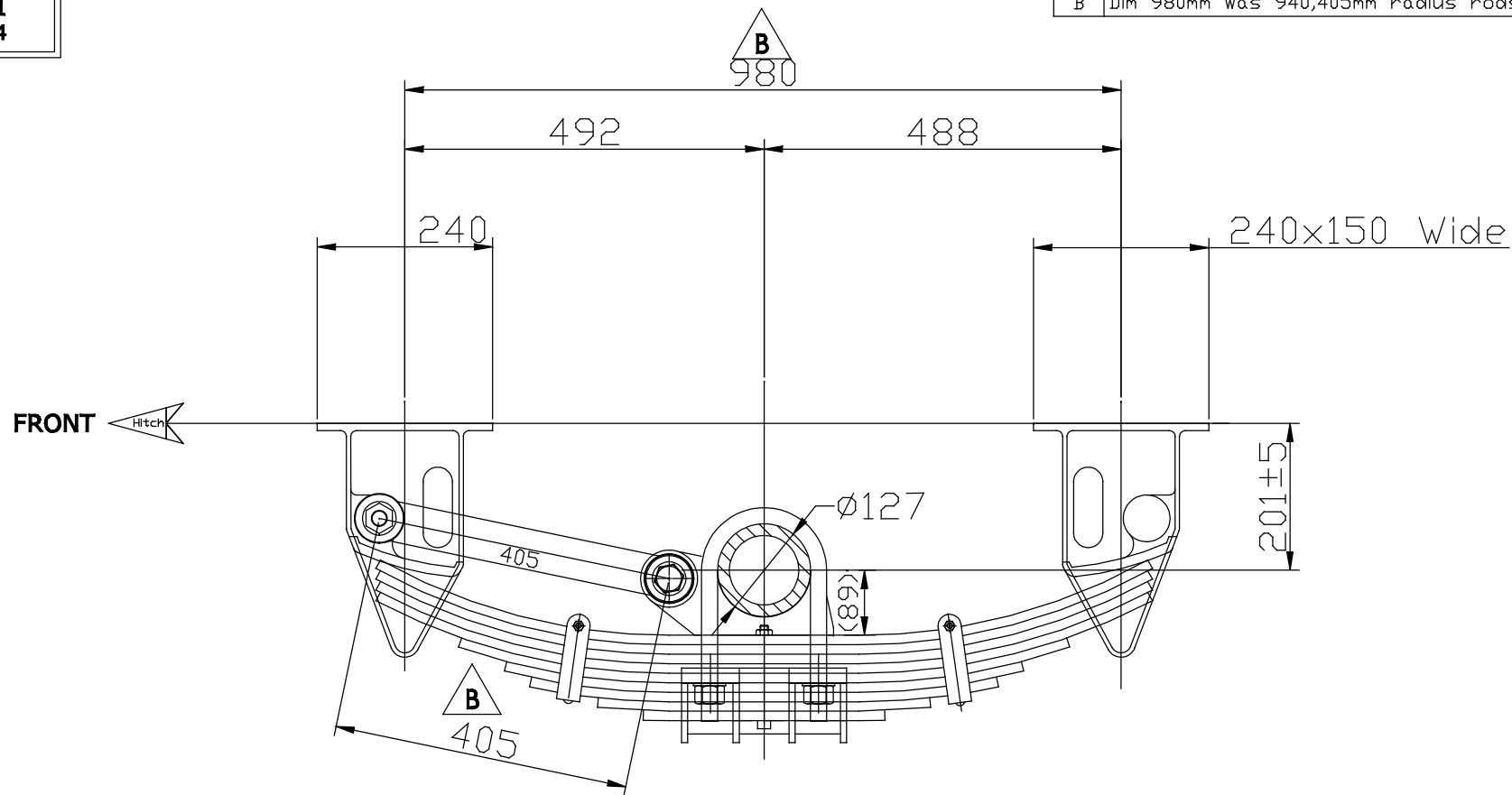


CERTIFICATION UNIT ID:
SINGLE: SARN - 26585
TANDEM: SARN - 17051
TRIAXLE: SARN - 26584

IF IN DOUBT ASK, DO NOT SCALE

REV	DESCRIPTION / REVISION	INIT.	DATE
A	RELEASE	M.M	Nov.06
B	Dim 980mm was 940,405mm radius rods were 380	D.R	5.01.11



REMARKS

1. TORQUE SETTING

- TORQUE ARM PIN NUTS = 180/200 Nm
- TORQUE ARM CLAMP BOLTS = 90/100 Nm
- 'U' BOLTS NUTS = 500/540 Nm
- REFER TO BULLETIN #KPM-002-0310

2. FIT FIXED TORQUE ARMS ON KERB SIDE OF TRAILER

3. TOLERANCE ON ALL DIMENSIONS ±5mm

4. SPRING DEFLECTION : 2.95mm/tonne/axle

9	U- BOLT WASHER 7/8	KH685004W	8
8	U-BOLT 270mm	KH685004/270	4
7	PIN & BUSH ASSEMBLY - RADIUS ROD	KH685003	4
6	RADIUS ROD - FIXED - 405mm	KH600003-405	1
5	RADIUS ROD - ADJUSTABLE - 405mm	MS685001-405	1
4	SEAT SPRING ULTRA LOW	KH690027	2
3	PL BOTTOM CLAMP U/SLUNG	KH690038	2
2	SPRING ASSY 9 LEAF PACK	KH600026	2
1	HANGER - FRONT & REAR - U/SL	KH690037	4
ITEM	MATERIAL / DESCRIPTION	PART No.	QTY



FUWA K HITCH AUSTRALIA PTY. LTD.

SINGLE AXLE UNIT
201mm RIDE HEIGHT
CAST MECH. SUSP.

DRAWN D.R	DRAWING NUMBER	REV
DATE 05.01.2011	KHU1A9	B
CHECKED		SHEET No: 1 OF 1
SCALE		A3

THIS DRAWING, AND ALL INFORMATION ON THIS DRAWING, IS THE PROPERTY OF FUWA K HITCH AUSTRALIA PTY. LTD. AND MAY NOT BE COPIED IN ANY WAY OR FORM WITHOUT THE WRITTEN CONSENT OF FUWA K HITCH AUSTRALIA PTY LTD.

DIMENSIONS IN MILLIMETRES

DO NOT SCALE

