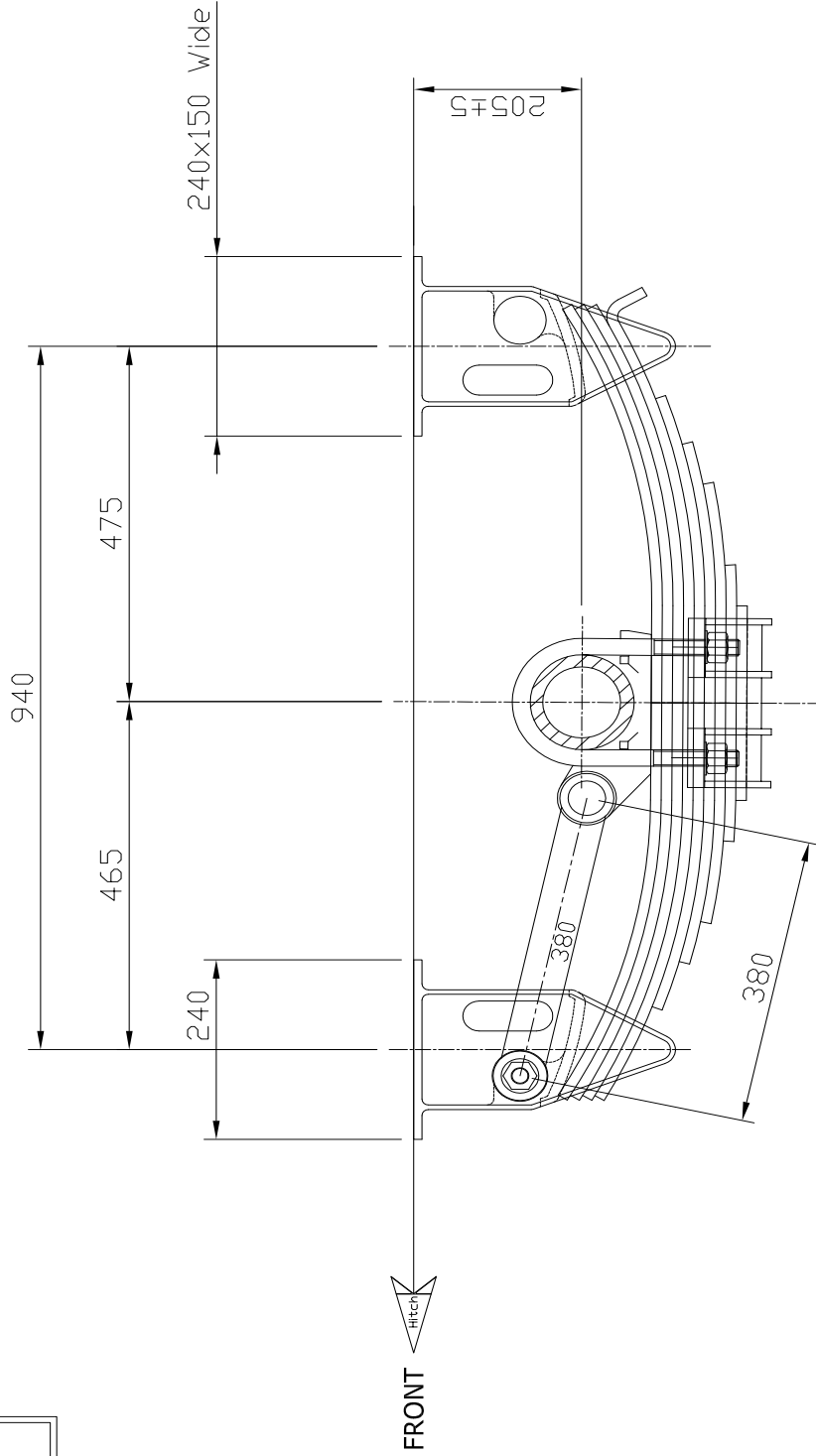


IF IN DOUBT ASK, DO NOT SCALE

CERTIFICATION UNIT ID:
 SINGLE: SARN - 26585
 TANDEM: SARN - 17051
 TRIAXLE: SARN - 26584



PART NUMBER: KHU1A9

REMARKS

- TORQUE SETTING
 - TORQUE ARM PIN NUTS = 150/200 Nm
 - TORQUE ARM CLAMP BOLTS = 90/100 Nm
 - 'U' BOLTS NUTS = 500/540 Nm
- FIT FIXED TORQUE ARMS ON KERB SIDE OF TRAILER
- TOLERANCE ON ALL DIMENSIONS ±3mm

BILL OF MATERIAL

Stock code	Description	QTY
1925	SCREW R/ ROD 380x395	1
KI-600004	END R/ROD RH THREAD	1
KI-600005	END R/ROD LH THREAD	1
KI-688003	PIN ASSY R/ROD W/BUSHES	4
KI-690027	SEAT SPRING ULTRA LOW	2
KI-690037	HANGER FRONT & REAR U/SL	4
KI-690038	PL BOTTOM CLAMP U/SLUNG	2
KI-691100/380	RADIUS ROD FIXED 380MM	1
KI-B12/15	NUT M12 X1.75 HEX NYLOC	4
KI-B12/45/15	BOLT R/ROD END CLAMP M12	4
LRBOX	LARGE BOX	1
KI-600026	SPRING ASSY 9 LEAF PACK	2
KI-688004/270	U-BOLT 270MM	4
KI-688004W	UBOLT WASHER 7/8	8

FUWA K HITCH AUSTRALIA PTY. LTD.

DRAWN: MM DATE: NOV 06
 CHECKED: 05 SCALE: 1:1
 DWG NO: KH681AUR59

THIS DRAWING AND ALL INFORMATION ON THIS DRAWING IS THE PROPERTY OF: FUWA K HITCH AUSTRALIA PTY LTD. AND MAY NOT BE COPIED IN ANY WAY OR FORM WITHOUT THE WRITTEN CONSENT OF: FUWA K HITCH AUSTRALIA PTY LTD.

SINGLE AXLE UNIT
 205mm RIDE HEIGHT
 CAST MECH. SUSP.

A4
 REV
 A