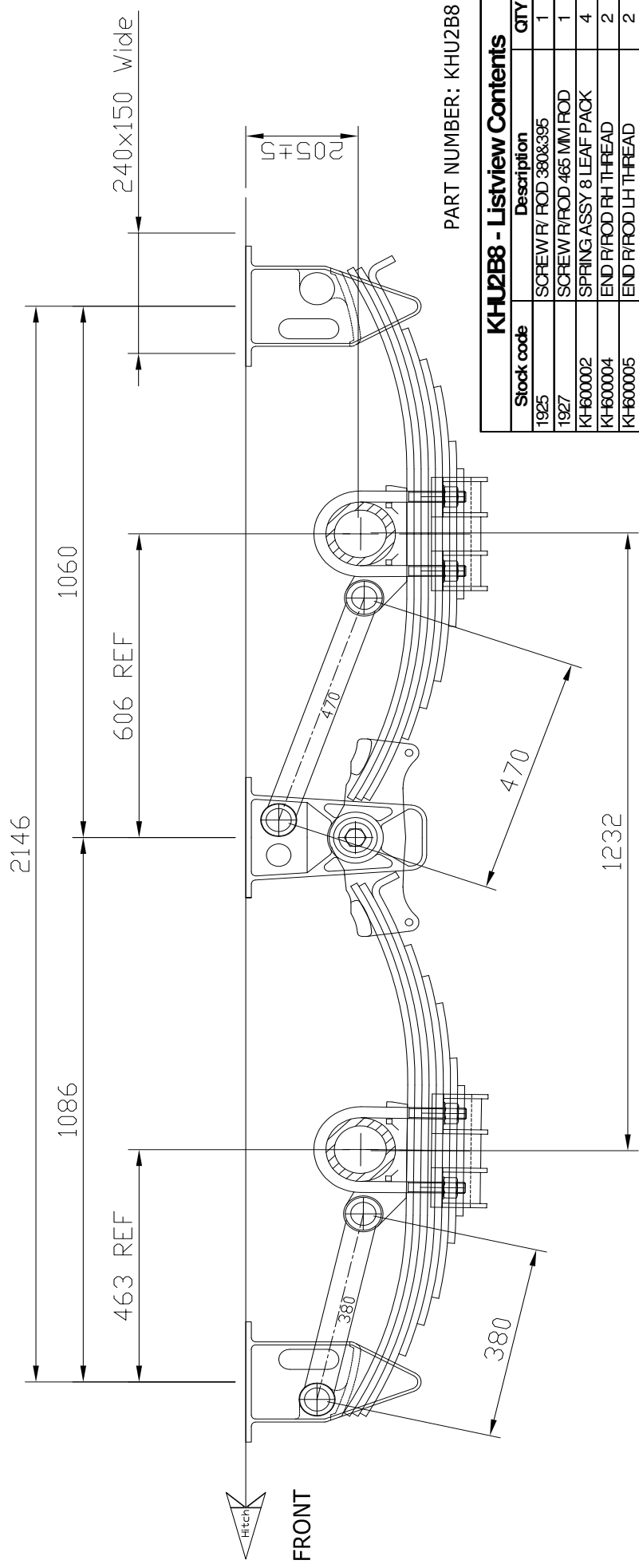


IF IN DOUBT ASK, DO NOT SCALE

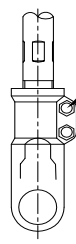
CERTIFICATION UNIT ID:
 SINGLE: SARN - 26585
 TANDEM: SARN - 17051
 TRIAXLE: SARN - 26584



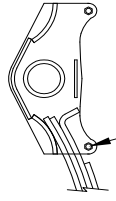
PART NUMBER: KHU2B8

Stock code	Description	QTY
1925	SCREW R/ ROD 380x395	1
1927	SCREW R/ROD 465MM ROD	1
KH600002	SPRING ASSY 8 LEAF PACK	4
KH600004	END R/ROD RH THREAD	2
KH600005	END R/ROD LH THREAD	2
KH685003	PIN ASSY R/ROD W/BUSHES	8
KH685004/245	U BOLT M22x245MM U/S/LUNG	8
KH690007	ROCKER EQUALISER 8"1	2
KH690018B	PIN ASSY EQ ROCKER W/BUS	2
KH690027	SEAT SPRING ULTRA LOW	4
KH690036	HANGER EQUAL 1232MM U/S	2
KH690037	HANGER FRONT & REAR U/SL	4
KH690038	PL BOTTOM CLAMP U/S/LUNG	4
KH691100/380	RADIUS ROD FIXED 380MM	1
KH691100/470	RADIUS ROD FIXED 470MM	1
KH-B12/120/15	BOLT M12x120x1.75 SPRING RET	4
KH-B12/15	NUT M12 X 1.75 HEX NMLCC	12
KH-B12/45/15	BOLT R/ROD END CLAMP M12	8
LRQBOX	LARGE BOX	1
KH685004W	UBOLT WASHER 7/8	16

KHU2B8 - Listview Contents



Torque Arm Clamp Bolts



Drop Out Bolts

REMARKS

- TORQUE SETTING
 - TORQUE ARM PIN NUTS = 150/200 Nm
 - TORQUE ARM CLAMP BOLTS = 90/100 Nm
 - EQUALISER SHAFT NUTS = 290/350 Nm
 - 'U' BOLTS NUTS = 500/540 Nm
 - DROP OUT BOLTS = 75/85 Nm
- FIT FIXED TORQUE ARMS ON KERB SIDE OF TRAILER
- TOLERANCE ON ALL DIMENSIONS ±5mm

FUWA K HITCH AUSTRALIA PTY. LTD.



DRAWN: MM DATE: March 06
 CHECKED: 05 SCALE: 1:1
 DWG NO: KH682AUR58

THIS DRAWING AND ALL INFORMATION ON THIS DRAWING IS THE PROPERTY OF: FUWA K HITCH AUSTRALIA PTY. LTD. AND MAY NOT BE COPIED IN ANY WAY OR FORM WITHOUT THE WRITTEN CONSENT OF: FUWA K HITCH AUSTRALIA PTY. LTD.

8 LEAF TANDEM AXLE
 205mm RIDE HEIGHT
 CAST MECH. SUSP.
 A4 REV B