

INSTALLATION, MAINTENANCE & SERVICE BULLETIN

KT & KI PIVOT BUSH REPLACEMENT TOOL INSTRUCTIONS

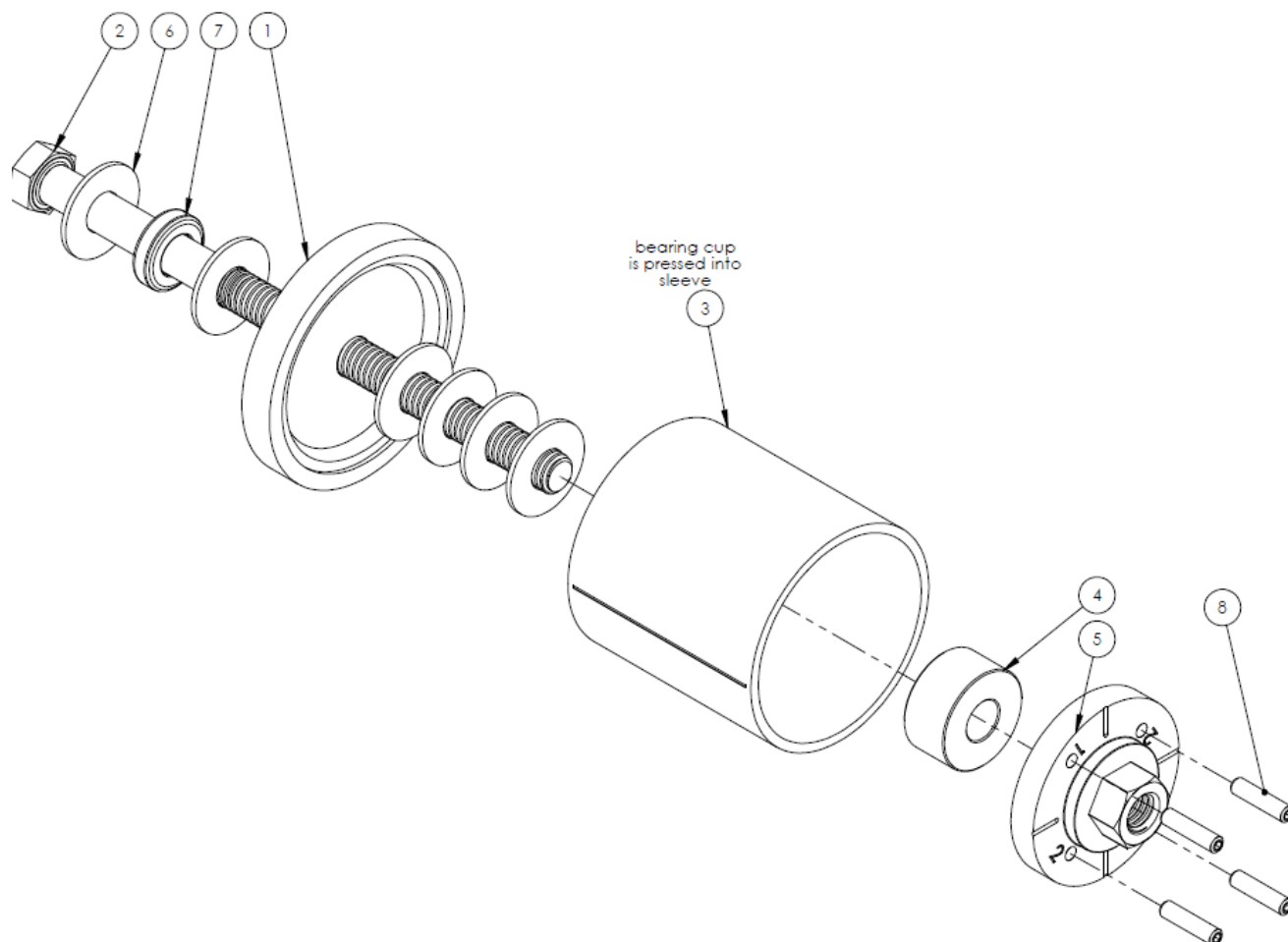


Fig. 1
Tool Parts

ITEM NO:	PART NUMBER	DESCRIPTION	QTY
	1023-001	PIVOT BUSH REPLACEMENT TOOL KIT	
1	1023-001-1	FRONT PLATE	1
2	1023-001-2	DRIVE SCREW	1
3	1023-001-3	SLEEVE ASSY	1
4	1023-001-4	SPACER	1
5	1023-001-5	DRIVE PLATE ASSY	1
6	N100360-032	WASHER	6
7	KHT119	THRUST BEARING	1
8	1023-001-6	SOCKET SET SCREW	4

Bush Removal

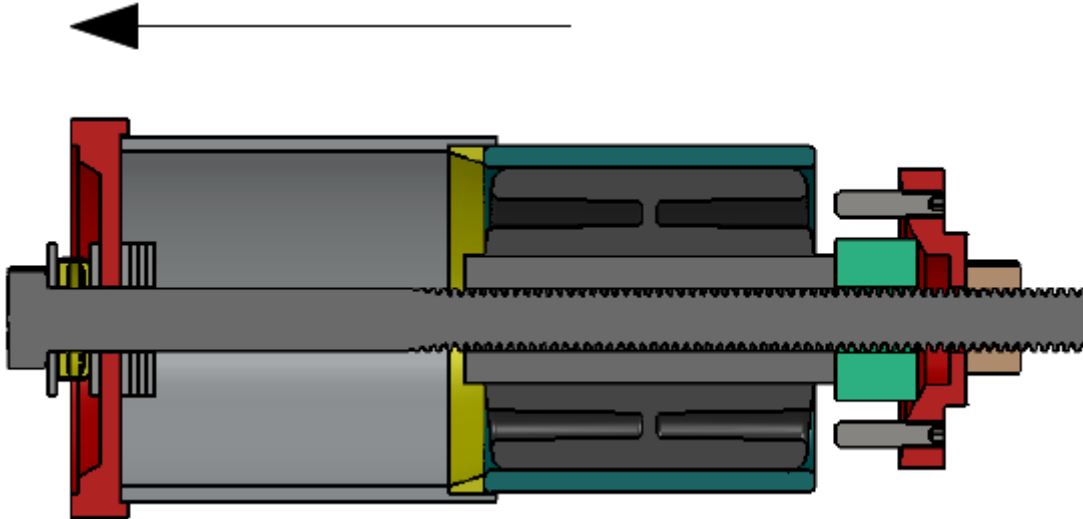


Fig. 2

1. Mark the bush orientation from the old bush on the trailing arm tube before installing the tool.
2. Before inserting the drive screw through the flat washers, thrust bearing, front plate and spacer, lubricate the thread and thrust bearing with Castrol SBX2 extreme pressure grease (or equivalent) only.
3. Assemble the thrust bearing, washers, sleeve and spacer and screw the drive screw in to the drive plate as shown in Fig. 2.
4. With a 3/4" drive impact gun and a 1 11/16 socket tighten the bolt to pull the drive plate in, which will press the pivot bush out of the trailing arm sleeve. (see Fig. 4)

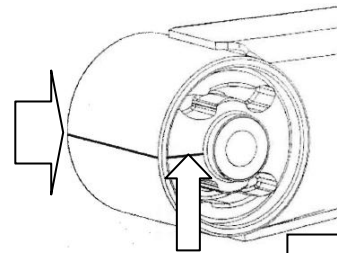


Fig. 3

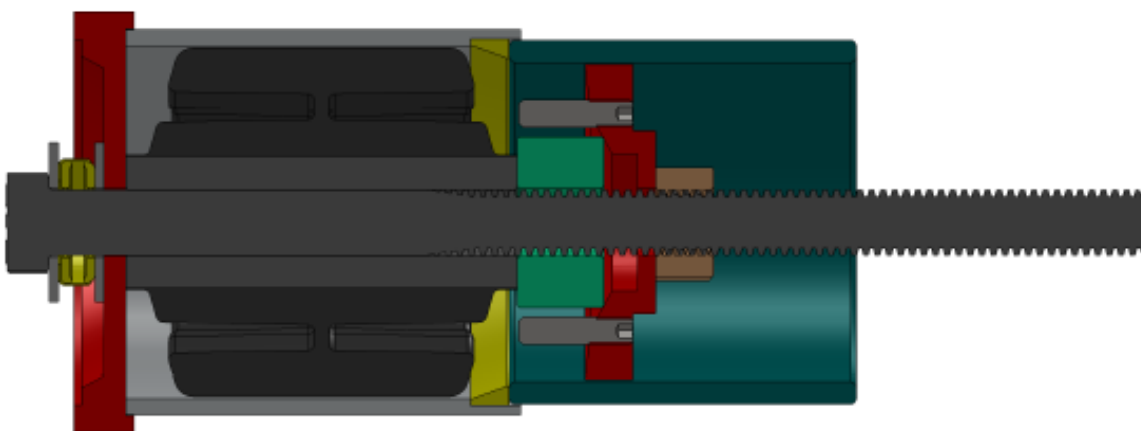


Fig. 4

Note: Do not use a 1" drive impact gun it may damage the tool

Bush Installation

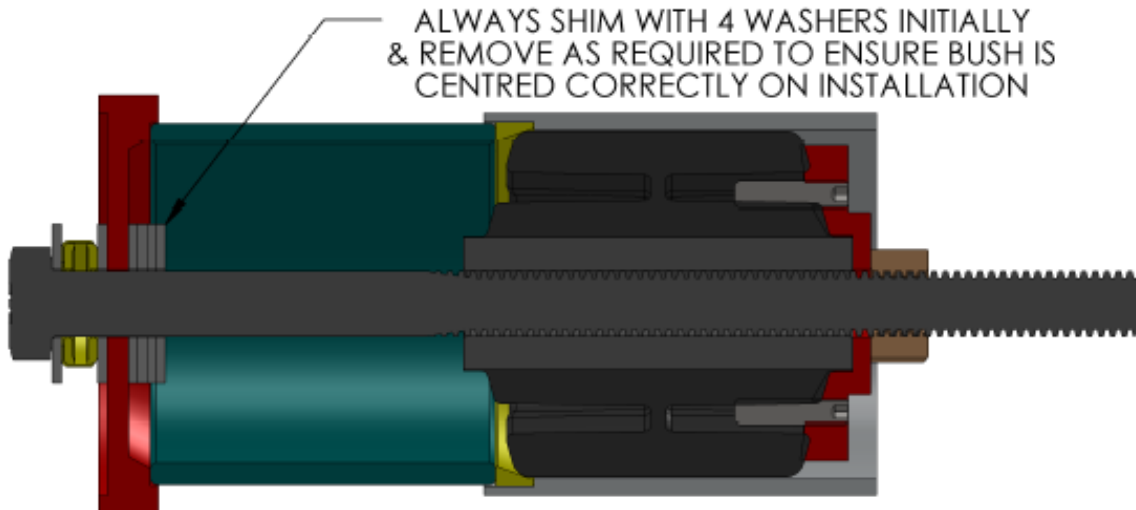


Fig. 5

1. The trailing arm tube must be cleaned and all sharp edges removed. The inside of the tube needs to be free of any residues from the removed old bush, any rust or other contamination. The inside surface needs to be smooth.
2. Mark the sleeve with a white line which can be aligned with the orientation line on the new bush and the already marked line on the trailing arm tube (see Fig. 6).

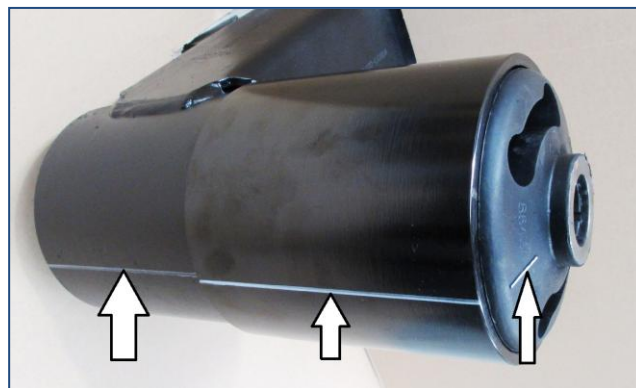


Fig.6

3. Before assembling the tool, lubricate the thread and thrust bearing with Castrol SBX2 extreme pressure grease (or equivalent) only.

INSTALLATION, MAINTENANCE & SERVICE BULLETIN

4. Lubricate the outside of the new bush and the inside of the trailing arm tube with a rubber lubricant provided by FKH (N100837-001) and slide the bush in to the sleeve. The sleeve's small / tapered opening will be against the trailing arm tube.



See Fig. 5

Note: DO NOT USE RUBBER GREASE!

5. Insert the bolt, washers, bearing, front plate, shim washers, through the bush and screw the bolt in to the drive plate until hand tight.
See Fig. 5
6. Make sure all the parts are properly aligned and squared up. With the 3/4" drive impact gun, tighten the bolt until the sleeve falls off.

Note: Be ready to catch the sleeve before it does fall on to the ground.

Keep tightening until the bush is centred.

7. After removing the tool, check that the new bush is in the centre of the trailing arm tube, if not reinstall the tool again and pull it further or pull it back.

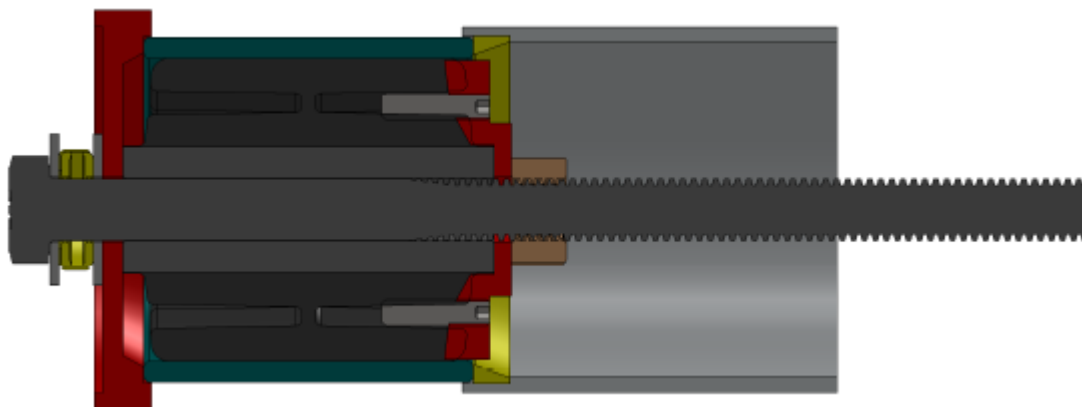


Fig. 7

8. Check that the new bush is aligned with the mark on the trailing arm tube.

