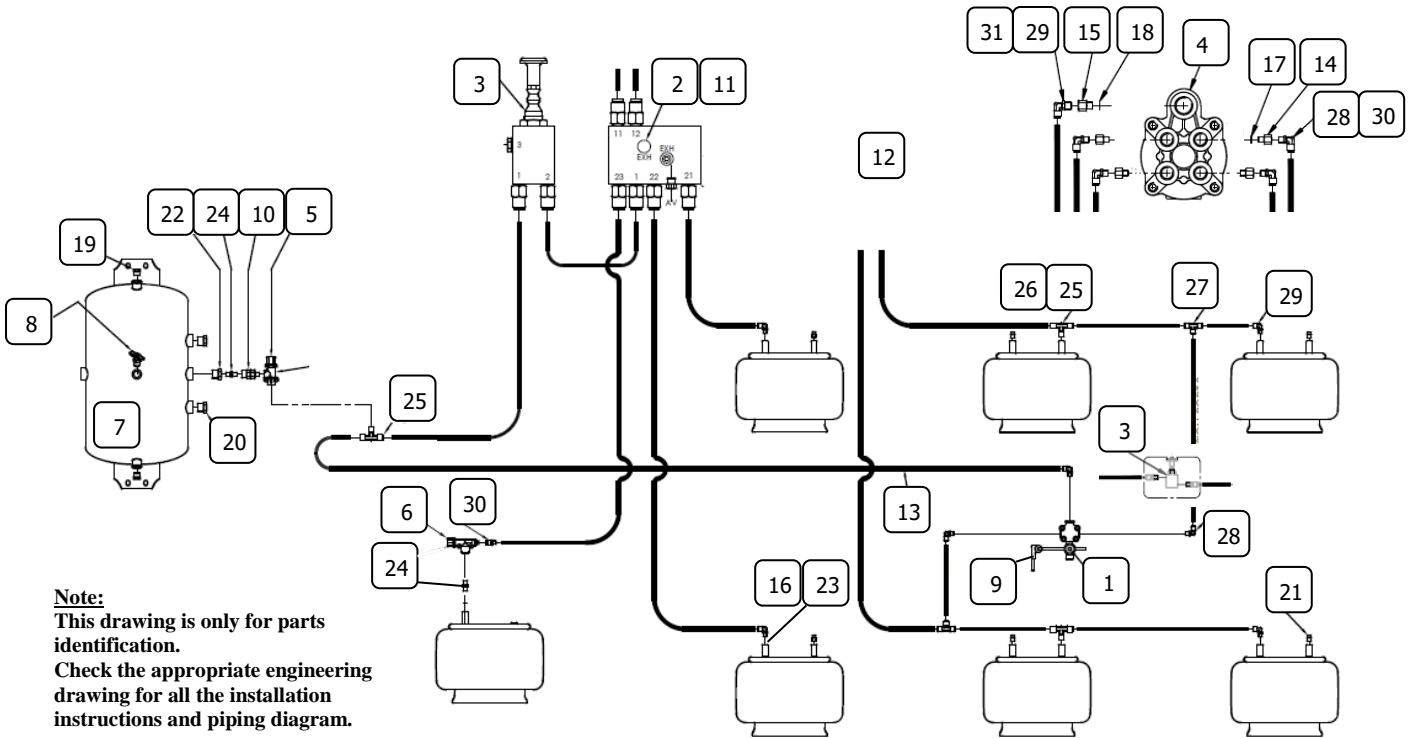


PARTS VIEW

AIR KITS



Note:
 This drawing is only for parts identification.
 Check the appropriate engineering drawing for all the installation instructions and piping diagram.

Assembly number explanation

W Weweler	ACK Air Control Kit	1,2,3,4,5 Number of axles	O Over slung	T + Tank	ALW Auto Lift
			U Underslung		DL 2 x HC Valves
			AD Dog trailer		RL Raise-Lower
					DLW 2 x HC Valves Wabco
					DV Dump Valve
					S Straight Fittings

Note: Not all combinations are available.

PARTS VIEW

Ref No.	PART No.	DESCRIPTION	APPLICATION											
			ACK 30 T	ACK 30 T DV	WACK 10 DL T	WACK 10 T	WACK 2UT	WACK 30	WACK 30 T	WACK 3UT	WACK 3UT DV	WACK 3UT RL	WACK 3UT ALW	WACK 3UT ALW DV
1	ABC27000^	HEIGHT CONTROL VALVE	1	-	2	1	1	1	1	1	-	1	1	-
1	ABC54271	HCV + DUMP	-	1	-	-	-	-	-	-	1	-	-	1
1	ABV464.00**	HCV WITH HOLD BACK	-	-	-	-	-	-	-	-	-	-	-	-
2	LS2000	LIFT VALVE	-	-	-	-	-	-	-	-	-	-	1	1
3	MCEVTN1A	DUMP VALVE	1	1	-	-	-	-	-	-	1	-	1	1
4	KH4630320200	RAISE / LOWER VALVE	-	-	-	-	-	-	-	-	-	1	-	-
5	ABC277147	HOLD BACK VALVE 65PSI	1	1	1	1	1	1	1	1	1	1	1	1
6	ABC279015^^	HOLD BACK VALVE 41PSI	-	-	-	-	-	-	-	-	-	-	-	-
7	CQT-25L-003	TANK 25L	1	1	1	1	1	-	1	1	-	-	1	-
7	CQT-46L-003	TANK 46L	-	-	-	-	-	-	-	-	1	1	-	1
8	221121	DRAIN COCK	1	1	1	1	1	-	1	1	1	1	1	1
9	ABC27000.01	LINKAGE KIT	-	1	-	-	-	-	-	-	1	-	-	1
10	ABC226908	INLINE FILTER	1	1	1	1	1	1	1	1	1	1	1	1
11	GP-WH-08RK	WHISTLE	-	-	-	-	-	-	-	-	-	-	1	1
12	FHD-047	WARNING STICKER	-	-	-	-	-	-	-	-	-	-	1	1
13	ABT6	TUBE 3/8"	15	12	12	10	10	10	10	10	12	18	15	15
14	ABF345	ADAPTOR M12-1/4NPT	-	-	-	-	-	-	-	-	-	4	-	-
15	ABF271	ADAPTOR M16-3/8NPT	-	-	-	-	-	-	-	-	-	1	-	-
16	TW22	THRUST RING O-RING	-	-	2	2	4	6	6	6	6	6	6	6
17	TW12	SEALING WASHER	-	-	-	-	-	-	-	-	-	4	-	-
18	TW16	SEALING WASHER	-	-	-	-	-	-	-	-	-	1	-	-
19	238822	PLUG HEX 1/2"	2	2	2	2	2	-	2	2	2	2	2	2
20	204514	PLUG HEX 3/4"	2	2	1	2	2	-	2	2	2	2	2	2
21	L3241	PLUG 1/4"	4	5	2	-	-	-	-	-	-	-	-	-
22	L3227	REDUCER	1	1	1	1	1	-	1	1	1	1	1	1
23	KW2783-1	REDUCING BUSH	-	-	2	2	4	6	6	6	6	6	6	6
24	203134	NIPPLE	1	1	1	1	1	1	1	1	1	1	1	1
25	AQ72-DOTS-6X4	TEE 3/8" x 1/4"	-	-	1	-	-	-	2	2	-	-	2	1
26	AQ72-DOTS-6X6	TEE 3/8" x 3/8"	-	-	-	-	-	2	-	-	2	4	2	2
27	AQ64-DOT-6	TEE 3/8"	2	3	-	-	2	2	2	2	3	1	3	4
28	AQ69-DOTS-6X4	ELBOW 3/8" x 1/4"	12	13	4	4	4	3	3	3	5	8	3	4
29	AQ69-DOTS-6X6	ELBOW 3/8" x 3/8"	-	-	2	2	4	4	4	4	4	3	4	4
30	AQ68-DOT-6X4	STRAIGHT 1/4" - 3/8"	-	-	-	-	-	-	-	-	-	-	-	-
31	AQ68-DOT-6X6	STRAIGHT 3/8" - 3/8"	-	-	-	-	-	-	-	-	-	-	-	-

** For tip-over axle applications.

^ ABC27000 HCV, comes with Linkage Kit.

^^ Only for the KT suspension, see N100562-001 & -002 for application and installation details.

Note: Air bag part numbers are on the air suspension Parts View.