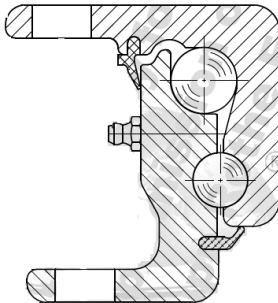
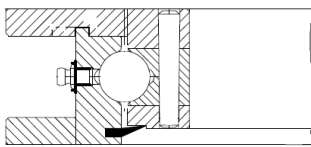
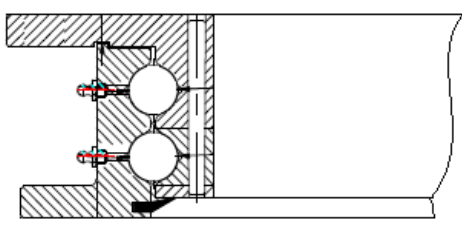



# PARTS VIEW

## BALLRACES

| Model   | PART No.     | DESCRIPTION                                   |
|---|--------------|---|
|    | 90S/1000BKH  | Ø1000mm by 90mm<br>Seamless rolled rings      |
|   | 90S/1100KH   | Ø1100mm by 90mm<br>Seamless rolled rings      |
|   | KHSR1000     | Ø1000mm by 60mm (Low Profile)<br>Slewing ring |
|  | KHDR1000     | Ø1000mm by 90mm<br>Slewing ring               |
|   | KHDR987/1000 | Ø1000mm / Ø987mm by 90mm<br>Slewing ring      |
|   | KHDR1100     | Ø1100mm by 90mm<br>Slewing ring               |
|  | GS-001       | Greasing system - KHDR                        |
|   | GS-002       | Greasing system - KHSR                        |
|   | GS-003       | Greasing system – 90S                         |

Note: The FKH Ballraces can be order with predrilled mounting holes.

See Bulletin: KPS-003-0715 for more specification details and KPM-002-0410 for Service information.

**IMAGES FOR ILLUSTRATION PURPOSES ONLY**