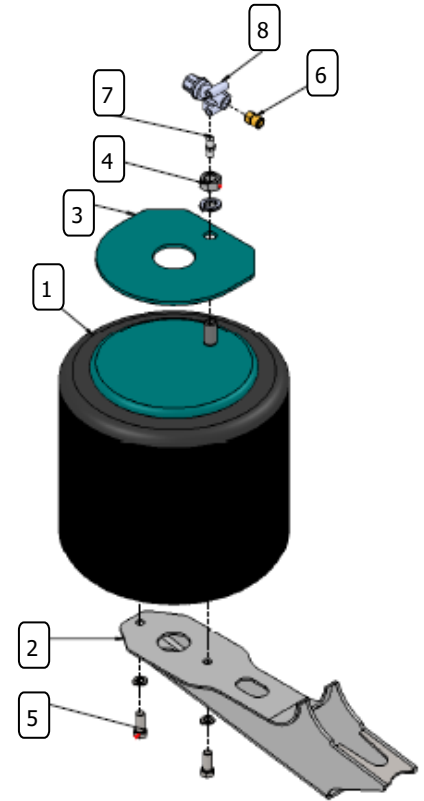


## KT Axle Lift Kits

### Side Lift Kit – Weld-on

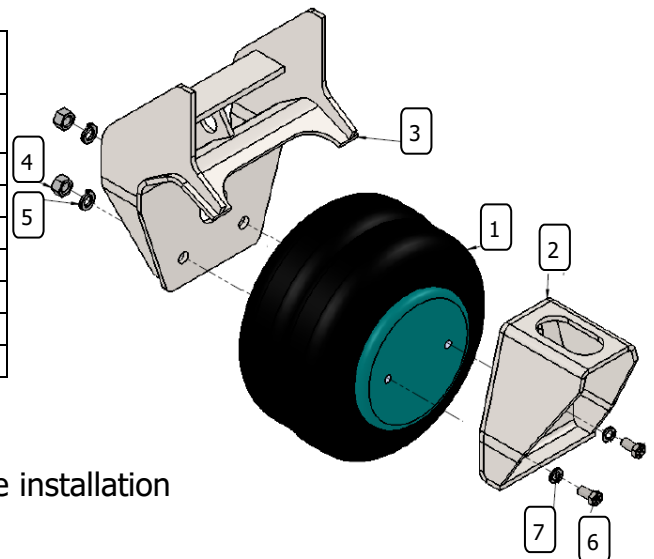
Ref No	PART NO.	DESCRIPTION	QTY	Underslung	Overslung
ALL	N100562-001K	COMPLETE KIT	1	X	
ALL	N100562-002K	COMPLETE KIT	1		X
1	N100521-005	AIRSPRING	1	X	X
2	N100561-001	LIFT BEAM	1	X	
2	N100561-002	LIFT BEAM	1		X
3	N100516-013	AIRSPRING PLATE	1	X	X
4	N100191-001	NUT	1	X	X
5	N100547-010	AIRSPRING FASTENER KIT	1	X	X
6	AQ68-DOT-6X4	FITTING	1	X	X
7	203134	FITTING	1	X	X
8	ABC279015	PRESSURE REDUCING VALVE	1	X	X



**Note:** For proper weld-on information, request the installation drawing from FKH engineering.

### Dual Side Lift Kit – Weld-on (overslung only)

Ref No	PART NO.	DESCRIPTION	QTY
ALL	N100562-012	COMPLETE KIT	1
1	N100521-008	AIRSPRING	2
2	N100561-012	LIFT BRACKET - ARM	2
3	N100561-013	LIFT BRACKET - HANGER	2
4	N100161-001	NUT	4
5	N100362-013	WASHER	4
6	N100144-001	BOLT	4
7	N100362-007	WASHER	4



**Note:** For proper weld-on information, request the installation drawing from FKH engineering.