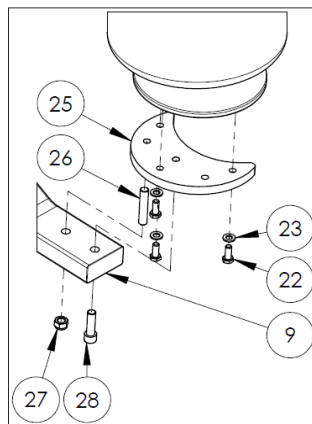
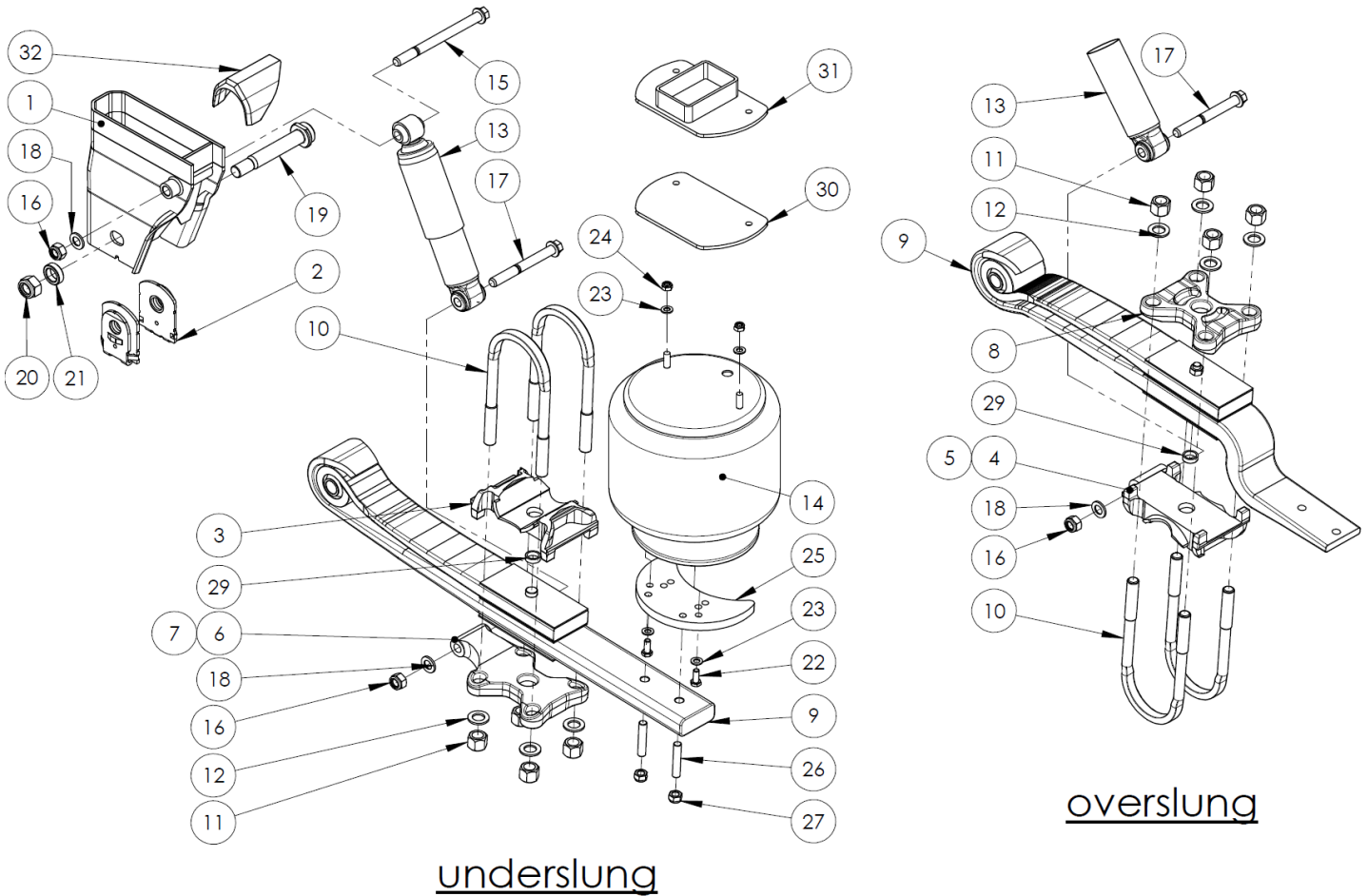


PARTS VIEW

WEWELER HD (11t) & HD plus (13t) Ø127mm Axle

STD SHOCK ABSORBER



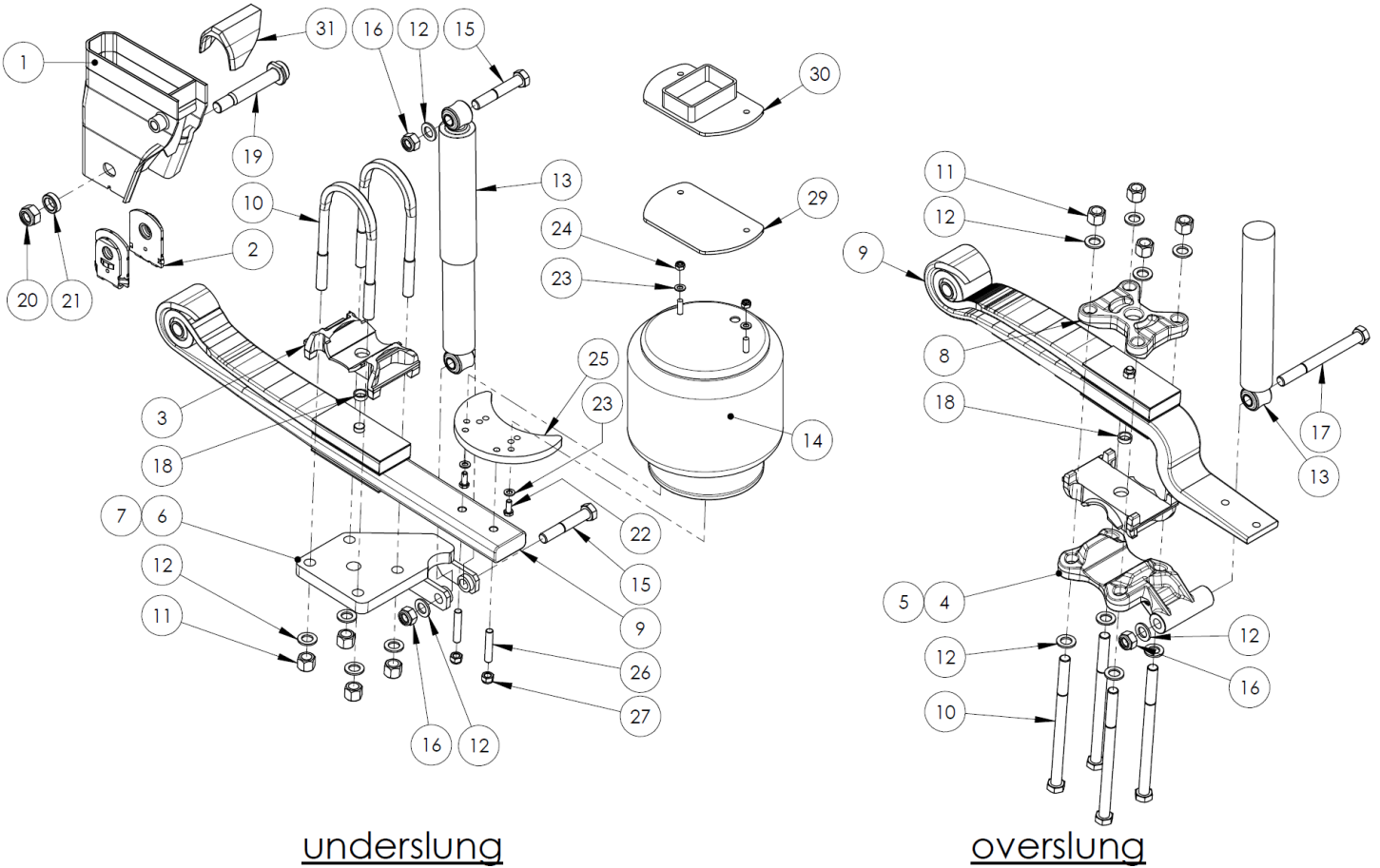
underslung 195

PARTS VIEW

Ref No.	PART No.	DESCRIPTION	APPLICATION														
			HD 11t STD SHOCK						HD plus 13t STD SHOCK								
			195 & 200	240 & 245	265 & 275	300 & 305	390 & 395	415 & 420	440 & 445	235 & 240	265	290	390 & 395	420	445		
1	WUT001C88A290	HANGER BRACKET	2	-	-	-	2	-	-	-	-	-	-	-	2	-	-
1	WUT001C88A310	HANGER BRACKET	-	-	-	-	-	2	-	-	-	-	-	-	-	2	-
1	WUT001C88A335	HANGER BRACKET	-	2	-	-	-	-	2	2	-	-	-	-	-	-	2
1	WUT001C88A360	HANGER BRACKET	-	-	2	-	-	-	-	-	2	-	-	-	-	-	-
1	WUT001C88A390	HANGER BRACKET	-	-	-	2	-	-	-	-	-	2	-	-	-	-	-
2	WUT010A19KB	WEAR PLATE ADJUSTABLE	4	4	4	4	4	4	4	4	4	4	4	4	4	4	4
3	WUT006A86A	AXLE SEAT 127dia	2	2	2	2	-	-	-	2	2	2	-	-	-	-	-
4	WUT006L86A	AXLE SEAT 127L	-	-	-	-	1	1	1	-	-	-	1	1	1	1	1
5	WUT006R86A	AXLE SEAT 127R	-	-	-	-	1	1	1	-	-	-	-	1	1	1	1
6	WUT005L56K	U-BOLT PLATE 127dia LH	1	1	1	1	-	-	-	1	1	1	-	-	-	-	-
7	WUT005R56K	U-BOLT PLATE 127dia RH	1	1	1	1	-	-	-	1	1	1	-	-	-	-	-
8	WUT005001A73A	U-BOLT PLATE 127dia	-	-	-	-	2	2	2	-	-	-	2	2	2	2	2
9	WF001A037BJ75	TRAILING ARM HD	-	2	2	2	-	-	-	-	-	-	-	-	-	-	-
9	WF001A037GE75	TRAILING ARM HD	-	-	-	-	2	2	2	-	-	-	-	-	-	-	-
9	WF172A037BG75	TRAILING ARM HD	2	-	-	-	-	-	-	-	-	-	-	-	-	-	-
9	WF001A037CJ75	TRAILING ARM HD+	-	-	-	-	-	-	-	2	2	2	-	-	-	-	-
9	WF001A037CE75	TRAILING ARM HD+	-	-	-	-	-	-	-	-	-	-	2	2	2	2	2
10	WB001M24B047	U-BOLT F 127 M24 L=320	4	4	4	4	4	4	4	4	4	4	4	4	4	4	4
11	WC290140G	HIGH NUT M24x2-10.0	8	8	8	8	8	8	8	8	8	8	8	8	8	8	8
12	WUBR24N002G	WASHER M24	8	8	8	8	8	8	8	8	8	8	8	8	8	8	8
13	WD8A90-2036W	SHOCK ABSORBER	2	2	2	2	2	2	2	2	2	2	2	2	2	2	2
14	WUS07337FST2	AIRSPRING Ø350 E1ST2	2	2	2	2	2	2	2	2	2	2	2	2	2	2	2
15	WC275128G	TOP SHOCKER BOLT M20x2x240-10.9	2	2	2	2	2	2	2	2	2	2	2	2	2	2	2
16	WC330063	NYLOC NUT M20x2	4	4	4	4	4	4	4	4	4	4	4	4	4	4	4
17	WC275126G	LOWER SHOCKER BOLT M20x2x175-10.9	2	2	2	2	2	2	2	2	2	2	2	2	2	2	2
18	WC301389G	HV WASHER M20	4	4	4	4	4	4	4	4	4	4	4	4	4	4	4
19	WC401227G	PIVOT BOLT M27x186	2	2	2	2	2	2	2	2	2	2	2	2	2	2	2
20	WUBM27N006ZN	NYLOC NUT M27x2	2	2	2	2	2	2	2	2	2	2	2	2	2	2	2
21	WUT009A09G	WASHER Ø30/Ø46	2	2	2	2	2	2	2	2	2	2	2	2	2	2	2
22	WC270602	BOLT M12x30	6	4	4	4	4	4	4	4	4	4	4	4	4	4	4
23	WC301348	WASHER M12	1 0	8	8	8	8	8	8	8	8	8	8	8	8	8	8
24	WC330021	LOCK NUT M12x10	4	4	4	4	4	4	4	4	4	4	4	4	4	4	4
25	WUT003A35K	OFFSET PLATE 30/50/95mm	-	2	2	2	2	2	2	2	2	2	2	2	2	2	2
25	WUT003A41K	OFFSET PLATE 56mm	2	-	-	-	-	-	-	-	-	-	-	-	-	-	-
26	WC464013	STUD M16x65-8.8 (85mm o/all length)	2	4	4	4	-	-	-	4	4	4	-	-	-	-	-
26	WC464014	STUD M16x45-8.8 (65mm o/all length)	-	-	-	-	4	4	4	-	-	-	4	4	4	4	4
27	WC330041ZN	LOCK NUT M16	2	4	4	4	4	4	4	4	4	4	4	4	4	4	4
28	WUBB16N013Z	SOCKET HEAD SCREW - M16x50	2	-	-	-	-	-	-	-	-	-	-	-	-	-	-
29	WN100605-001	CENTER BOLT RING	2	2	2	2	2	2	2	2	2	2	2	2	2	2	2
30	WN100603-004	AIRBAG TOP PLATE	2	2	-	-	-	-	-	2	-	-	-	-	-	-	-
31	WUT011A02A022	PEDESTAL C = 30	-	-	2	-	-	-	-	-	2	-	-	-	-	-	-
31	WUT011A02A042	PEDESTAL C = 50	-	-	-	2	2	-	-	-	-	2	2	-	-	-	-
31	WUT011A02A067	PEDESTAL C = 75	-	-	-	-	-	2	-	-	-	-	-	-	2	-	-
31	WUT011A02A092	PEDESTAL C = 100	-	-	-	-	-	-	2	-	-	-	-	-	-	-	2
32	WUT996A17A	WELD-ON BRACE	2	2	2	2	2	2	2	2	2	2	2	2	2	2	2
-	WC234387	PIVOT BUSH - 13T - STEEL/RUBBER/STEEL															
-	WC234264	PIVOT BUSH - 11T - RUBBER/STEEL															

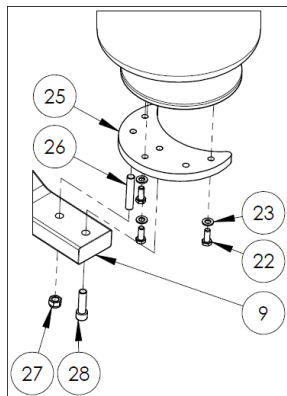
PARTS VIEW

REAR SHOCK ABSORBER



underslung

overslung



underslung 195

PARTS VIEW

Ref No.	PART No.	DESCRIPTION	APPLICATION											
			HD 11t REAR SHOCK						HD plus 13t REAR SHOCK					
			195 & 200	240 & 245	285	315	390 & 395	415 & 420	440 & 445	235 & 240	275	305	390 & 395	415 & 420
1	WUT001C88A290	HANGER BRACKET	2	-	-	-	2	-	-	-	-	2	-	-
1	WUT001C88A310	HANGER BRACKET	-	-	-	-	-	2	-	-	-	-	2	-
1	WUT001C88A335	HANGER BRACKET	-	2	-	-	-	-	2	-	-	-	-	2
1	WUT001C88A360	HANGER BRACKET	-	-	2	-	-	-	-	2	-	-	-	2
1	WUT001C88A390	HANGER BRACKET	-	-	-	2	-	-	-	-	2	-	-	-
2	WUT010A19KB	WEAR PLATE ADJUSTABLE	4	4	4	4	4	4	4	4	4	4	4	4
3	WUT006A86A	AXLE SEAT 127dia	2	2	2	2	2	2	2	2	2	2	2	2
4	WUT005001L69A	U-BOLT PLATE Ø127 L.REAR	-	-	-	-	1	1	1	-	-	1	1	1
5	WUT005001R69A	U-BOLT PLATE Ø127 R.REAR	-	-	-	-	1	1	1	-	-	1	1	1
6	WUT005001A39K	U-BOLT PLATE – LH	1	1	1	1	-	-	-	1	1	1	-	-
7	WUT005001A40K	U-BOLT PLATE – RH	1	1	1	1	-	-	-	1	1	1	-	-
8	WUT005001A73A	U-BOLT PLATE 127dia	-	-	-	-	2	2	2	-	-	2	2	2
9	WF001A037BJ75	TRAILING ARM HD	-	2	2	2	-	-	-	-	-	-	-	-
9	WF001A037GE75	TRAILING ARM HD	-	-	-	-	2	2	2	-	-	-	-	-
9	WF172A037BG75	TRAILING ARM HD	2	-	-	-	-	-	-	-	-	-	-	-
9	WF001A037CJ75	TRAILING ARM HD+	-	-	-	-	-	-	-	2	2	2	-	-
9	WF001A037CE75	TRAILING ARM HD+	-	-	-	-	-	-	-	-	-	2	2	2
10	WB001M24B047	U-BOLT F127 M24 L=320	4	4	4	4	-	-	-	4	4	4	-	-
10	WC402057	AXLE CLAMPING BOLT – M24x2x360	-	-	-	-	8	8	8	-	-	-	8	8
11	WC290140G	HIGH NUT M24x2 H=30	8	8	8	8	8	8	8	8	8	8	8	8
12	WUBR24N002G	WASHER M24	12	12	12	12	20	20	20	12	12	12	20	20
13	WD8K90-2024SP3	SHOCK ABSORBER	2	2	2	2	2	2	2	2	2	2	2	2
14	WUS07337FST2	AIRSPRING Ø350 E1ST2	2	2	2	2	2	2	2	2	2	2	2	2
15	WC275344	SHOCKER BOLT M24x3x140	4	4	4	4	2	2	2	4	4	4	2	2
16	WC330081	NYLOC NUT M24x3	4	4	4	4	4	4	4	4	4	4	4	4
17	WUBB24N001Z	LOWER SHOCKER BOLT M24x3x250	-	-	-	-	2	2	2	-	-	-	2	2
18	N100605-001	CENTRE BOLT RING	2	2	2	2	2	2	2	2	2	2	2	2
19	WC401227G	PIVOT BOLT M27x186	2	2	2	2	2	2	2	2	2	2	2	2
20	WUBM27N006ZN	NYLOC NUT M27x2	2	2	2	2	2	2	2	2	2	2	2	2
21	WUT009A09G	WASHER 030/046	2	2	2	2	2	2	2	2	2	2	2	2
22	WC270602	BOLT M12x30	6	4	4	4	4	4	4	4	4	4	4	4
23	WC301348	WASHER M12	10	8	8	8	8	8	8	8	8	8	8	8
24	WC330021	LOCK NUT M12x10	4	4	4	4	4	4	4	4	4	4	4	4
25	WUT003A35K	OFFSET PLATE 30/50/95mm	-	2	2	2	2	2	2	2	2	2	2	2
25	WUT003A41K	OFFSET PLATE 56mm	2	-	-	-	-	-	-	-	-	-	-	-
26	WC464013	STUD M16x65-8.8 (85mm o/all length)	2	4	4	4	-	-	-	4	4	4	-	-
26	WC464014	STUD M16x45-8.8 (65mm o/all length)	-	-	-	-	4	4	4	-	-	-	4	4
27	WC330041ZN	LOCK NUT M16	2	4	4	4	4	4	4	4	4	4	4	4
28	WUBB16N013Z	SOCKET HEAD SCREW – M16x50	2	-	-	-	-	-	-	-	-	-	-	-
29	WN100603-004	AIRBAG TOP PLATE	2	2	-	-	-	-	-	2	-	-	-	-
30	WUT011A02A042	PEDESTAL C = 50	-	-	2	-	2	-	-	-	2	-	2	-
30	WUT011A02A067	PEDESTAL C = 75	-	-	-	2	-	2	-	-	-	2	-	-
30	WUT011A02A092	PEDESTAL C = 100	-	-	-	-	-	2	-	-	-	-	-	2
31	WUT996A17A	WELD-ON BRACE	2	2	2	2	2	2	2	2	2	2	2	2
-	WC234264	PIVOT BUSH - 11T - RUBBER/STEEL												
-	WC234387	PIVOT BUSH - 13T – STEEL/RUBBER/STEEL												