

ROADBOSS, ROADSTER AND ROADKING

12 MONTH
STRUCTURAL
GUARANTEE



SPECIFICATIONS:

RATING

174kN, 190kN, 260kN, D value

MECHANISM

Two piece jaw

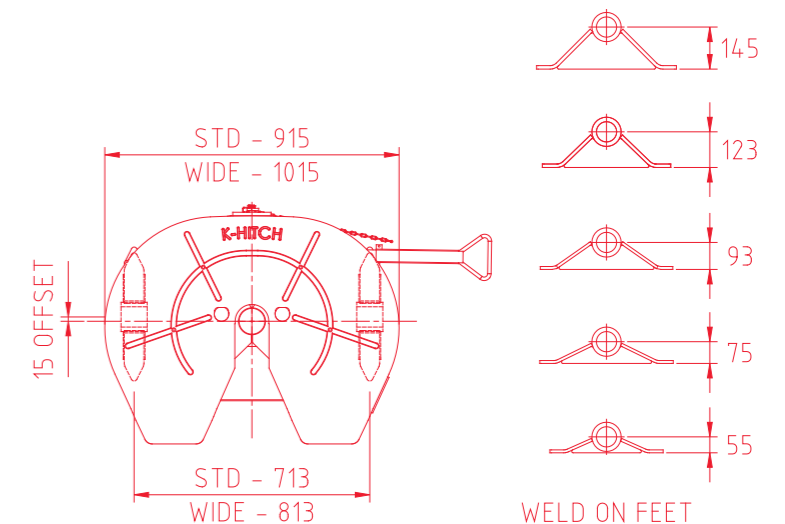
FEATURES:

- Fully fabricated from quality steel products
- Adjustable fifth wheel able to retrofit existing models
- Greaseless or standard top
- Available in 50mm and 90mm king pin sizes and a variety of mount heights
- Designed and manufactured to ISO 9001
- Complies with Australian Standard AS1773-1996
- Dynamically tested and approved to current Australian Design Rules
- Suitable for single trailer, B-Double, double and triple road trains including volume loading applications

The **K Hitch** fifth wheel: Roadboss, Roadster, Roadking

The heavy duty ranges of **FIFTH WHEELS** are complete with a two piece jaw design ensuring a tight and precise coupling between vehicle and trailer. Fully fabricated from quality steel, the heavy duty range was designed to meet Australia's harsh outback conditions on and off road. Suitable for single B-Double and triple road train applications including volume loading. Available in 50mm and 90mm jaws and a variety of mounting heights. Also available in environmentally friendly greaselss top and ballrace applications.

BALLRACE	BASE PLATE	1/2 MOON	HEIGHTS				
			128	148	166	196	218
60	16	12	216	236	254	284	306
60	16	16	220	240	258	288	310
90	16	12	246	266	284	314	336
90	16	16	250	270	288	318	340



Add 4mm to overall height for greaseless fifth wheels. **WARNING:** The 128 mount height is intended for use with ballrace assemblies only. Forward oscillation restriction may occur if used on a standard base plate.

A UV stabilised, high strength polyethelene material is used in greaseless models. It is environmentally friendly, reduces maintenance and provides easier steering.