



FUWA K HITCH (Australia) Pty Ltd

ABN 54 078 731 209

Head Office

Melbourne

13-21 Bliss Court
Derrimut VIC 3030
Tel. 03 9369 0000
Fax. 03 9369 0100

Queensland

41 Moreton
Heathwood Qld 4110
Tel. 07 3372 2223
Fax. 07 3372 1022

Perth

77B Kurnall Road
Welshpool WA 6106
Tel. 08 9350 6470
Fax. 08 9350 6570

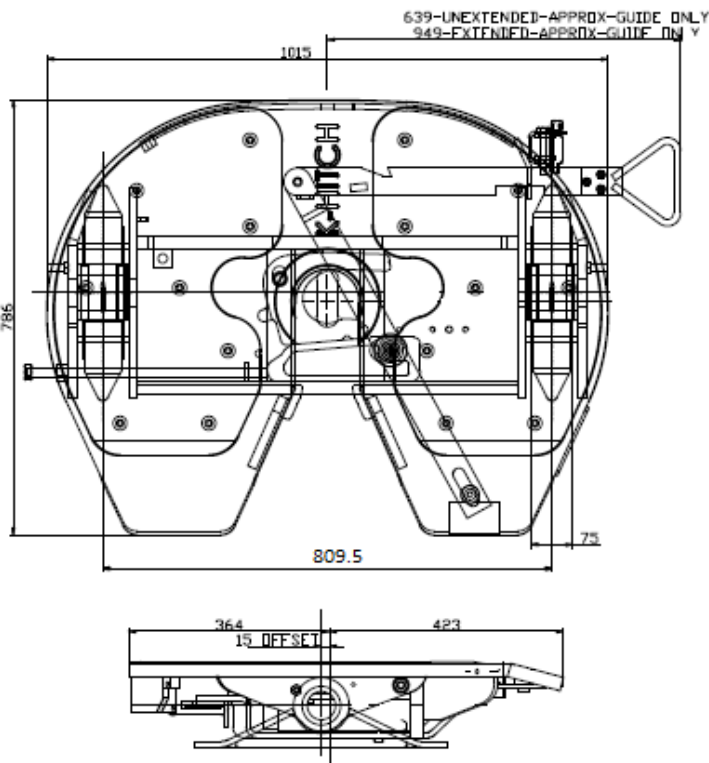
SALES SPEC SHEET

5th Wheel KA..D

The FUWA K Hitch KA 5th Wheel range is a **SINGLE-PIECE JAW** design, fully fabricated from high quality steel.

The adjustable design is available in two basic tops.

The very solid and durable construction is ideally suited for any heavy duty B-Double and Road Train applications.



Model Number	Model Name	Top Lube	Top Width	Weight (kg – no Feet)
KA11D90	Fleet Master 90	Grease-able	WIDE 1015mm	183
KA13D90		Grease-less		175

Note: These 5th Wheels can be supplied with a range of attachments.

- Base plates (drilled and undrilled)
- Ball Races (60mm & 90mm, Ø1000mm, Ø1100mm)
- Half moon plates

Mount Height (H) (mm)		D-Rating (kN)	Vertical Load (kg)	King Pin Size (mm)	CRN
Grease-able	Grease-less				
132	136	240	28,000	90	30639
152	156				
170	174				
200	204				
222	226				



FUWA K HITCH (Australia) Pty Ltd

ABN 54 078 731 209

Head Office

Melbourne

13-21 Bliss Court
Derrimut VIC 3030
Tel. 03 9369 0000
Fax. 03 9369 0100

Queensland

41 Moreton
Heathwood Qld 4110
Tel. 07 3372 2223
Fax. 07 3372 1022

Perth

77B Kurnall Road
Welshpool WA 6106
Tel. 08 9350 6470
Fax. 08 9350 6570

KA..D SERVICE INFORMATION

BULLETIN NUMBER	TOPIC	DESCRIPTION
KPW-002-0110	Warranty	Limitation of Liabilities
KPW-004-0110		LGL's
KPM-001-0110		Claim Form
KPA-005-0310	Installation	Foot Attachment
KPM-007-0310		Installation & Service Bulletin
KPS-005-1012	Parts	Parts View
KPM-007-0310	Maintenance	Installation & Service Bulletin

Bulletins:

All Bulletins are on: www.khitch.com.au

...or call FKH at your nearest location.

