



FUWA K HITCH (Australia) Pty Ltd

ABN 54 078 731 209

Head Office

Melbourne

13-21 Bliss Court
Derrimut VIC 3030
Tel. 03 9369 0000
Fax. 03 9369 0100

Queensland

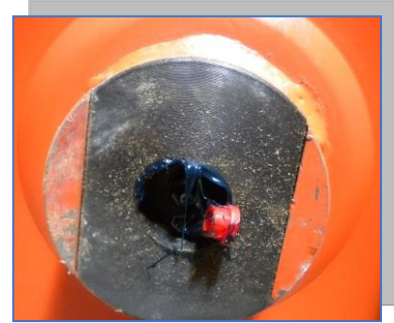
41 Moreton
Heathwood Qld 4110
Tel. 07 3372 2223
Fax. 07 3372 1022

Perth

77B Kurnall Road
Welshpool WA 6106
Tel. 08 9350 6470
Fax. 08 9350 6570

SALES SPEC SHEET

MECHANICAL SPRING SUSPENSION FW86

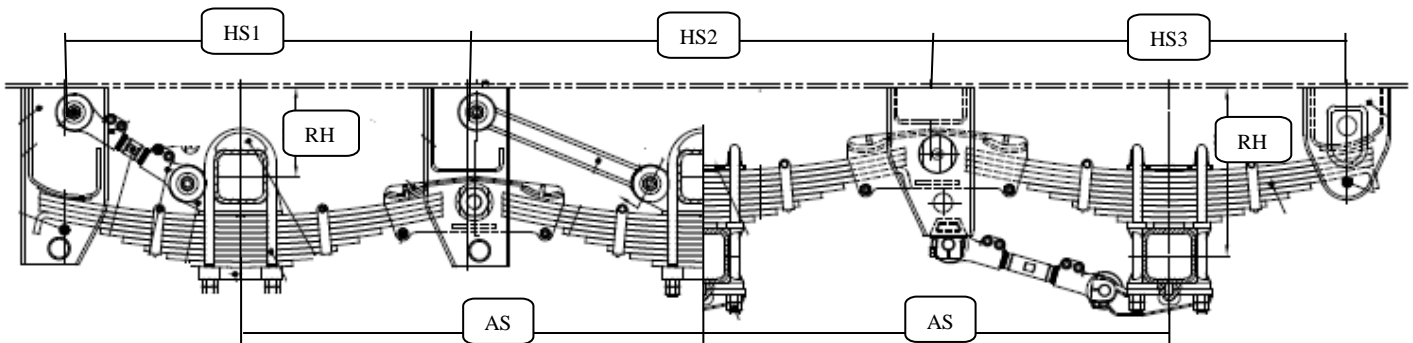


The 17t capacity FUWA K Hitch Mechanical Spring Suspension is following the tradition of tried and proven suspension designs.

The main components are made from high grade **fabricated steel** with special hard chromed rocker pins and “Vesconite” bushes.

UNDERSLUNG

OVERSLUNG



Model	Capacity per axle (kg)	Axle Spacing (mm)	Hanger Spacing 1 (mm)	Hanger Spacing 2 (mm)	Hanger Spacing 3 (mm)	Ride Height (mm)
FW86B.3/1300/250/CQ6 UNDERSLUNG	17,000	1300	1130	1300	1160	250
FW86B.3/1300/420/AQ6 OVERSLUNG	17,000	1300	1130	1300	1160	420

Note: Check the proper FKH engineering drawings for the precise dimensions.

Note: Upon request, there may be more variations available.



FUWA K HITCH (Australia) Pty Ltd

ABN 54 078 731 209

Head Office

Melbourne

13-21 Bliss Court

Derrimut VIC 3030

Tel. 03 9369 0000

Fax. 03 9369 0100

Queensland

41 Moreton

Heathwood Qld 4110

Tel. 07 3372 2223

Fax. 07 3372 1022

Perth

77B Kurnall Road

Welshpool WA 6106

Tel. 08 9350 6470

Fax. 08 9350 6570

MECHANICAL SPRING SUSPENSION SERVICE INFORMATION

BULLETIN NUMBER	TOPIC	DESCRIPTION
KPW-002-0110	Warranty	Limitation of Liabilities
KPW-004-0110		LGL's
KPM-001-0110		Claim Form
KPM-002-0310	Installation	Installation, Maintenance & Service Bulletin
KPS-001-0214	Parts	Parts View
KPM-002-0310	Maintenance	Installation, Maintenance & Service Bulletin

Bulletins:

All Bulletins are on: www.khitch.com.au

...or call FKH at your nearest location.

