



FUWA K HITCH (Australia) Pty Ltd

ABN 54 078 731 209

Head Office

Melbourne

13-21 Bliss Court

Derrimut VIC 3030

Tel. 03 9369 0000

Fax. 03 9369 0100

Queensland

41 Moreton

Heathwood Qld 4110

Tel. 07 3372 2223

Fax. 07 3372 1022

Perth

77B Kurnall Road

Welshpool WA 6106

Tel. 08 9350 6470

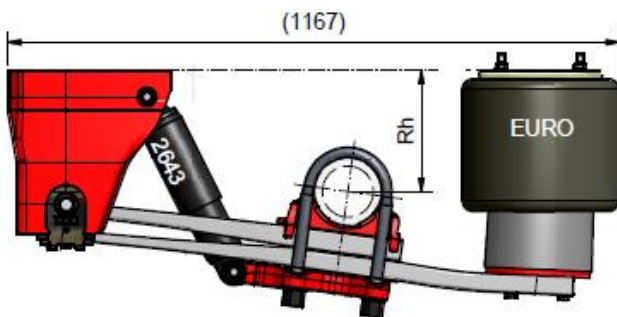
Fax. 08 9350 6570

SALES SPEC SHEET

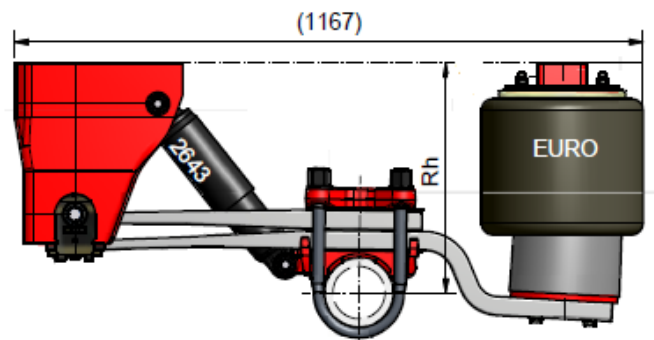
AIR SUSPENSION EURO



The **WEWELER** air suspension is proven design comprising of a flexible, high-strength forged spring steel trailing arm clamp to standard $\varnothing 127\text{mm}$ axles of any type wheel end configuration. The narrow hanger footprint allows for easy connection to chassis and also features an integrated shock absorber mounting. Rear mount shock absorbers are also available.



US



OS

Suspension Model	Capacity (t)	Axle mounting	Nominal Rh*	Rh Range*	System Mass** (kg)	RF Shock absorbers available***
EURO	9	US	235 310	205-270 280-345	186-196	Yes For front mount only
		OS	380 405 430 455 480	350-415 375-440 400-465 425-490 450-515	185-198	Yes For front mount only

Note: * The Nominal RH is the ideal RH for a given assembly. Check with FKH engineering 1st when using a RH from the Range.

** The System Mass is depending on the ride height and if that value is critical check with FKH 1st.

*** The rear mount shock option is available, but it is not RF



FUWA K HITCH (Australia) Pty Ltd

ABN 54 078 731 209

Head Office

Melbourne

13-21 Bliss Court
Derrimut VIC 3030
Tel. 03 9369 0000
Fax. 03 9369 0100

Queensland

41 Moreton
Heathwood Qld 4110
Tel. 07 3372 2223
Fax. 07 3372 1022

Perth

77B Kurnall Road
Welshpool WA 6106
Tel. 08 9350 6470
Fax. 08 9350 6570

EURO SERVICE INFORMATION

BULLETIN NUMBER	TOPIC	DESCRIPTION
KPW-002-0110	Warranty	Limitation of Liabilities
KPW-004-0110		LGL's
KPM-001-0110		Claim Form
1.2-14-07-2010 WM-A22 WM-C-DOC WM-A20	Installation	VDL Weweler Maintenance & Installation Manual Welding Instructions
KPS-002-1012	Parts	Parts View
1.2-14-07-2010	Maintenance	VDL Weweler Maintenance & Installation Manual

Bulletins:

All Bulletins are on: www.khitch.com.au

...or call FKH at your nearest location.

