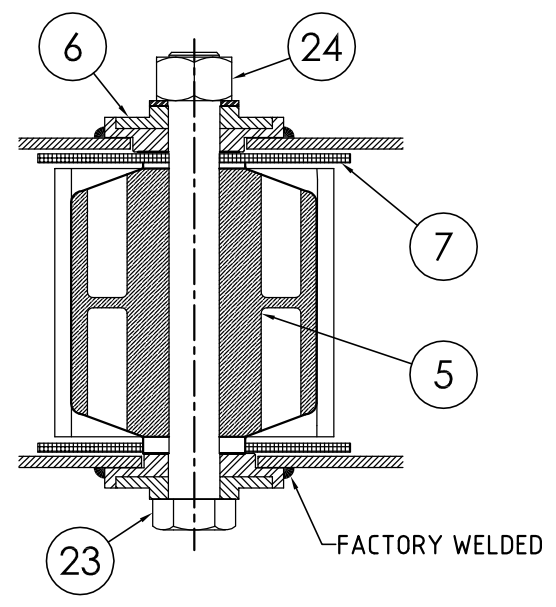
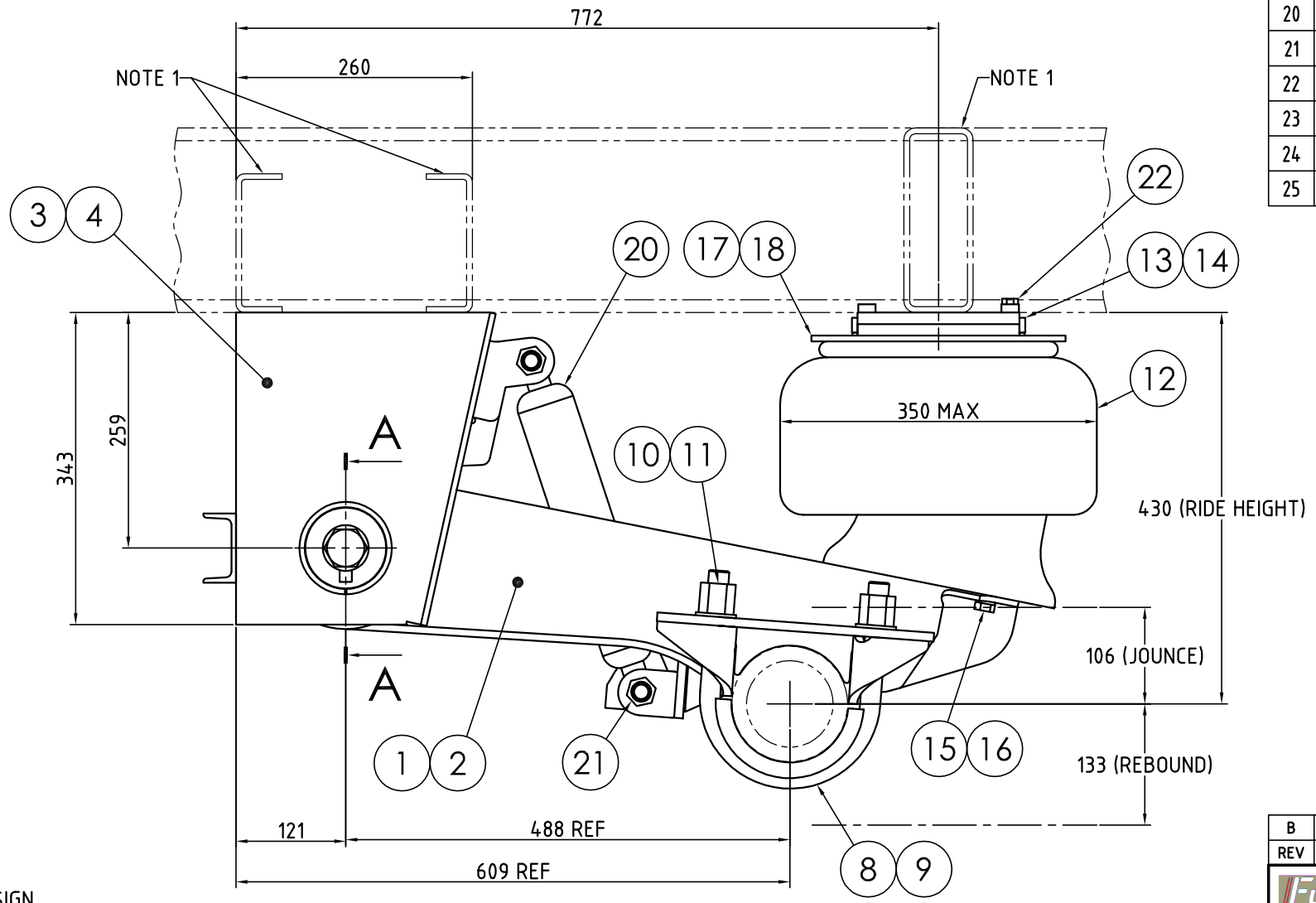
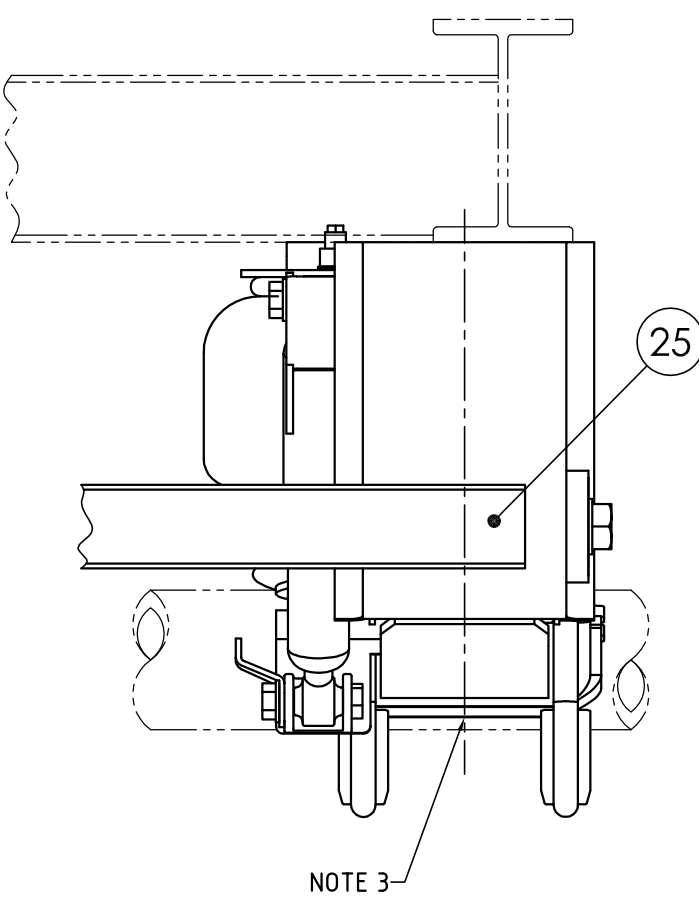
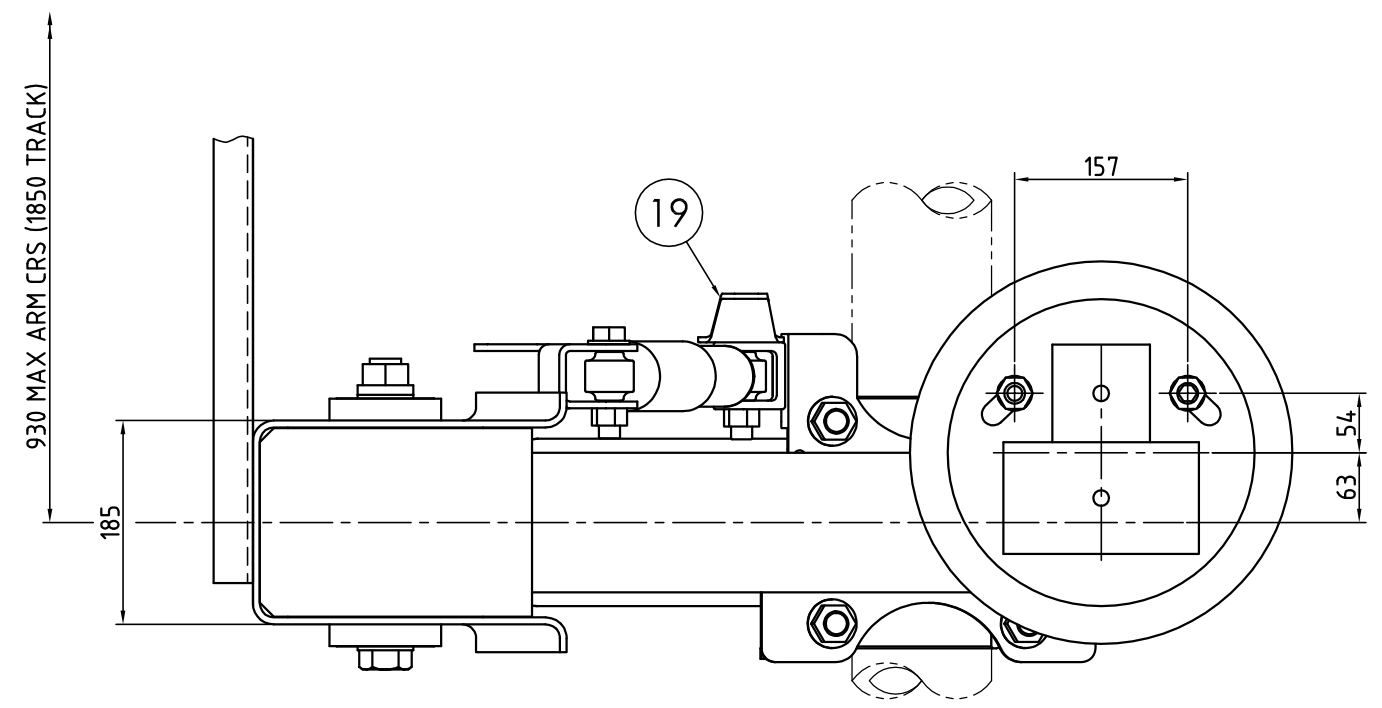




CERTIFICATION UNIT ID:
 SINGLE: SARN - 30236
 TANDEM: SARN - 30237
 TRIAXLE: SARN - 30238
 QUAD: SARN - 30239



SECTION A-A
 ADJUSTABLE ALIGNMENT COLLARS

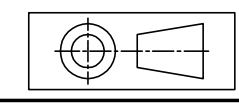
ITEM	MATERIAL / DESCRIPTION	PART No.	QTY
1	ARM ASSEMBLY - L.H	930164-11	1
2	ARM ASSEMBLY - R.H	930164-21	1
3	HANGER ASSEMBLY - L.H	920246-1WE5	1
4	HANGER ASSEMBLY - R.H	920246-2WE5	1
5	PIVOT BUSHING - MULTIFUNCTION	17993	2
6	COLLAR - ECCENTRIC	17234	2
7	SPACER WASHER (NYLON) - HANGER	17183	4
8	U-BOLT - 7/8" - 14x8	17184	4
9	SPACER - U-BOLT	17181	4
10	NUT, U-BOLT - 7/8"-14	17364	8
11	WASHER, HARDENED - 7/8"	17010	8
12	AIRSPRING - 1R13-155 GOODYEAR	AS-0107G	2
13	NUT, HEX - 3/4"	10025	4
14	WASHER, SPRING - 3/4"	10026	4
15	BOLT - 1/2"-13 x 1 1/4"	10174	4
16	WASHER, SPRING - 1/2"	10042	4
17	PLATE ASSEMBLY, L.H UPPER - AIRBAG	950167-10	1
18	PLATE ASSEMBLY, R.H UPPER - AIRBAG	950167-20	1
19	BRACKET - LEVEL VALVE ROD CONNECTION	30259	1
20	SHOCK ABSORBER	10147	2
21	SHOCK KIT - VERTICAL	16002	1
22	PLUG - 1/4" NPT	17628	2
23	BOLT - 1 1/8"-12 x 10 1/2"	17269	2
24	LOCKNUT	10023	2
25	CROSSMEMBER - 4"	12524	1

- NOTES:
1. SHOWN FOR REFERENCE PURPOSES ONLY, PROPER FRAME DESIGN AT SUSPENSION ATTACHMENT AREA IS THE RESPONSIBILITY OF INSTALLER.
 2. CAPACITY 25,000 lbs (11,340 Kg).
 3. REFER TO "WATSON & CHALIN TA-250 & TA-300 INSTALLATION MANUAL" FOR SEAT TO AXLE WELDING INSTRUCTIONS.

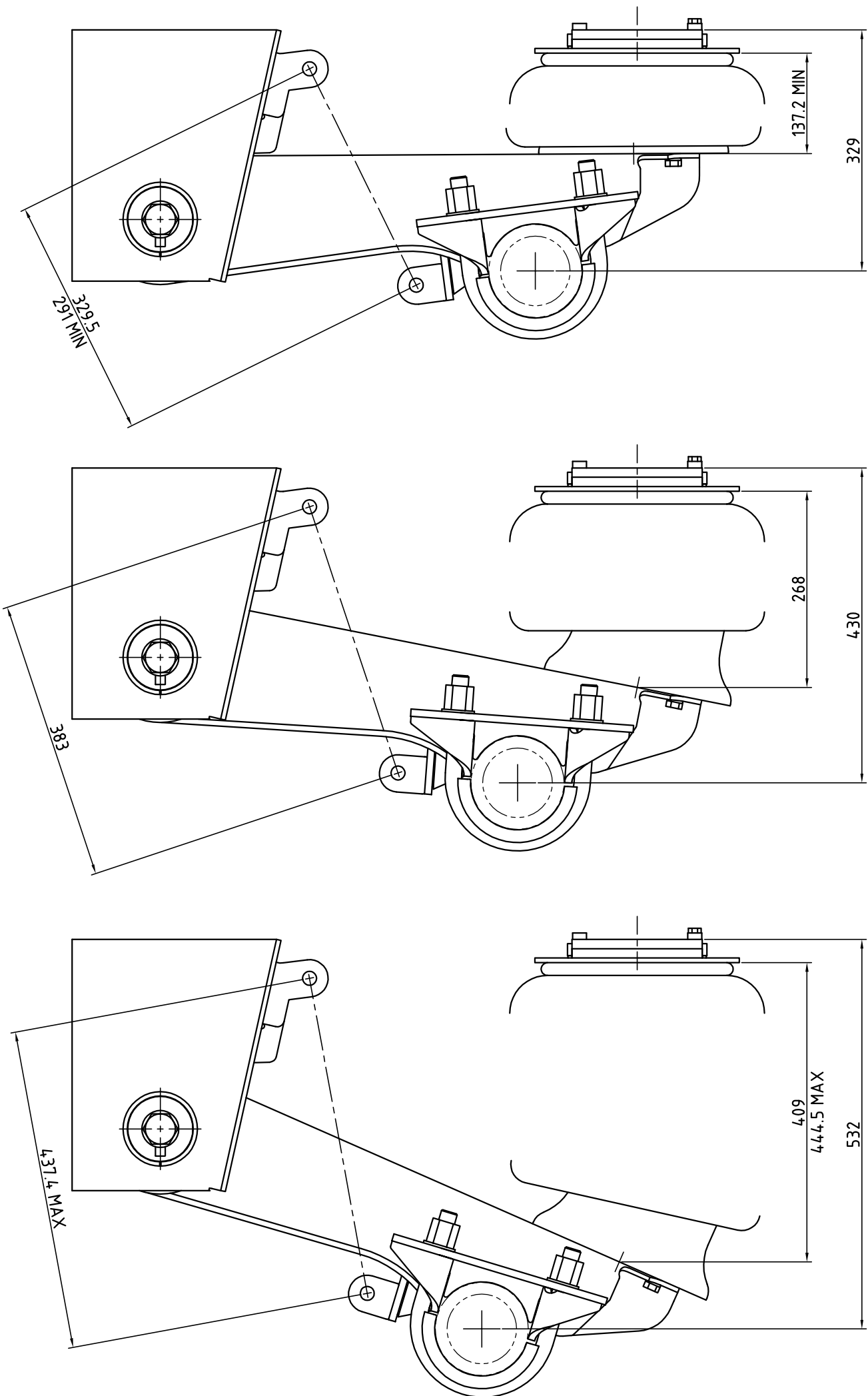
THIS DRAWING, AND ALL INFORMATION ON THIS DRAWING, IS THE PROPERTY OF FUWA K HITCH AUSTRALIA PTY. LTD. AND MAY NOT BE COPIED IN ANY WAY OR FORM WITHOUT THE WRITTEN CONSENT OF FUWA K HITCH AUSTRALIA PTY LTD.

DIMENSIONS IN MILLIMETRES

DO NOT SCALE



B	ADDED SHEET 2 - SUSPENSION OSCILLATION.	S.H	01.08.07
REV	DESCRIPTION / REVISION	INIT	DATE
FUWA K HITCH AUSTRALIA PTY. LTD. AIR SUSPENSION - OVERSLUNG WATSON & CHALIN TA-250-430 (W & C Reference: 120230)		DRAWN S.HUNT DATE 16.04.2007 CHECKED SCALE 1:5	
DRAWING NUMBER ASTA0002-01		REV B A2	
SHEET No: 1 OF 2			



329.5
291 MIN

137.2 MIN

329

383

268

430

437.4 MAX

409

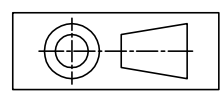
444.5 MAX



532

THIS DRAWING, AND ALL INFORMATION ON THIS DRAWING, IS THE PROPERTY OF FUWA K HITCH AUSTRALIA PTY. LTD. AND MAY NOT BE COPIED IN ANY WAY OR FORM WITHOUT THE WRITTEN CONSENT OF FUWA K HITCH AUSTRALIA PTY LTD.

DIMENSIONS IN MILLIMETRES

DO NOT SCALE



B	ADDED SHEET 2 - SUSPENSION OSCILLATION.	S.H	01.08.07
REV	DESCRIPTION / REVISION	INIT	DATE
		FUWA K HITCH AUSTRALIA PTY. LTD.	
		AIR SUSPENSION - OVERSLUNG WATSON & CHALIN TA-250-430 (W & C Reference: 120230)	
DRAWN	S.HUNT	DRAWING NUMBER	
DATE	16.04.2007	ASTA0002-01	
CHECKED		SHEET No: 2 OF 2	
SCALE	1:5	REV	B
			A2