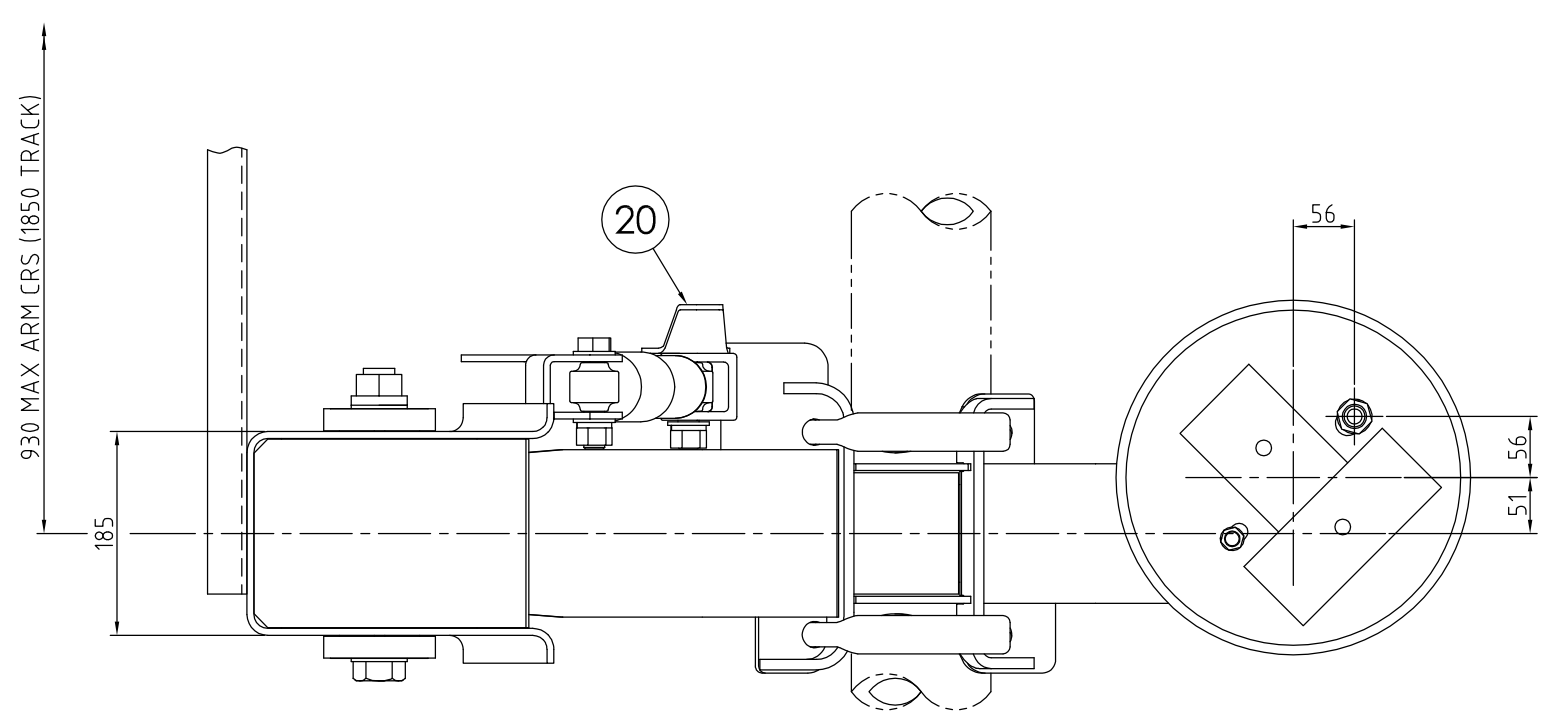
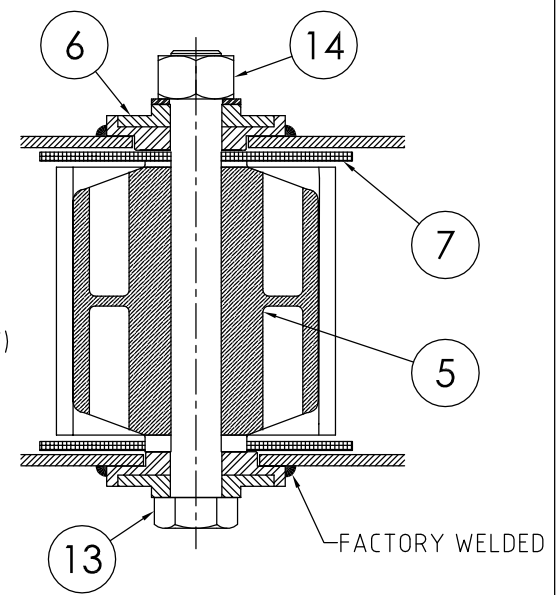
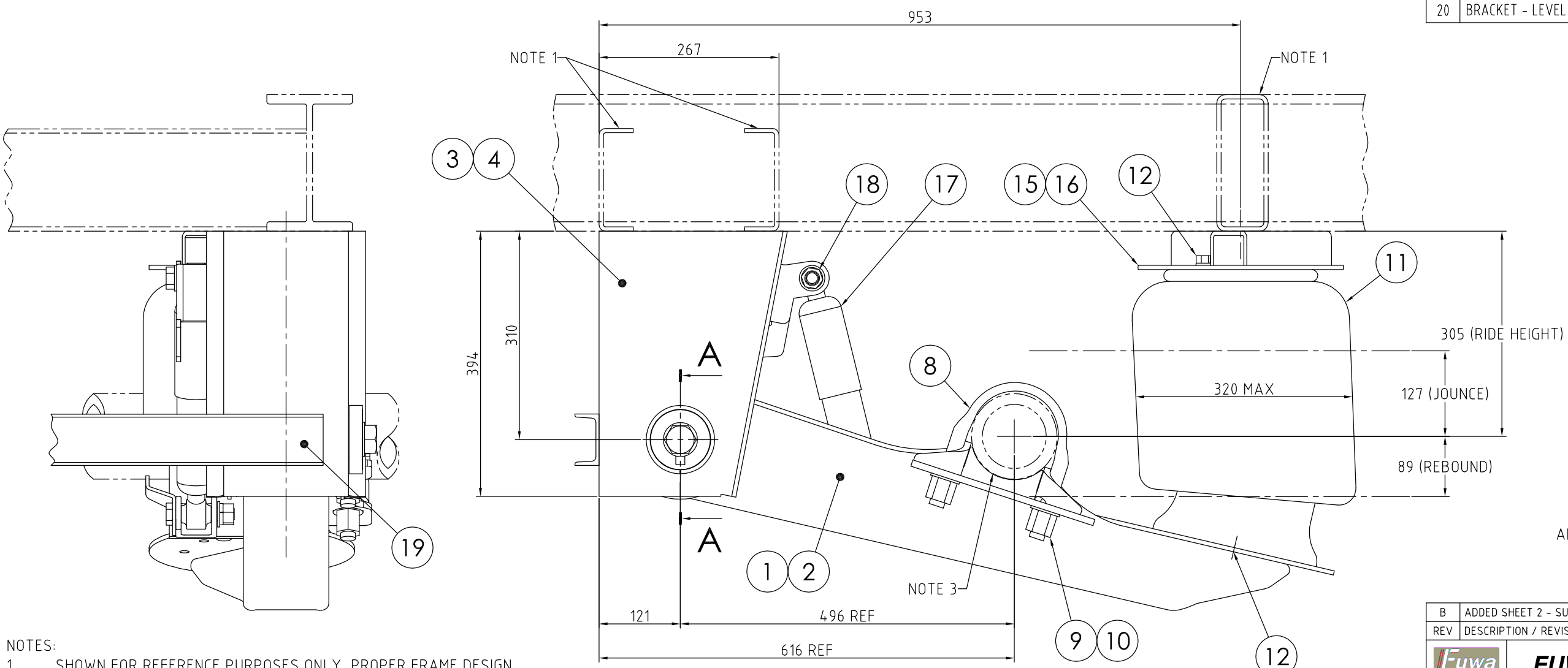




CERTIFICATION UNIT ID:
 SINGLE: SARN - 30236
 TANDEM: SARN - 30237
 TRIAXLE: SARN - 30238
 QUAD: SARN - 30239



ITEM	MATERIAL / DESCRIPTION	PART No.	QTY
1	ARM ASSEMBLY - L.H	930203-11	1
2	ARM ASSEMBLY - R.H	930203-21	1
3	HANGER ASSEMBLY - L.H	920251-1WE5	1
4	HANGER ASSEMBLY - R.H	920251-2WE5	1
5	PIVOT BUSHING - MULTIFUNCTION	17993	2
6	COLLAR - ECCENTRIC	17234	2
7	SPACER WASHER (NYLON) - HANGER	17183	4
8	U-BOLT - 7/8" - 14x8 5/8"	17477	4
9	NUT, U-BOLT - 7/8"-14	17364	8
10	WASHER, HARDENED - 7/8"	17010	8
11	AIRSPRING	AS-0061-1G	2
12	HARDWARE PACK - AIRSPRING	16067	1
13	BOLT - 1 1/8"-12 x 10 1/2"	17269	2
14	LOCKNUT	10023	2
15	PLATE ASSEMBLY, L.H UPPER - AIRBAG	950172-12	1
16	PLATE ASSEMBLY, R.H UPPER - AIRBAG	950172-22	1
17	SHOCK ABSORBER	17297	2
18	SHOCK KIT - VERTICAL	16002	1
19	CROSSMEMBER - 41"	12524	1
20	BRACKET - LEVEL VALVE ROD CONNECTION	30259	1



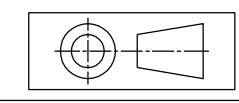
- NOTES:
1. SHOWN FOR REFERENCE PURPOSES ONLY, PROPER FRAME DESIGN AT SUSPENSION ATTACHMENT AREA IS THE RESPONSIBILITY OF INSTALLER.
 2. CAPACITY 25,000 lbs (11,340 Kg).
 3. REFER TO "WATSON & CHALIN TA-250 & TA-300 INSTALLATION MANUAL" FOR SEAT TO AXLE WELDING INSTRUCTIONS.

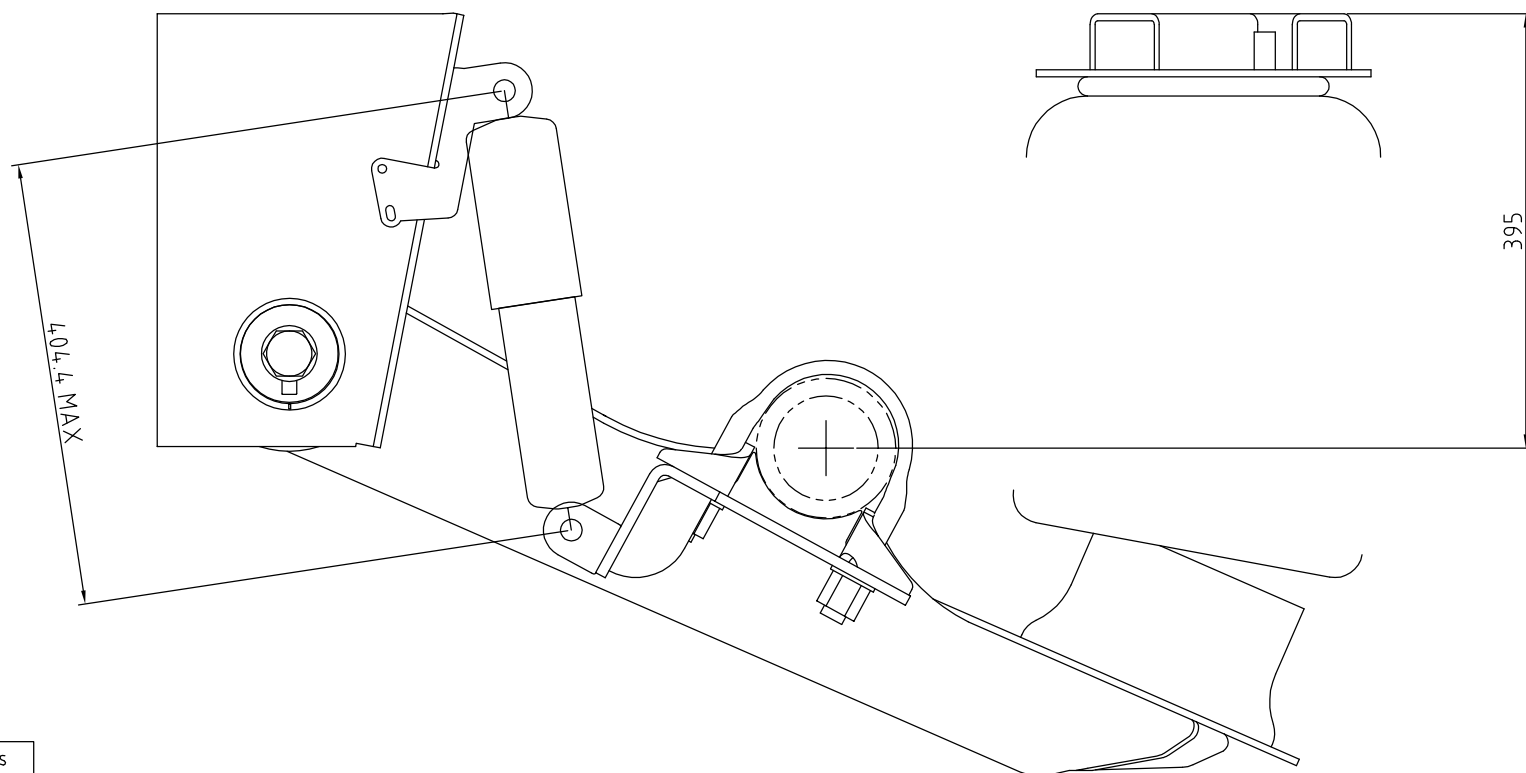
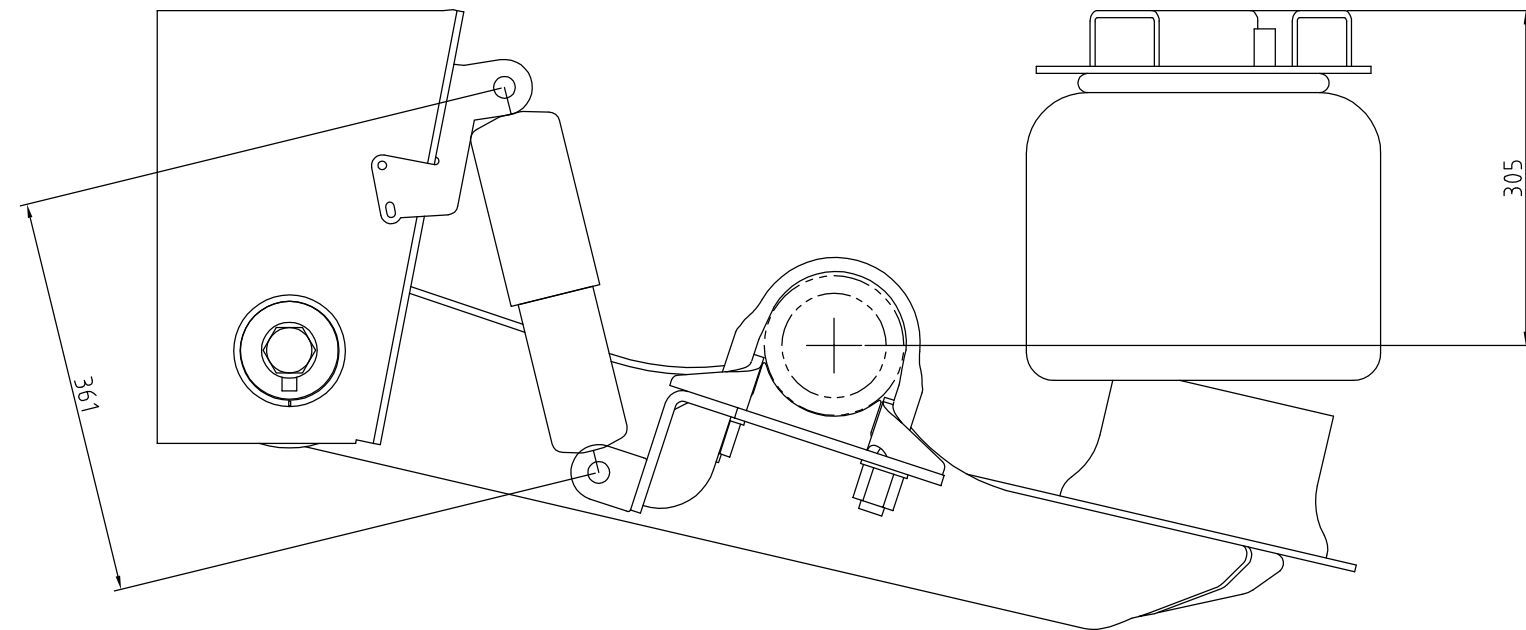
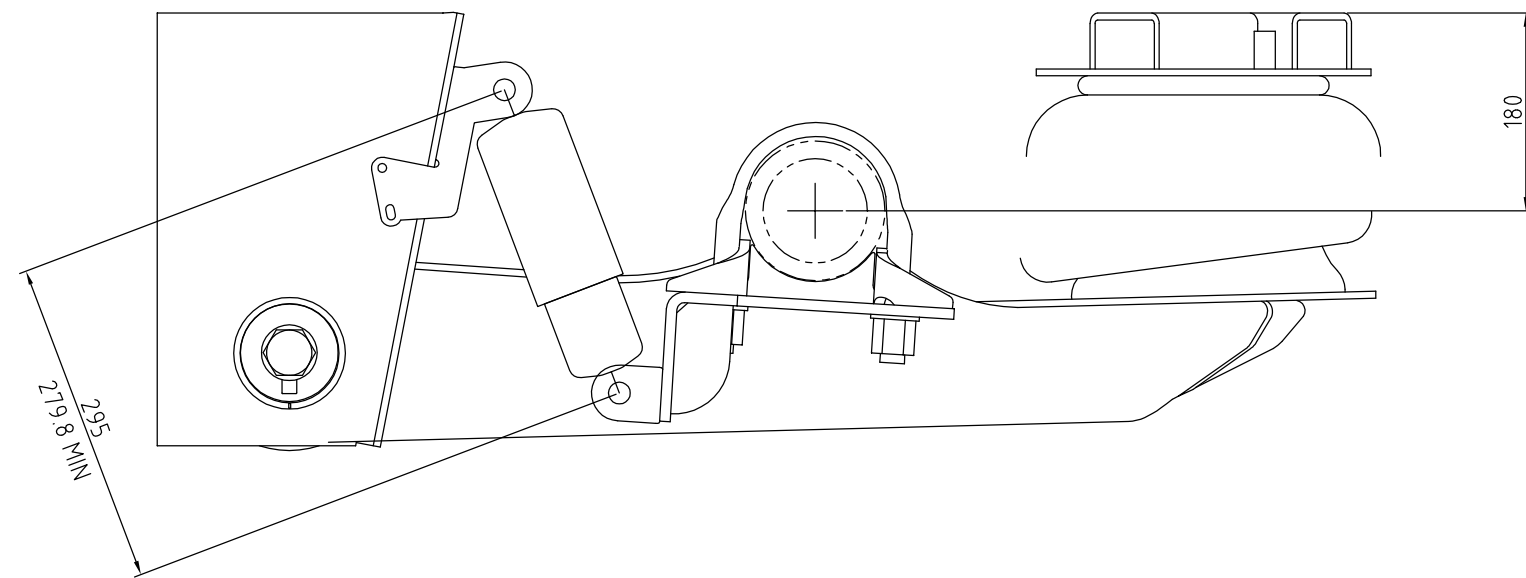
B	ADDED SHEET 2 - SUSPENSION OSCILLATION.	S.H	10.07.07
REV	DESCRIPTION / REVISION	INIT	DATE
FUWA K HITCH AUSTRALIA PTY. LTD. AIR SUSPENSION - UNDERSLUNG WATSON & CHALIN TA-250U-305 (W & C Reference: 120434)			
DRAWN	S.HUNT	DRAWING NUMBER	REV
DATE	16.04.2007	ASTA0006-01	B
CHECKED		SHEET No: 1 OF 2	A2
SCALE	1:5		

THIS DRAWING, AND ALL INFORMATION ON THIS DRAWING, IS THE PROPERTY OF FUWA K HITCH AUSTRALIA PTY. LTD. AND MAY NOT BE COPIED IN ANY WAY OR FORM WITHOUT THE WRITTEN CONSENT OF FUWA K HITCH AUSTRALIA PTY LTD.

DIMENSIONS IN MILLIMETRES

DO NOT SCALE





DIMENSIONS IN MILLIMETRES

DO NOT SCALE

RevNo	Revision note	Date	Signature	Checked

SPECIFICATIONS	
BORE: $\phi 52\text{mm}$	
BODY: $\phi 70\text{mm}$	
DUST TUBE: $\phi 83\text{mm}$	
EXTENDED LENGTH: 404.4mm	
COLLAPSED LENGTH: 279.8mm	
TENSILE STRENGTH: 66,000 N	
VALVE CODE: ZSR-5605-90 / (0-000000)S0365-46250-1-B2	
TEMPERATURE RANGE: 0-150°C	
RECOIL CUT-OFF: YES	
GAS: NO	
SEAL: VITON	
FLUID: SEMI-SYNTHETIC	
FINISH: BLACK	
WELD: 360° ARC WELDED	
WCTA-002 Fuwa K Hitch 17297 P398	IDENTIFICATION LABEL ON BODY.
END MOUNT TYPE	
UPPER: OD48 x 34mm WIDE - EYERING 360994	
LOWER: OD48 x 34mm WIDE - EYERING 360994	
MOUNT FITTINGS	
UPPER: ID19 x OD25 x 45mm WIDE STEEL SLEEVE + BUSH (CR197K)	
LOWER: ID19 x OD25 x 45mm WIDE STEEL SLEEVE + BUSH (CR197K)	
PACKAGING: FUWA K-HITCH TO ADVISE	
USAGE: FUWA K-HITCH TO ADVISE	

THE POW IS FORMED IN A RESTRICTED BASIS AND IS NOT TO BE USED IN ANY WAY WITHOUT THE WRITTEN CONSENT OF POWERDOWN AUSTRALIA	Drawn by DT	Checked by GC	Approved by - date	Filename P398	Date 27.6.2006	Scale N/A
POWERDOWN AUSTRALIA	AUST. TRAILER		Part Number P398	Material as specified	Sheet A4	

Form 05510396 Revision 0 Drawn on AutoCAD LT97

THIS DRAWING, AND ALL INFORMATION ON THIS DRAWING, IS THE PROPERTY OF FUWA K HITCH AUSTRALIA PTY. LTD. AND MAY NOT BE COPIED IN ANY WAY OR FORM WITHOUT THE WRITTEN CONSENT OF FUWA K HITCH AUSTRALIA PTY LTD.

B	ADDED SHEET 2 - SUSPENSION OSCILLATION.	S.H	10.07.07
REV	DESCRIPTION / REVISION	INIT	DATE
FUWA K HITCH AUSTRALIA PTY. LTD. AIR SUSPENSION - UNDERSLUNG WATSON & CHALIN TA-250U-305 (W & C Reference: 120434)			
DRAWN	S.HUNT	DRAWING NUMBER	REV
DATE	16.04.2007	ASTA0006-01	B
CHECKED			
SCALE	1:5	SHEET No: 2 OF 2	A2

