



# FUWA K HITCH (Australia) Pty Ltd

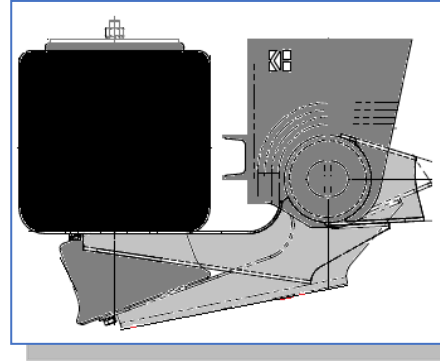
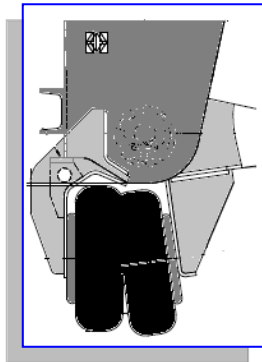
ABN 54 078 731 209

**Head Office  
Melbourne**  
13-21 Bliss Court  
Derrimut VIC 3030  
Tel. 03 9369 0000  
Fax. 03 9369 0100

**Queensland**  
41 Moreton  
Heathwood Qld 4110  
Tel. 07 3372 2223  
Fax. 07 3372 1022

**Perth**  
5 Freight Road  
Kenwick WA 6107  
Tel. 08 9350 6470  
Fax. 08 9350 6570

## SALES SPEC SHEET AXLE LIFT



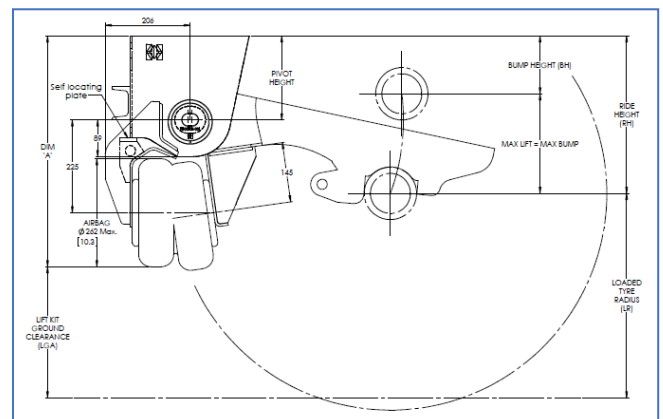
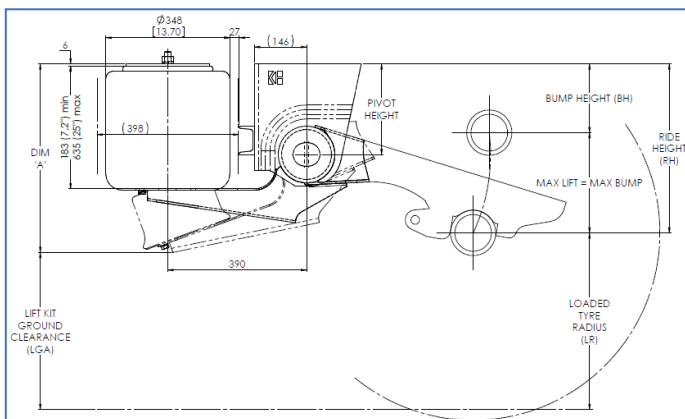
The **FUWA K Hitch** weld-on axle lift kits are developed for the KT air suspensions.

Together with the **FUWA K Hitch** air suspensions, they are a proven design operating successfully in different applications.

There are 2 options for the KT Over slung air suspensions.

**Single side lift: N100562-002**

**Dual side lift: N100562-012**





# FUWA K HITCH (Australia) Pty Ltd

ABN 54 078 731 209

## Head Office

### Melbourne

13-21 Bliss Court  
Derrimut VIC 3030  
Tel. 03 9369 0000  
Fax. 03 9369 0100

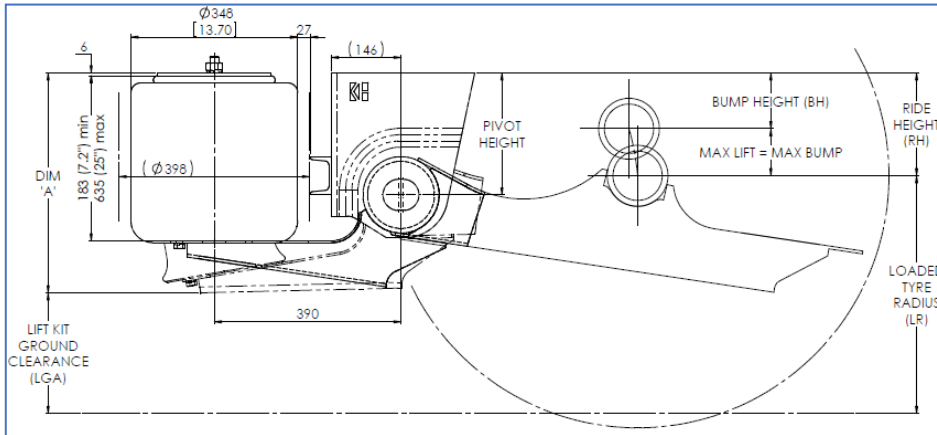
### Queensland

41 Moreton  
Heathwood Qld 4110  
Tel. 07 3372 2223  
Fax. 07 3372 1022

### Perth

5 Freight Road  
Kenwick WA 6107  
Tel. 08 9350 6470  
Fax. 08 9350 6570

## Under slung, single side lift: N100562-001



**Check with FKH engineering when selecting a lift kit!**

## AXLE LIFT SERVICE INFORMATION

BULLETIN NUMBER	TOPIC	DESCRIPTION
KPW-002-0110	Warranty	Limitation of Liabilities
KPW-004-0110		LGL's
KPM-001-0110		Claim Form
KPM-001-1213 KPM-001-0712	Installation	Axle Lift – Valve Load Setting Information FUWA Installation & Maintenance Manual
KPS-002-0619	Parts	Fuwa Parts List
KPM-001-0514	Maintenance	Fuwa Maintenance and Service Manual

### Bulletins:

All Bulletins are on: [www.khitch.com.au](http://www.khitch.com.au)

...or call FKH at your nearest location.