



# FUWA K HITCH (Australia) Pty Ltd

ABN 54 078 731 209

## Head Office

### Melbourne

13-21 Bliss Court  
Derrimut VIC 3026  
Tel. 03 9369 0000  
Fax. 03 9369 0100

## Queensland

41 Moreton  
Heathwood Qld 4110  
Tel. 07 3372 2223  
Fax. 07 3372 1022

## Perth

5 Freight Road  
Kenwick WA 6107  
Tel. 08 9350 6470  
Fax. 08 9350 6570

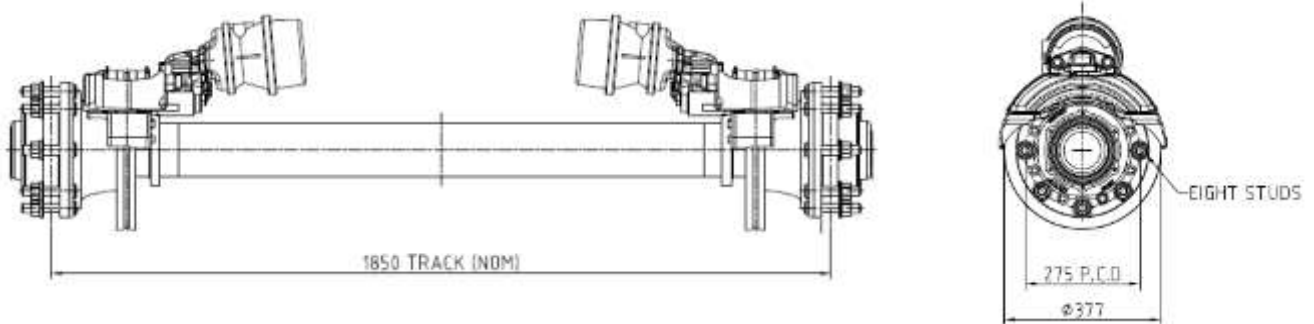
## SALES SPEC SHEET

# AXLE KF36



The K Hitch series of **ONE-PIECE FORGED AXLES** are available in a variety of configuration to suit most application.

The following model information is specific to the KF36, but features like induction hardened bearing journals, premium bearings and seals are standard to all FUWA K HITCH axles. The OE quality brake callipers are supplied by WABCO.



CAPACITY TON	BEARING TYPE	BRAKE TYPE	WHEEL END OPTIONS	TRACK
11.5t	TN UNITISED	WABCO PAN 19 Ø 377mm Rotor	8x275 – 19.5"	1820 1850
WEIGHT	ABS	AXLE BEAM SIZE	LUBE	SARN CTA
300KG*	Pole ring fitted Sensor mounting fitted	Ø127x15	GREASE (OIL ON REQUEST ONLY)	30241 CTA-030241

Note\*: Average weight, depending on specification



# FUWA K HITCH (Australia) Pty Ltd

ABN 54 078 731 209

## Head Office

### Melbourne

13-21 Bliss Court  
Derrimut VIC 3026  
Tel. 03 9369 0000  
Fax. 03 9369 0100

## Queensland

41 Moreton  
Heathwood Qld 4110  
Tel. 07 3372 2223  
Fax. 07 3372 1022

## Perth

5 Freight Road  
Kenwick WA 6107  
Tel. 08 9350 6470  
Fax. 08 9350 6570

## KK36 SERVICE INFORMATION

BULLETIN NUMBER	TOPIC	DESCRIPTION
KPW-002-0110	Warranty	Limitation of Liabilities
KPW-004-0110		LGL's
KPM-001-0110		Claim Form
KPM-001-0814	Installation	List of all Bulletins which are useful and may need to be referred to when installing a FKH axle. Application specific engineering drawings are available upon request.
KPS-001-0712	Parts	Parts View
KPM-004-0310 PAN19-1-Service Manual	Maintenance	In service maintenance

### Bulletins:

All Bulletins are on: [www.khitch.com.au](http://www.khitch.com.au)

...or call FKH at your nearest location.

