



FUWA K HITCH (Australia) Pty Ltd

ABN 54 078 731 209

**Head Office
Melbourne**
13-21 Bliss Court
Derrimut VIC 3030
Tel. 03 9369 0000
Fax. 03 9369 0100

Queensland
41 Moreton
Heathwood Qld 4110
Tel. 07 3372 2223
Fax. 07 3372 1022

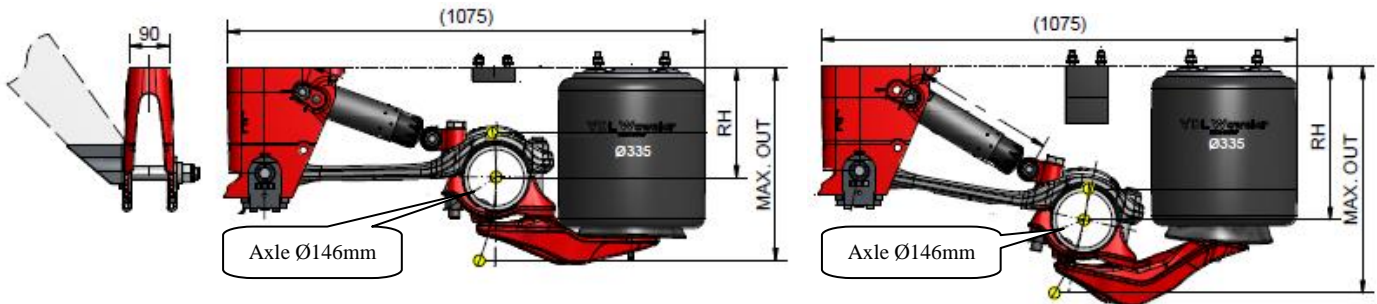
Perth
77B Kurnall Road
Welshpool WA 6106
Tel. 08 9350 6470
Fax. 08 9350 6570

SALES SPEC SHEET

AIR SUSPENSION MBS



This **WEWELER** air suspension is the latest design in weld-free clamp to the axle technology. Comprising of a flexible, high-strength forged spring steel trailing arm and an innovative bolt-on air spring mounting seats, which are adaptable for different ride heights and off-sets.



MBS-100

MBS-200

Suspension Model	Capacity (t)	Ride Heights (mm)	MAX.OUT (mm)	Mass (kg)	RFS shock absorbers available
MBS-111	9	210-320	430	132.3	Yes
MBS-121		240-320		132.7	
MBS-131		270-320		133.1	
MBS-211	9	310-410	510	137.7	Yes
MBS-221		340-410		138.1	
MBS-231		360-410		138.3	



FUWA K HITCH (Australia) Pty Ltd

ABN 54 078 731 209

**Head Office
Melbourne**
13-21 Bliss Court
Derrimut VIC 3030
Tel. 03 9369 0000
Fax. 03 9369 0100

Queensland
41 Moreton
Heathwood Qld 4110
Tel. 07 3372 2223
Fax. 07 3372 1022

Perth
77B Kurnall Road
Welshpool WA 6106
Tel. 08 9350 6470
Fax. 08 9350 6570

MBS SERVICE INFORMATION

BULLETIN NUMBER	TOPIC	DESCRIPTION
KPW-002-0110	Warranty	Limitation of Liabilities
KPW-004-0110		LGL's
KPM-001-0110		Claim Form
WSM-MBS-EN	Installation	VDL Weweler Maintenance & Installation Manual
KPS-001-0813	Parts	Parts View
WSM-MBS-EN	Maintenance	VDL Weweler Maintenance & Installation Manual

Bulletins:

All Bulletins are on: www.khitch.com.au

...or call FKH at your nearest location.

